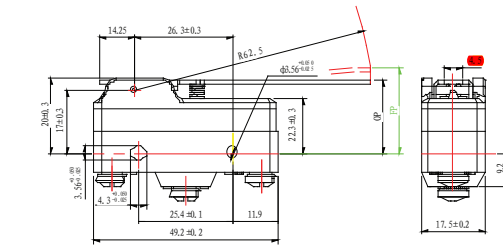


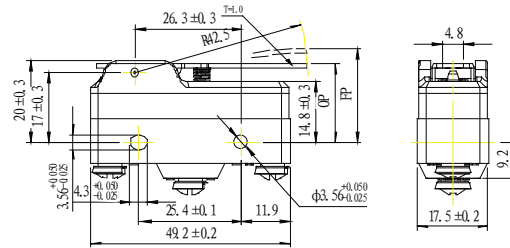
BZC-2RW80-A2



Operating Characteristics

- OF_{max} 0.69N
- RF_{min} 0.14N
- OT_{min} 5.6mm
- MD_{max} 2mm
- FP_{max} 28.2mm
- OP 19.05±0.8mm

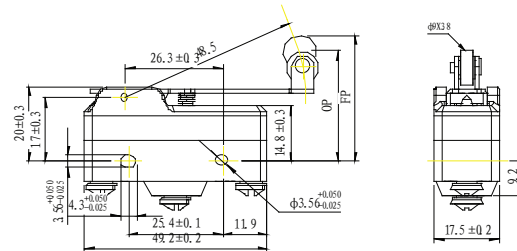
BZC-2RW876T



Operating Characteristics

- OF_{max} 1.03N
- RF_{min} 0.21N
- OT_{min} 3.7mm
- MD_{max} 0.85mm
- FP_{max} 24.5mm
- OP 19.05±0.5mm

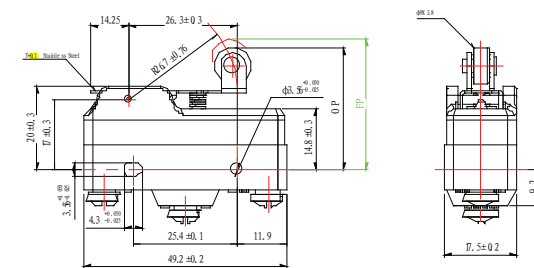
BZC-2RW82-A2



Operating Characteristics

- OF_{max} 0.98N
- RF_{min} 0.21N
- OT_{min} 4mm
- MD_{max} 1.02mm
- FP_{max} 36.5mm
- OP 30.2±0.8mm

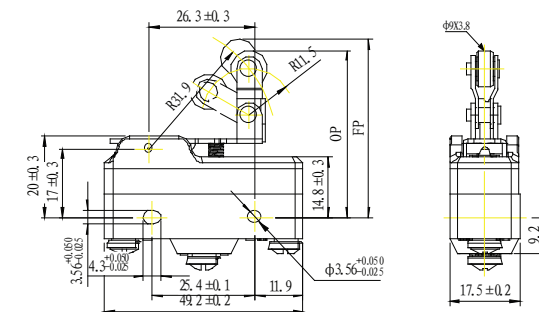
BZC-2RW822-A2



Operating Characteristics

- OF_{max} 1.67N
- RF_{min} 0.42N
- OT_{min} 2.4mm
- MD_{max} 0.8mm
- FP_{max} 32.5mm
- OP 30.2±0.4mm

BZC-2RW826-A2



Operating Characteristics

- OF_{max} 1.67N
- RF_{min} 0.41N
- OT_{min} 2.4mm
- MD_{max} 0.8mm
- FP_{max} 43.5mm
- OP 41.3±0.8mm