

Warning

external warning devices

Belle

INDUSTRIAL / COMMERCIAL / RESIDENTIAL

External sounder with strobe

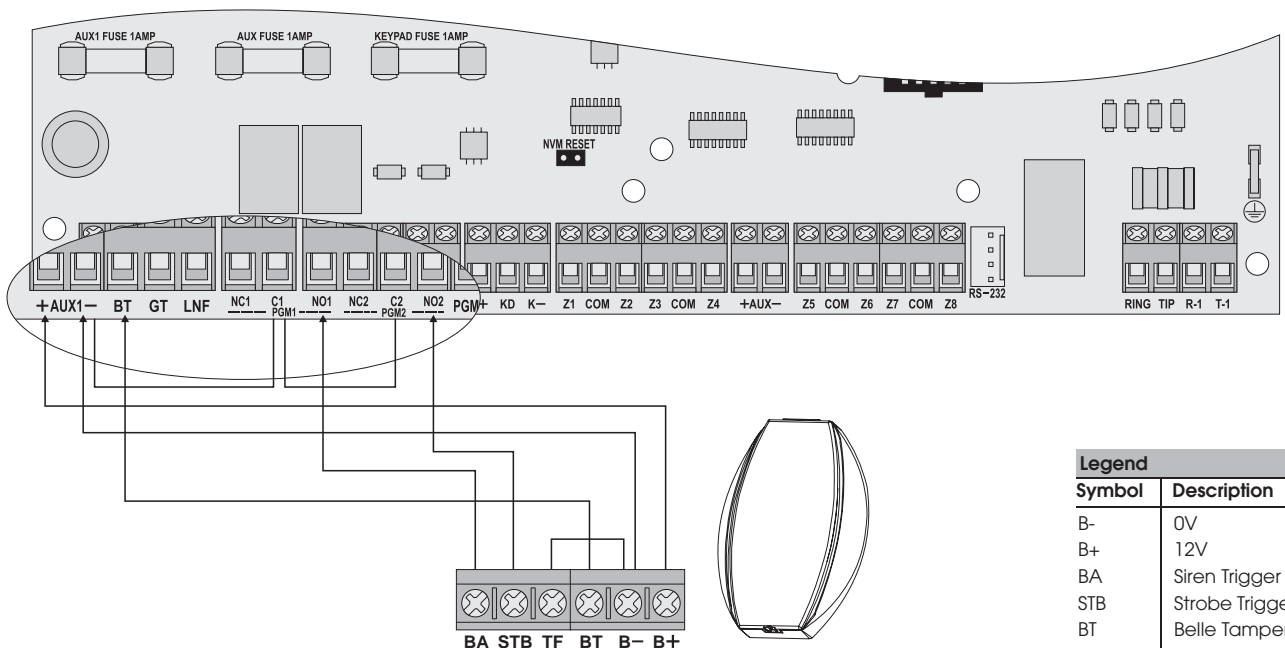
Main Features

- Twin piezo sounders with 118dBa at 1m
- 3 Way tamper action
- Negative and positive triggering inputs
- Dual skin 3mm polycarbonate housing
- Various colour combinations available
- Supplied with rechargeable battery



Product Features

Features	Benefits
Twin Piezo Sounders with high decibel output	118dBa output at 1m. The Belle is also able to function on a single piezo.
Easy mounting and connections	All covers can be removed and reattached elsewhere on the Belle, saving installation time
Supplied with 7.2v NiMH battery	The Belle comes complete with backup battery so that even in the event of a intruder sabotage, the bell box will still operate and protect the property.
3 Way tamper action	Activation from front, back and power supply cut off ensures protection from sabotage attempts. In this situation, the siren will activate independently of the control panel.
Siren cut-off timer	The cut off timer is defaulted to 15 minutes to meet industry regulations.
3mm polycarbonate housing (transparent base, translucent lid)	Enables a panoramic strobe effect illuminating the full bellbox



Legend	
Symbol	Description
B-	0V
B+	12V
BA	Siren Trigger
STB	Strobe Trigger
BT	Belle Tamper
TF	Tamper Feed

Warning Devices

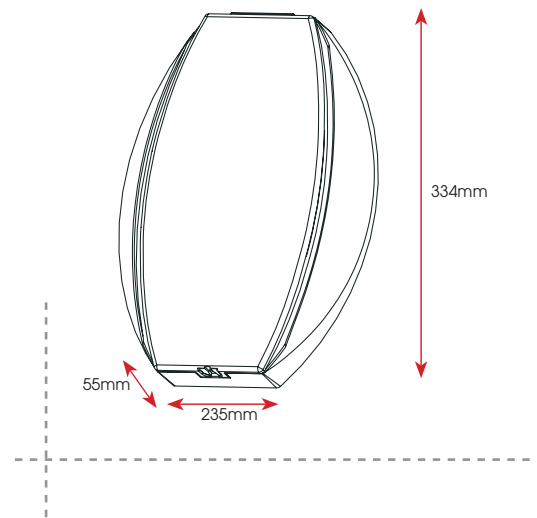


Electrical

Operating Voltage	
	10 - 14.5Vdc (13.8V nominal)
	Reverse polarity protected
Current Consumption	
Stand by (alternate flashing)	65mA typical (+10mA for backup battery)
Strobe only	175mA typical
Siren only	230mA typical
Siren and strobe	480mA typical
SCB Mode	70mA typical
Siren output (dBA)	
Maximum peak	118dBA@1m
SCB Mode	108dBA@1m
Strobe	
Flash rate	120/min typical (30/min typical SCB mode)
Tube size	3 Watt
Tamper protection	
	Activation from front, back and power supply cut off
Input actuation	
	Strobe and siren, switched negative or positive
Siren cut off timer	
	Test <5 seconds
	Normal <15 minutes
Backup Battery	
	NiMH 320 mA 7.2 V (included)
	30 min continuous use
Case material	
Base	3mm polycarbonate polished transparent material with frosted texture. Available in clear, blue, red or green
Lid	3mm polycarbonate polished translucent material with frosted texture. Available in white, blue, red or yellow
Environmental	
Operating Temperature	-10°C to 50°C
Storage Temperature	-20°C to 60°C

Weights and dimensions

Weight 1.05Kg



Optional Accessory

Product Name	Description	Pyronix Product Code
Metal Shroud	Enables installation on premises where the bell box may be more vulnerable or mounted lower on the property.	FP04070

COMPLIANCE	PYRONIX PRODUCT CODE
Europe CE	FP04002C

PACKING INFORMATION	
Min Pack:	10
Pack Weight:	12 kg
Accessories:	See above
Warranty:	1 Year
Manufactured:	UK

As part of the continued development programme
specifications may change.

Matrix, PCX, Sterling, Vocaliser, KX, Colt, ME, Magnum, Kudos, Octopus,
Eclipse, Veritec, Break Glass 2000, Twin Alert, Belle and Decibell are all
trade marks of Pyronix Ltd