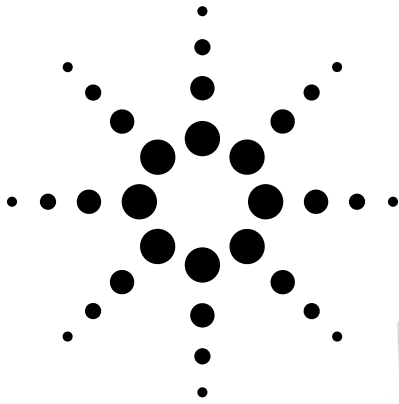


Agilent HSMx-A4xx-xxxxx SMT LED Surface Mount LED Indicator Data Sheet



Description

Agilent Power PLCC-4 is an extension of our PLCC-2 SMT LEDs. The package can be driven at higher current due to its superior package design. The product is able to dissipate heat more efficiently compared to the conventional PLCC-2 SMT LEDs. In proportion to the increase in driving current, this family of LEDs is able to produce higher light output compared to the conventional PLCC-2 SMT LEDs.

These SMT LEDs have higher reliability and better performance and are designed to work under a wide range of environmental conditions. This higher reliability makes them suitable for use under harsh environment and conditions like automotive. In addition, they are also suitable to be used in electronic signs and signals.

To facilitate easy pick and place assembly, the LEDs are packed in EIA-compliant tape and reel. Every reel will be shipped in single intensity and color bin (except for red color), to provide close uniformity.

These LEDs are compatible with IR solder reflow process. Due to the high reliability feature of these products, they also can be mounted using through-the-wave soldering process.

There are a variety of colors and various viewing angles (30°, 60° and 120°) available in these SMT LEDs. Ideally, the 30° parts are suitable for light piping where focused intensities are required. As for the 60° and 120°, they are most suitable for automotive interior and exterior lighting and electronic signs applications.

Features

- Industry standard PLCC-4
- High reliability LED package
- High brightness using AlInGaP and InGaN dice technologies
- High optical efficiency
- Higher ambient temperature at the same current possible compared to PLCC-2
- Available in full selection of colors
- Super wide viewing angle at 120°
- Available in 8mm carrier tape on 7-inch reel
- Compatible with both IR and TTW soldering process

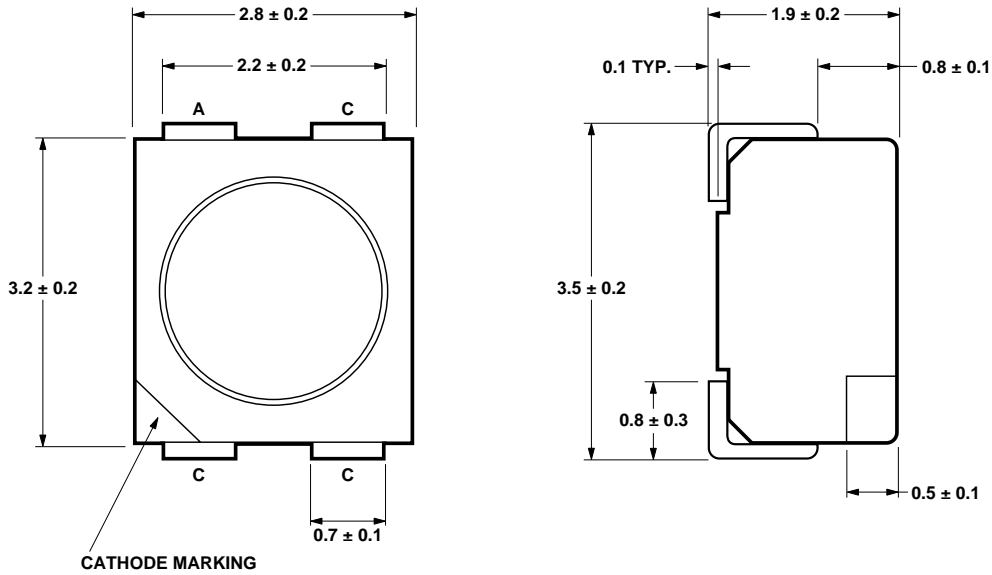
Applications

- Interior automotive
 - Instrument panel backlighting
 - Central console backlighting
 - Cabin backlighting
 - Navigation and audio system
 - Dome lighting
 - Push button backlighting
- Exterior automotive
 - Turn signals
 - CHMSL
 - Rear combination lamp
 - Puddle light
- Electronic signs and signals
 - Interior full color sign
 - Variable message sign
- Office automation, home appliances, industrial equipment
 - Front panel backlighting
 - Push button backlighting
 - Display backlighting

CAUTION: HSMN-, HSMK-, HSM-A40x-xxxxx LEDs are Class 2 ESD sensitive. Please observe appropriate precautions during handling and processing. Refer to Agilent Application Note AN-1142 for additional details.



Package Dimensions



NOTE: ALL DIMENSIONS IN mm.

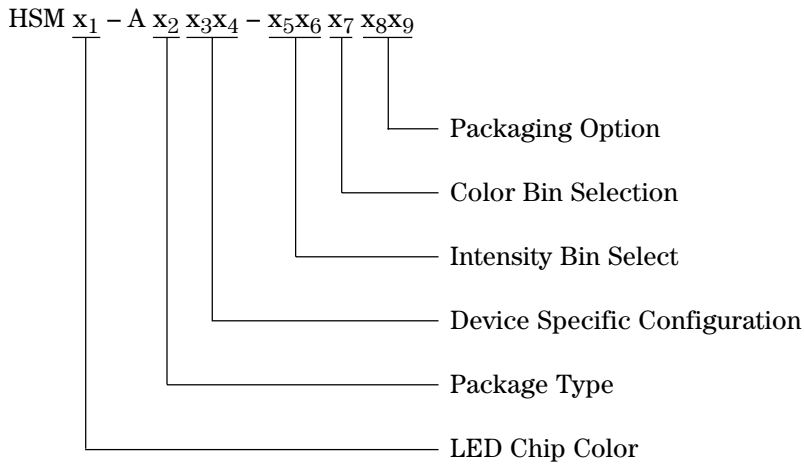
Device Selection Guide

Color	Part Number	Min. I_v (mcd)	Max. I_v (mcd)	Test Current (mA)	Dice Technology
Red	HSMC-A400-S30M1	160.0	400.0	50	AllInGaP
	HSMC-A401-T40M1	250.0	800.0	50	AllInGaP
	HSMC-A401-T80M1	310.0	1000.0	50	AllInGaP
	HSMZ-A400-U80M1	500.0	1600.0	50	AllInGaP
Red Orange	HSMJ-A401-T40M1	250.0	800.0	50	AllInGaP
	HSMJ-A401-U40M1	400.0	1260.0	50	AllInGaP
	HSMV-A400-U80M1	500.0	1600.0	50	AllInGaP
Orange	HSML-A401-U40M1	400.0	1260.0	50	AllInGaP
Amber	HSMA-A400-T35M1	250.0	630.0	50	AllInGaP
	HSMA-A401-U45M1	400.0	1260.0	50	AllInGaP
	HSMU-A400-U85M1	500.0	1600.0	50	AllInGaP
Emerald Green	HSME-A401-P4PM1	40.0	130.0	50	AllInGaP
Green	HSMM-A401-R7YM2	120.0	320.0	30	InGaN
	HSMM-A401-S4YM2	160.0	500.0	30	InGaN
	HSMM-A401-S7YM2	200.0	500.0	30	InGaN
	HSMM-A400-T8YM2	310.0	1000.0	30	InGaN
Cyan	HSMK-A401-R40M2	100.0	320.0	30	InGaN
	HSMK-A400-T80M2	310.0	1000.0	30	InGaN
Blue	HSMN-A401-P4QM2	40.0	130.0	30	InGaN
	HSMN-A401-P7QM2	50.0	130.0	30	InGaN
	HSMN-A400-Q8QM2	80.0	250.0	30	InGaN

Note:

1. The luminous intensity, I_v , is measured at the mechanical axis of the lamp package. The actual peak of the spatial radiation pattern may not be aligned.

Part Numbering System



Absolute Maximum Ratings (T_A = 25°C)

Parameters	HSMC/J/L/A/E	HSMZ/V/U	HSMM/K/N
DC Forward Current ^[1]	70 mA ^[3,4]	70 mA ^[3,4]	30 mA
Peak Forward Current ^[2]	200 mA	200 mA	90 mA
Power Dissipation	180 mW	240 mW	114 mW
Reverse Voltage		5 V	
Junction Temperature		110°C	
Operating Temperature		-40°C to +100°C	
Storage Temperature		-40°C to +100°C	

Notes:

1. Derate linearly as shown in figure 5.
2. Duty factor = 10%, Frequency = 1 kHz.
3. Drive current between 10 mA and 70 mA is recommended for best long-term performance.
4. Operation at currents below 5 mA is not recommended.

Optical Characteristics (T_A = 25°C)

Color	Part Number	Peak Wavelength λ_{PEAK} (nm) Typ.	Dominant Wavelength λ_D ^[1] (nm) Typ.	Viewing Angle $2\theta_{1/2}$ ^[2] (Degrees) Typ.	Luminous Efficacy η_v ^[3] (lm/W) Typ.	Luminous Intensity/ Total Flux I_v (mcd)/ Φ_v (mlm) Typ.
Red	HSMC	635	626	120	150	0.45
	HSMZ	639	630	120	155	0.45
Red Orange	HSMJ	621	615	120	240	0.45
	HSMV	623	617	120	263	0.45
Orange	HSML	609	605	120	320	0.45
Amber	HSMA	592	590	120	480	0.45
	HSMU	594	592	120	500	0.45
Yellow Green	HSME	576	575	120	560	0.45
Emerald Green	HSME	568	567	120	610	0.45
Green	HSMH	518	525	120	500	0.45
Cyan	HSMK	502	505	120	300	0.45
Blue	HSMN	468	470	120	75	0.45

Notes:

1. The dominant wavelength, λ_D , is derived from the CIE Chromaticity Diagram and represents the color of the device.
2. $\theta_{1/2}$ is the off-axis angle where the luminous intensity is 1/2 the peak intensity.
3. Radiant intensity, I_e in watts/steradian, may be calculated from the equation $I_e = I_v/\eta_v$, where I_v is the luminous intensity in candelas and η_v is the luminous efficacy in lumens/watt.

Electrical Characteristics (T_A = 25°C)

Part Number	Forward Voltage V_F (Volts) @ $I_F = 50$ mA		Reverse Voltage V_R @ 100 μ A
	Typ.	Max.	Min.
HSMC/J/L/A/E	2.2	2.5	5
HSMZ/V/U	2.8	3.4	5

Part Number	Forward Voltage V_F (Volts) @ $I_F = 30$ mA		Reverse Voltage V_R @ 10 μ A
	Typ.	Max.	Min.
HSMH/K/N	3.8	4.6	5

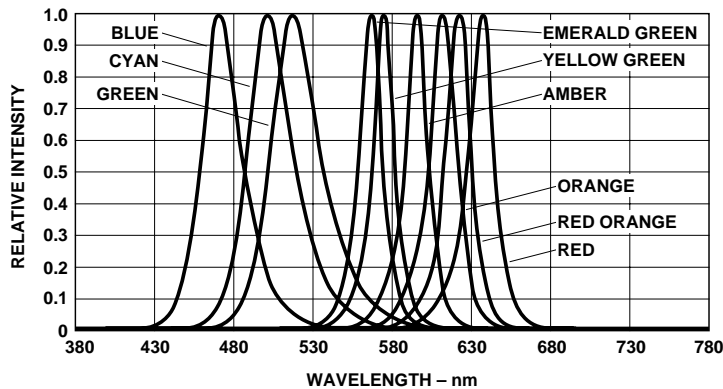


Figure 1. Relative Intensity Vs. Wavelength.

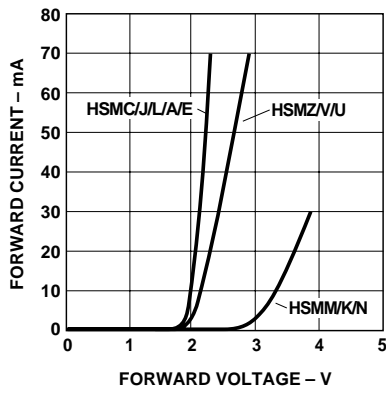


Figure 2. Forward Current Vs. Forward Voltage.

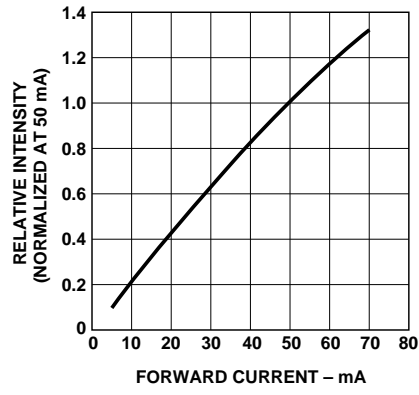


Figure 3. Relative Intensity Vs. Forward Current (AlInGaP).

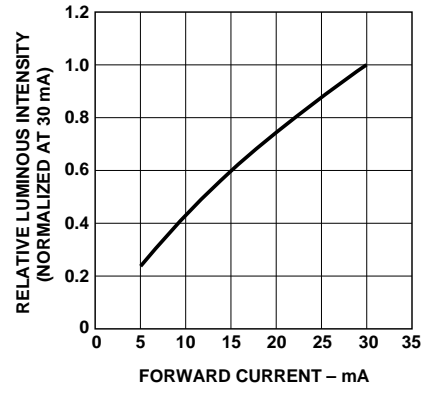


Figure 4. Relative Intensity Vs. Forward Current (InGaN).

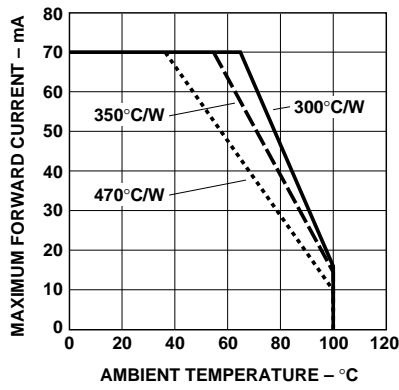


Figure 5a. Maximum Forward Current Vs. Ambient Temperature, Derated Based On $T_{j,max} = 110^{\circ}\text{C}$ (AlInGaP).

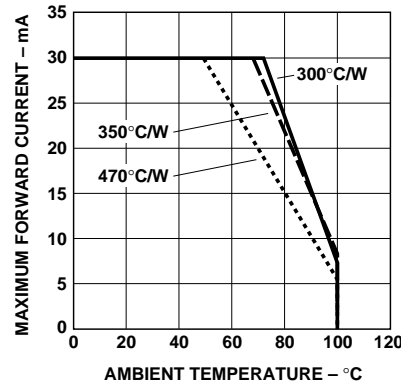


Figure 5b. Maximum Forward Current Vs. Ambient Temperature, Derated Based On $T_{j,max} = 110^{\circ}\text{C}$ (InGaN).

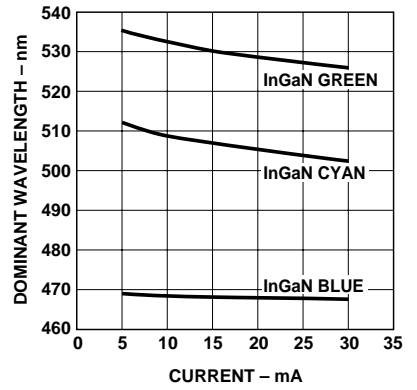


Figure 6. Dominant Wavelength Vs. Forward Current - InGaN Devices.

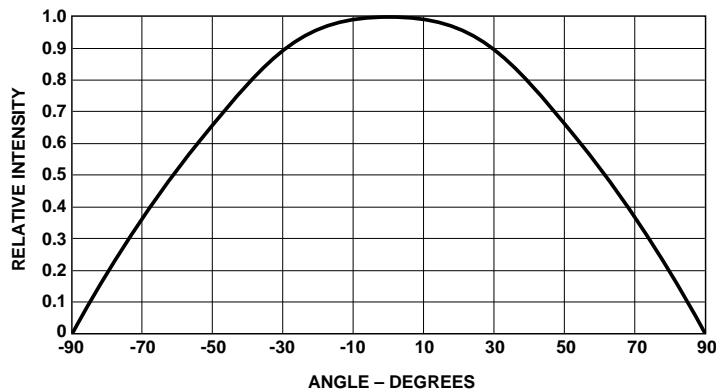


Figure 7. Radiation Pattern.

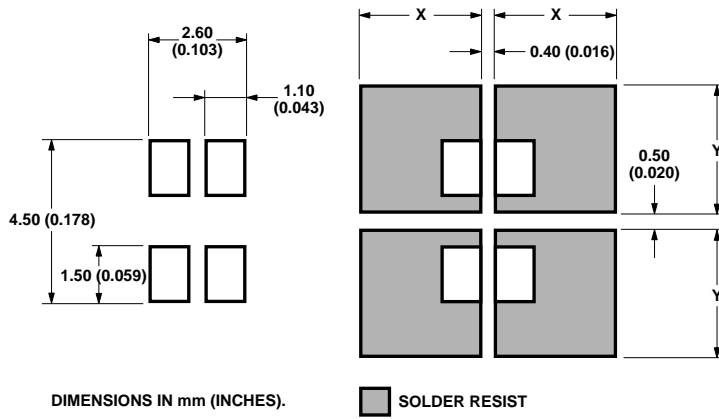
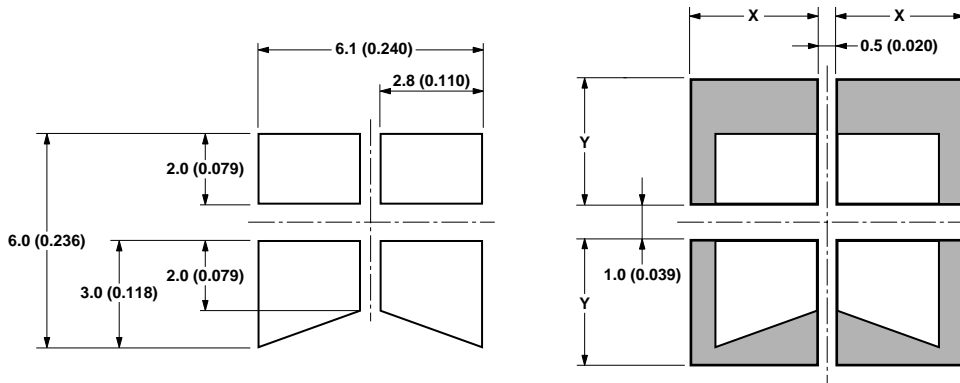


Figure 8a. Recommended Soldering Pad Pattern.



Thermal Resistance	Solder Pad Area (xy)
300°C/W	>16 mm ²
350°C/W	>12 mm ²
470°C/W	>8 mm ²

DIMENSIONS IN mm (INCHES).

Figure 8b. Recommended Soldering Pad Pattern (TTW).

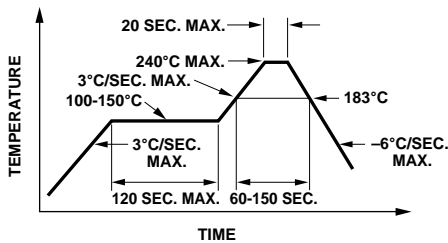
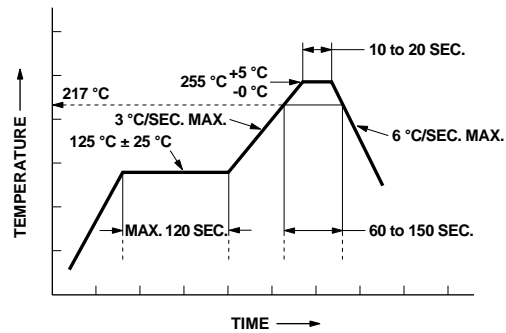


Figure 9a. Recommended SnPb Reflow Soldering Profile.



* THE TIME FROM 25 °C TO PEAK TEMPERATURE = 6 MINUTES MAX.

Figure 9b. Recommended Pb-free Reflow Soldering Profile.

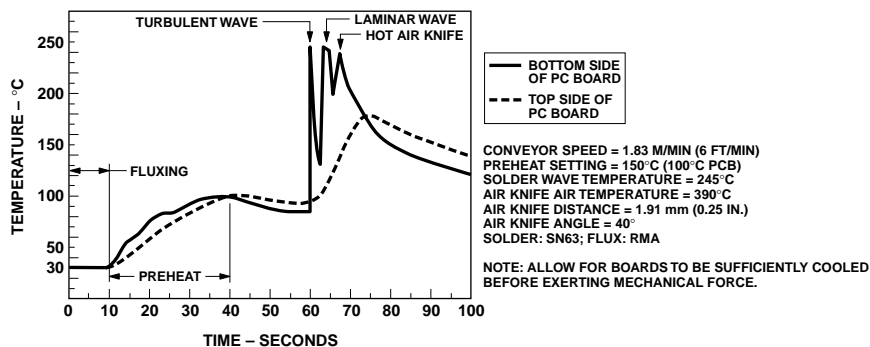


Figure 10. Recommended Wave Soldering Profile.

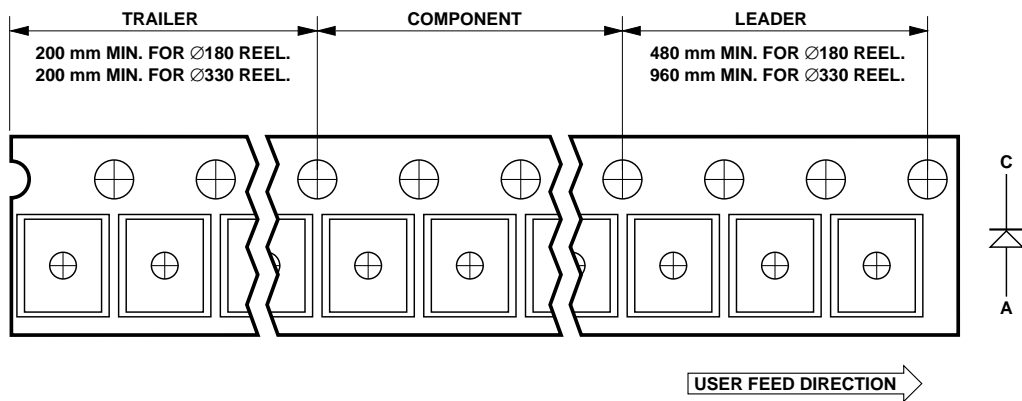


Figure 11. Tape Leader and Trailer Dimensions.

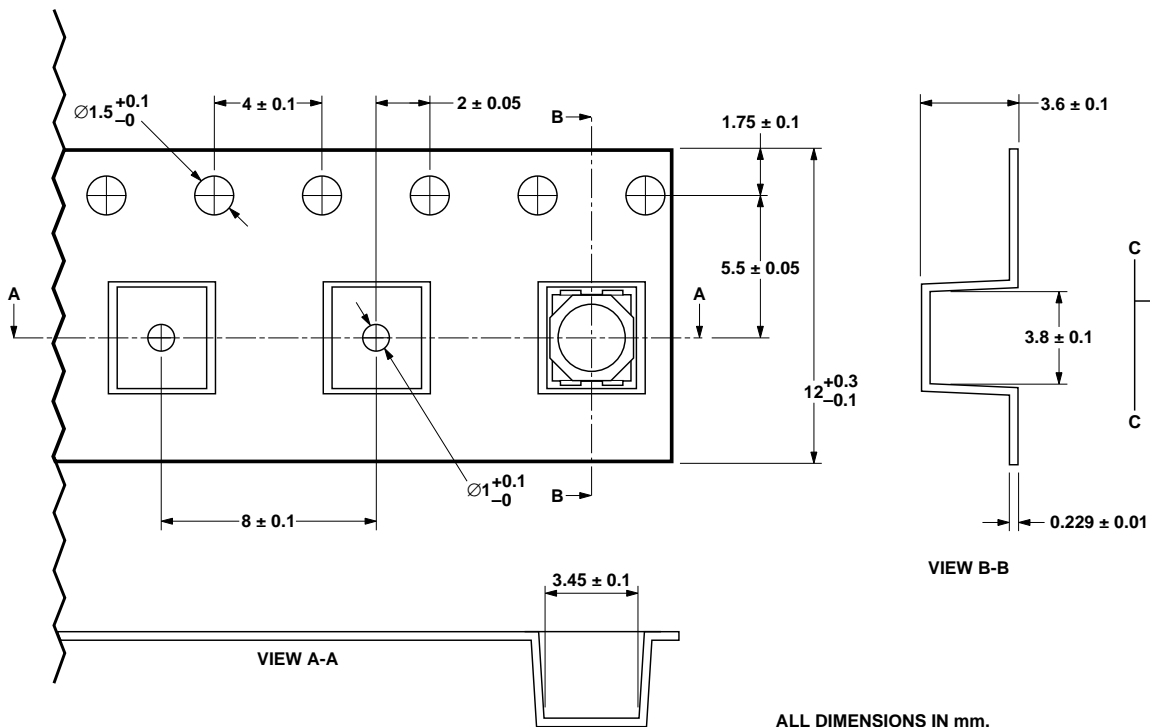


Figure 12. Tape Dimensions.

ALL DIMENSIONS IN mm.

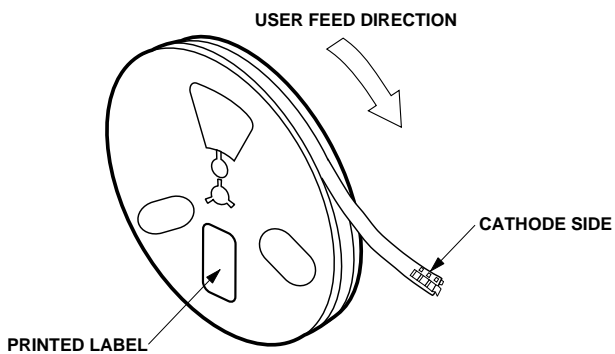


Figure 13. Reeling Orientation.

Storage Condition: 5 to 30°C @ 60% relative humidity max.

Baking is required under the condition:

- a) the humidity indicator card color becoming pink
- b) the pack has been opened for more than 4 weeks

Baking recommended condition: 60 ± 5°C for 20 hours.

Intensity Bin Select (X₅X₆)

Individual reel will contain parts from one half bin only.

X₅	Min. Iv Bin
X₆	
0	Full Distribution
3	3 half bins starting from X ₅ 1
4	4 half bins starting from X ₅ 1
5	5 half bins starting from X ₅ 1
7	3 half bins starting from X ₅ 2
8	4 half bins starting from X ₅ 2
9	5 half bins starting from X ₅ 2

Intensity Bin Limits

Bin ID	Min. (mcd)	Max. (mcd)
N1	28.50	35.50
N2	35.50	45.00
P1	45.00	56.00
P2	56.00	71.50
Q1	71.50	90.00
Q2	90.00	112.50
R1	112.50	140.00
R2	140.00	180.00
S1	180.00	224.00
S2	224.00	285.00
T1	285.00	355.00
T2	355.00	450.00
U1	450.00	560.00
U2	560.00	715.00
V1	715.00	900.00
V2	900.00	1125.00
W1	1125.00	1400.00
W2	1400.00	1800.00

Tolerance of each bin limit = ± 12%

Color Bin Select (X₇)

Individual reel will contain parts from one full bin only.

X₇	
0	Full Distribution
Z	A and B only
Y	B and C only
W	C and D only
V	D and E only
U	E and F only
T	F and G only
S	G and H only
Q	A, B and C only
P	B, C and D only
N	C, D and E only
M	D, E and F only
L	E, F and G only
K	F, G and H only
1	A, B, C and D only
2	E, F, G and H only
3	B, C, D and E only
4	C, D, E and F only
5	A, B, C, D and E only
6	B, C, D, E and F only

Color Bin Limits

Blue	Min. (nm)	Max. (nm)
A	460.0	465.0
B	465.0	470.0
C	470.0	475.0
D	475.0	480.0

Cyan	Min. (nm)	Max. (nm)
A	490.0	495.0
B	495.0	500.0
C	500.0	505.0
D	505.0	510.0

Green	Min. (nm)	Max. (nm)
A	515.0	520.0
B	520.0	525.0
C	525.0	530.0
D	530.0	535.0

Color Bin Limits

Emerald		
Green	Min. (nm)	Max. (nm)
A	552.5	555.5
B	555.5	558.5
C	558.5	561.5
D	561.5	564.5

Yellow		
Green	Min. (nm)	Max. (nm)
E	564.5	567.5
F	567.5	570.5
G	570.5	573.5
H	573.5	576.5

Amber/ Yellow		
Min. (nm)	Max. (nm)	
A	582.0	584.5
B	584.5	587.0
C	587.0	589.5
D	589.5	592.0
E	592.0	594.5
F	594.5	597.0

Orange	Min. (nm)	Max. (nm)
A	597.0	600.0
B	600.0	603.0
C	603.0	606.0
D	606.0	609.0
E	609.0	612.0

Red		
Orange	Min. (nm)	Max. (nm)
A	611.0	616.0
B	616.0	620.0

Red	Min. (nm)	Max. (nm)
------------	------------------	------------------

Full Distribution

Tolerance of each bin limit = ± 1 nm

Packaging Option (X₈X₉)

Option	Test Current	Package Type	Reel Size
M1	50 mA	Top Mount	7 inch
M2	30 mA	Top Mount	7 inch

Forward Voltage Bin Table
For HSMZ/V/U – A4xx-xxxxx only

BIN	MIN.	MAX.
VA	1.9	2.2
VB	2.2	2.5
VC	2.5	2.8
VD	2.8	3.1
VE	3.1	3.4

Tolerance of each bin limit = ± 0.05

www.agilent.com/semiconductors

For product information and a complete list of distributors, please go to our web site.

For technical assistance call:

Americas/Canada: +1 (800) 235-0312 or
(916) 788-6763

Europe: +49 (0) 6441 92460

China: 10800 650 0017

Hong Kong: (+65) 6756 2394

India, Australia, New Zealand: (+65) 6755 1939

Japan: (+81 3) 3335-8152 (Domestic/International), or 0120-61-1280 (Domestic Only)

Korea: (+65) 6755 1989

Singapore, Malaysia, Vietnam, Thailand,
Philippines, Indonesia: (+65) 6755 2044

Taiwan: (+65) 6755 1843

Data subject to change.

Copyright © 2004 Agilent Technologies, Inc.

Obsoletes 5989-0663EN

October 12, 2004

5989-1211EN



Agilent Technologies