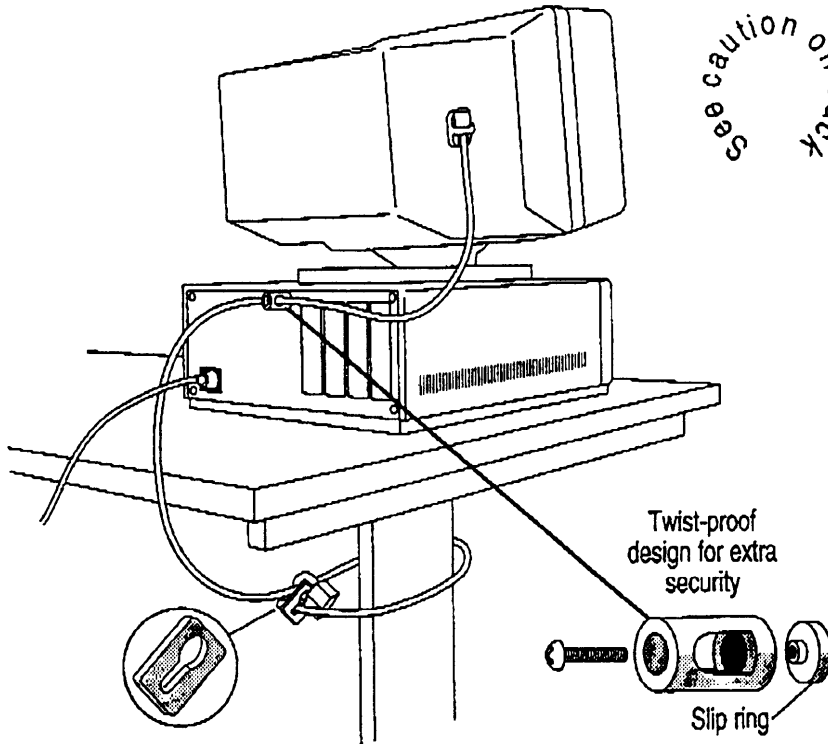


501 906



Screw-on Security Kit
Part No. BB3HD-SM



ByteBrothers™

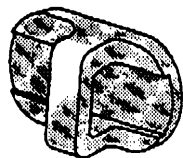
1309 North 30th Street, Renton, WA 98056 USA
+1 206-271-9567 • FAX +1 206-227-9702 • e-mail data@bytebros.com

Installation Instructions

Screw Mounted Bracket with Twist-proof design

Mounts to an existing screw location. If you select a screw that holds the lid on, the bracket will also act as a lid lock. Mount the bracket the slip ring to the processor either using the existing screw (if long enough) or one of the enclosed replacement screws. Pass cable thru bracket to block screw access.

Super Bond Plate™



¾" x 1½" (2x4cm)
Super Bond Plate™



PLATES USE 8 DROPS



Plates feature small,
2 penny-wide footprint

CAUTION: Avoid skin and eye contact. Cyanoacrylate adhesive bonds to skin immediately. To break the bond, peel and flex the skin carefully. Immersion in soapy water aids in breaking the bond. Acetone or nail polish remover may also be used. If adhesive comes in contact with the eye, seek medical attention.

1. **SELECT A LOCATION FOR THE PLATE AND CLEAN THE SURFACE.** The quality of an adhesive bond is best on surfaces that are *clean*. Clean the surface with the enclosed alcohol pad. After cleaning, wait 3 minutes for the alcohol to evaporate. In locating the plate, avoid air vents and access holes. Use a pencil to mark the location where the plate is to be installed.
2. **MOUNT THE PLATE.** Installation takes a few minutes... but the resulting bond is well worth the effort. The rubbery plate bottom is made of a tough, single layer material that forms a strong bond with Super Bond Adhesive. Apply 8 drops on the bottom of the plate (see diagram above). Use the applicator tip to quickly spread the adhesive. Then, *immediately* press the plate in place. Apply pressure on the plate for 60 seconds. Wait 10 minutes before attaching the security cable. A full strength bond takes 24 hours.



Made in the USA. Copyright 1997 Byte Brothers.

BB3HD-SM