



MCP9700 Temperature-to-Voltage Converter PICtail™ Demo Board User's Guide

Note the following details of the code protection feature on Microchip devices:

- Microchip products meet the specification contained in their particular Microchip Data Sheet.
- Microchip believes that its family of products is one of the most secure families of its kind on the market today, when used in the intended manner and under normal conditions.
- There are dishonest and possibly illegal methods used to breach the code protection feature. All of these methods, to our knowledge, require using the Microchip products in a manner outside the operating specifications contained in Microchip's Data Sheets. Most likely, the person doing so is engaged in theft of intellectual property.
- Microchip is willing to work with the customer who is concerned about the integrity of their code.
- Neither Microchip nor any other semiconductor manufacturer can guarantee the security of their code. Code protection does not mean that we are guaranteeing the product as "unbreakable."

Code protection is constantly evolving. We at Microchip are committed to continuously improving the code protection features of our products. Attempts to break Microchip's code protection feature may be a violation of the Digital Millennium Copyright Act. If such acts allow unauthorized access to your software or other copyrighted work, you may have a right to sue for relief under that Act.

Information contained in this publication regarding device applications and the like is provided only for your convenience and may be superseded by updates. It is your responsibility to ensure that your application meets with your specifications. MICROCHIP MAKES NO REPRESENTATIONS OR WARRANTIES OF ANY KIND WHETHER EXPRESS OR IMPLIED, WRITTEN OR ORAL, STATUTORY OR OTHERWISE, RELATED TO THE INFORMATION, INCLUDING BUT NOT LIMITED TO ITS CONDITION, QUALITY, PERFORMANCE, MERCHANTABILITY OR FITNESS FOR PURPOSE. Microchip disclaims all liability arising from this information and its use. Use of Microchip's products as critical components in life support systems is not authorized except with express written approval by Microchip. No licenses are conveyed, implicitly or otherwise, under any Microchip intellectual property rights.

Trademarks

The Microchip name and logo, the Microchip logo, Accuron, dsPIC, KEELOQ, microID, MPLAB, PIC, PICmicro, PICSTART, PRO MATE, PowerSmart, rfPIC, and SmartShunt are registered trademarks of Microchip Technology Incorporated in the U.S.A. and other countries.


AmpLab, FilterLab, Migratable Memory, MXDEV, MXLAB, PICMASTER, SEEVAL, SmartSensor and The Embedded Control Solutions Company are registered trademarks of Microchip Technology Incorporated in the U.S.A.

Analog-for-the-Digital Age, Application Maestro, dsPICDEM, dsPICDEM.net, dsPICworks, ECAN, ECONOMONITOR, FanSense, FlexROM, fuzzyLAB, In-Circuit Serial Programming, ICSP, ICEPIC, MPASM, MPLIB, MPLINK, MPSIM, PICKit, PICDEM, PICDEM.net, PICLAB, PICtail, PowerCal, PowerInfo, PowerMate, PowerTool, rFLAB, rfPICDEM, Select Mode, Smart Serial, SmartTel, Total Endurance and WiperLock are trademarks of Microchip Technology Incorporated in the U.S.A. and other countries.

SQTP is a service mark of Microchip Technology Incorporated in the U.S.A.

All other trademarks mentioned herein are property of their respective companies.

© 2005, Microchip Technology Incorporated, Printed in the U.S.A., All Rights Reserved.

 Printed on recycled paper.

QUALITY MANAGEMENT SYSTEM
CERTIFIED BY DNV
== ISO/TS 16949:2002 ==

Microchip received ISO/TS-16949:2002 quality system certification for its worldwide headquarters, design and wafer fabrication facilities in Chandler and Tempe, Arizona and Mountain View, California in October 2003. The Company's quality system processes and procedures are for its PICmicro® 8-bit MCUs, KEELOQ® code hopping devices, Serial EEPROMs, microperipherals, nonvolatile memory and analog products. In addition, Microchip's quality system for the design and manufacture of development systems is ISO 9001:2000 certified.



MCP9700 TEMPERATURE-TO-VOLTAGE CONVERTER PICtail™ DEMO BOARD USER'S GUIDE

Table of Contents

Preface	1
Chapter 1. Product Overview	5
1.1 Introduction	5
1.2 What is the MCP9700 Temperature-to-Voltage Converter PICtail™ Demo Board?	5
1.3 What the MCP9700 Temperature-to-Voltage Converter PICtail™ Demo Board Kit Includes	5
Chapter 2. Installation and Operation	7
2.1 Introduction	7
2.2 Features	7
2.3 Getting Started	7
Appendix A. Schematic and Layouts	13
A.1 Introduction	13
A.2 Board Schematic	14
A.3 Board – Top Layer	14
A.4 Board – Silk-screen Layer	15
A.5 Board – Bottom Layer	15
Appendix B. Bill-Of-Materials (BOM)	17
Worldwide Sales and Service	18

NOTES:



MCP9700 TEMPERATURE-TO-VOLTAGE CONVERTER PICtail™ DEMO BOARD USER'S GUIDE

Preface

NOTICE TO CUSTOMERS

All documentation becomes dated, and this manual is no exception. Microchip tools and documentation are constantly evolving to meet customer needs, so some actual dialogs and/or tool descriptions may differ from those in this document. Please refer to our web site (www.microchip.com) to obtain the latest documentation available.

Documents are identified with a “DS” number. This number is located on the bottom of each page, in front of the page number. The numbering convention for the DS number is “DSXXXXA”, where “XXXX” is the document number and “A” is the revision level of the document.

For the most up-to-date information on development tools, see the MPLAB® IDE on-line help. Select the Help menu, and then Topics to open a list of available on-line help files.

INTRODUCTION

This chapter contains general information that will be useful to know before using the MCP9700 Temperature-to-Voltage Converter PICtail™ Demo Board. Items discussed in this chapter include:

- Document Layout
- Conventions Used in this Guide
- Recommended Reading
- The Microchip Web Site
- Customer Support
- Document Revision History

DOCUMENT LAYOUT

This document describes how to use the MCP9700 Temperature-to-Voltage Converter PICtail™ Demo Board User's Guide. The manual layout is as follows:

- **Chapter 1. “Product Overview”** – Important information about the MCP9700 Temperature-to-Voltage Converter PICtail™ Demo Board.
- **Chapter 2. “Installation and Operation”** – This chapter includes instructions on how to get started, with a detailed description of each of the board's functions.
- **Appendix A. “Schematic and Layouts”** – Shows the schematic and layout diagrams for the MCP9700 Temperature-to-Voltage Converter PICtail™ Demo Board.
- **Appendix B. “Bill-Of-Materials (BOM)”** – Lists the parts used to build the MCP9700 Temperature-to-Voltage Converter PICtail™ Demo Board.

CONVENTIONS USED IN THIS GUIDE

This manual uses the following documentation conventions:

DOCUMENTATION CONVENTIONS

Description	Represents	Examples
Arial font:		
Italic characters	Referenced books	<i>MPLAB® IDE User's Guide</i>
	Emphasized text	...is the <i>only</i> compiler...
Initial caps	A window	the Output window
	A dialog	the Settings dialog
	A menu selection	select Enable Programmer
Quotes	A field name in a window or dialog	"Save project before build"
Underlined, italic text with right angle bracket	A menu path	<u><i>File>Save</i></u>
Bold characters	A dialog button	Click OK
	A tab	Click the Power tab
Text in angle brackets < >	A key on the keyboard	Press <Enter>, <F1>
Courier font:		
Plain Courier	Sample source code	#define START
	Filenames	autoexec.bat
	File paths	c:\mcc18\h
	Keywords	_asm, _endasm, static
	Command-line options	-Opa+, -Opa-
	Bit values	0, 1
	Constants	0xFF, 'A'
Italic Courier	A variable argument	<i>file.o</i> , where <i>file</i> can be any valid filename
Square brackets []	Optional arguments	mpasmwin [options] <i>file</i> [options]
Curly brackets and pipe character: { }	Choice of mutually exclusive arguments; an OR selection	errorlevel {0 1}
Ellipses...	Replaces repeated text	var_name [, var_name...]
	Represents code supplied by user	void main (void) { ... }

RECOMMENDED READING

This user's guide describes how to use the MCP9700 Temperature-to-Voltage Converter PICtail™ Demo Board. Other useful documents are listed below. The following Microchip documents are available and recommended as supplemental reference resources.

MCP9700 Data Sheet (DS21942)

This data sheet provides detailed information regarding the MCP9700 device.

THE MICROCHIP WEB SITE

Microchip provides online support via our web site at www.microchip.com. This web site is used as a means to make files and information easily available to customers. Accessible by using your favorite Internet browser, the web site contains the following information:

- **Product Support** – Data sheets and errata, application notes and sample programs, design resources, user's guides and hardware support documents, latest software releases and archived software
- **General Technical Support** – Frequently Asked Questions (FAQs), technical support requests, online discussion groups, Microchip consultant program member listing
- **Business of Microchip** – Product selector and ordering guides, latest Microchip press releases, listing of seminars and events, listings of Microchip sales offices, distributors and factory representatives

CUSTOMER SUPPORT

Users of Microchip products can receive assistance through several channels:

- Distributor or Representative
- Local Sales Office
- Field Application Engineer (FAE)
- Technical Support
- Development Systems Information Line

Customers should contact their distributor, representative or field application engineer (FAE) for support. Local sales offices are also available to help customers. A listing of sales offices and locations is included in the back of this document.

Technical support is available through the web site at: <http://support.microchip.com>

In addition, there is a Development Systems Information Line which lists the latest versions of Microchip's development systems software products. This line also provides information on how customers can receive currently available upgrade kits.

The Development Systems Information Line numbers are:

1-800-755-2345 – United States and most of Canada

1-480-792-7302 – Other International Locations

DOCUMENT REVISION HISTORY

Revision A (March 2005)

- Initial Release of this Document.

NOTES:



MCP9700 TEMPERATURE-TO-VOLTAGE CONVERTER PICtail™ DEMO BOARD USER'S GUIDE

Chapter 1. Product Overview

1.1 INTRODUCTION

This chapter provides an overview of the MCP9700 Temperature-to-Voltage Converter PICtail™ Demo Board and covers the following topics:

- What is the MCP9700 Temperature-to-Voltage Converter PICtail™ Demo Board?
- What the MCP9700 Temperature-to-Voltage Converter PICtail™ Demo Board Kit includes

1.2 WHAT IS THE MCP9700 TEMPERATURE-TO-VOLTAGE CONVERTER PICTAIL™ DEMO BOARD?

The MCP9700 Temperature-to-Voltage Converter PICtail™ Demo Board demonstrates how to interface the MCP9700 to a PICmicro® microcontroller using the PICkit™ 1 Flash Starter Kit as a platform. A PIC16F676 14-pin, Flash-based, 8-bit CMOS microcontroller device is included with the demo board that can be used with the PICkit™ 1 Flash Starter Kit, along with firmware that provides the interface to the MCP9700 Temperature-to-Voltage Converter PICtail™ Demo Board and the voltage-to-temperature conversion routines.

The MCP9700 Temperature-to-Voltage Converter PICtail™ Demo Board can also be used as a “stand-alone” module to quickly add thermal sensing capability to any existing application. This basic sensor functionality is implemented on a small Printed Circuit Board (PCB) and an interface via a standard 100 mil header.

1.3 WHAT THE MCP9700 TEMPERATURE-TO-VOLTAGE CONVERTER PICTAIL™ DEMO BOARD KIT INCLUDES

This MCP9700 Temperature-to-Voltage Converter PICtail™ Demo Board Kit includes:

- The MCP9700 Temperature-to-Voltage Converter PICtail™ Demo Board
- MCP9700 Temperature-to-Voltage Converter PICtail™ Demo Board User's Guide, DS51542
- AN981, “Interfacing a MCP9700 Analog Output Temperature Sensor to a PICmicro® Microcontroller”, DS00981
- PIC16F676 14-pin, Flash-based, 8-bit CMOS Microcontroller
- PIC16F676 Firmware (00059R1.HEX)

NOTES:

Chapter 2. Installation and Operation

2.1 INTRODUCTION

The MCP9700 Temperature-to-Voltage Converter PICtail™ Demo Board demonstrates how to interface the MCP9700 to a microcontroller, for use by the system designer as an example of how to integrate an analog temperature sensor into their system.

2.2 FEATURES

The MCP9700 Temperature-to-Voltage Converter PICtail™ Demo Board has the following features:

- Small PCB layout
- Standard 100 mil 14-pin header (P1) for easy interface to PICKit™ 1 Flash Starter Kit or custom application

2.3 GETTING STARTED

This section describes how to quickly set up the MCP9700 Temperature-to-Voltage Converter PICtail™ Demo Board and PICKit 1 Flash Starter Kit. A block diagram of the setup is presented in Figure 2-1. Refer to AN981, “Interfacing a MCP9700 Analog Output Temperature Sensor to a PICmicro® Microcontroller” (DS00981), for detailed information on the MCP9700 Temperature-to-Voltage Converter PICtail™ Demo Board and the 00059R1.HEX firmware.

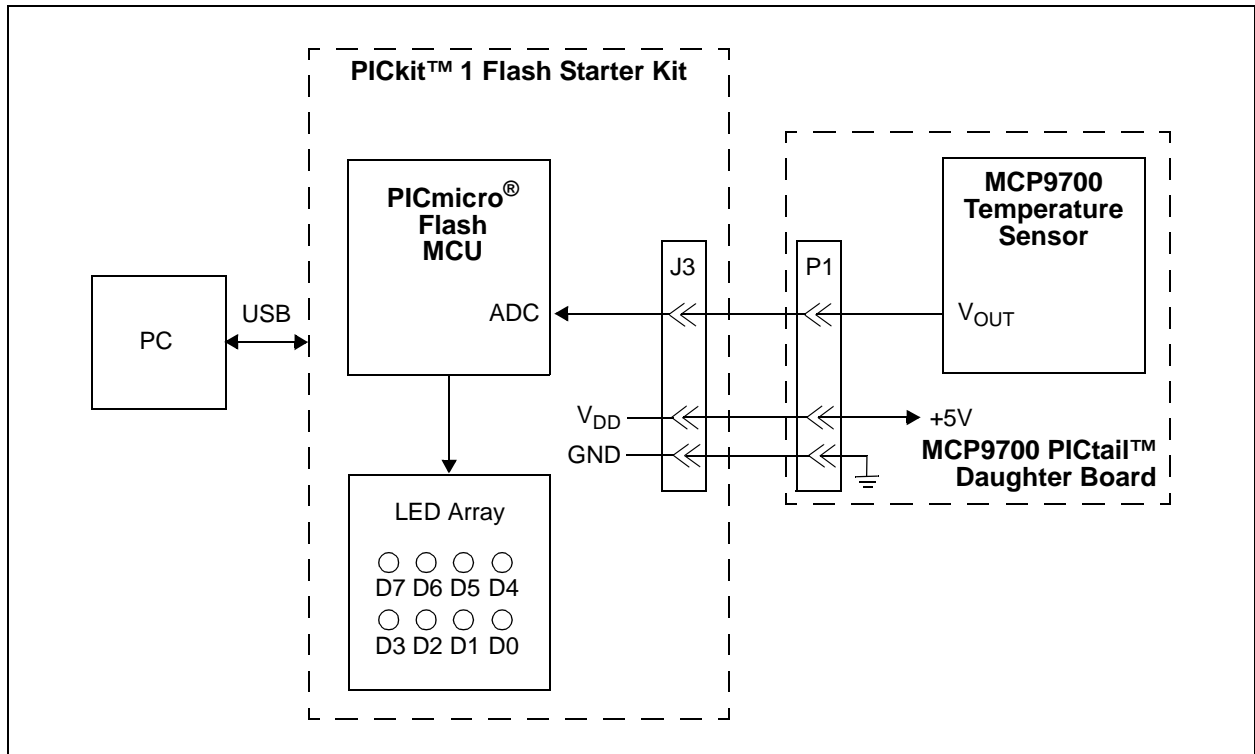


FIGURE 2-1: MCP9700 Temperature-to-Voltage Converter PICtail™ Demo Board Block Diagram.

2.3.1 Hardware Setup

1. Connect the P1 header of the MCP9700 Temperature-to-Voltage Converter PICtail™ Demo Board to the J3 connector on the PICkit 1 Flash Starter Kit board. Refer to Figure 2-2 for proper orientation of the MCP9700 Temperature-to-Voltage Converter PICtail™ Demo Board and Figure 2-3 for the simplified board schematic.
2. Insert the PIC16F676 into the Evaluation socket of the PICkit 1 Flash Starter Kit board.
3. Connect the PICkit 1 Flash Starter Kit USB cable from the USB port of the PC to the USB port (J1) on the PICkit 1 Flash Starter Kit board. +5V power is supplied to the PICkit 1 Flash Starter Kit board via the USB cable. The green **POWER** LED and the red **BUSY** LED will turn on, indicating that power is being supplied to the board.

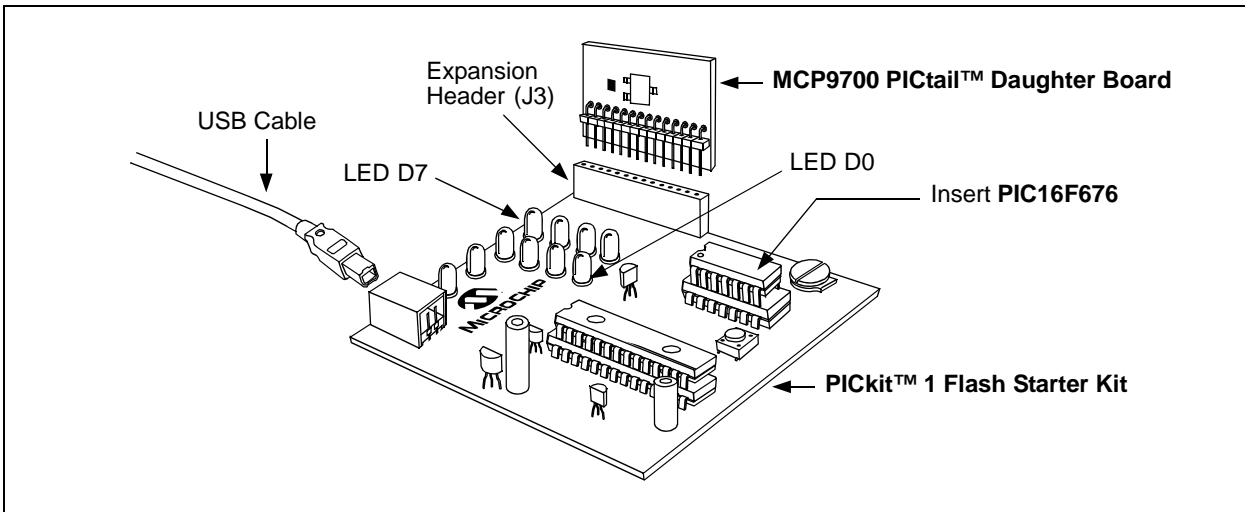


FIGURE 2-2: MCP9700 PICtail™ Daughter Board and PICkit™ 1 Flash Starter Kit.

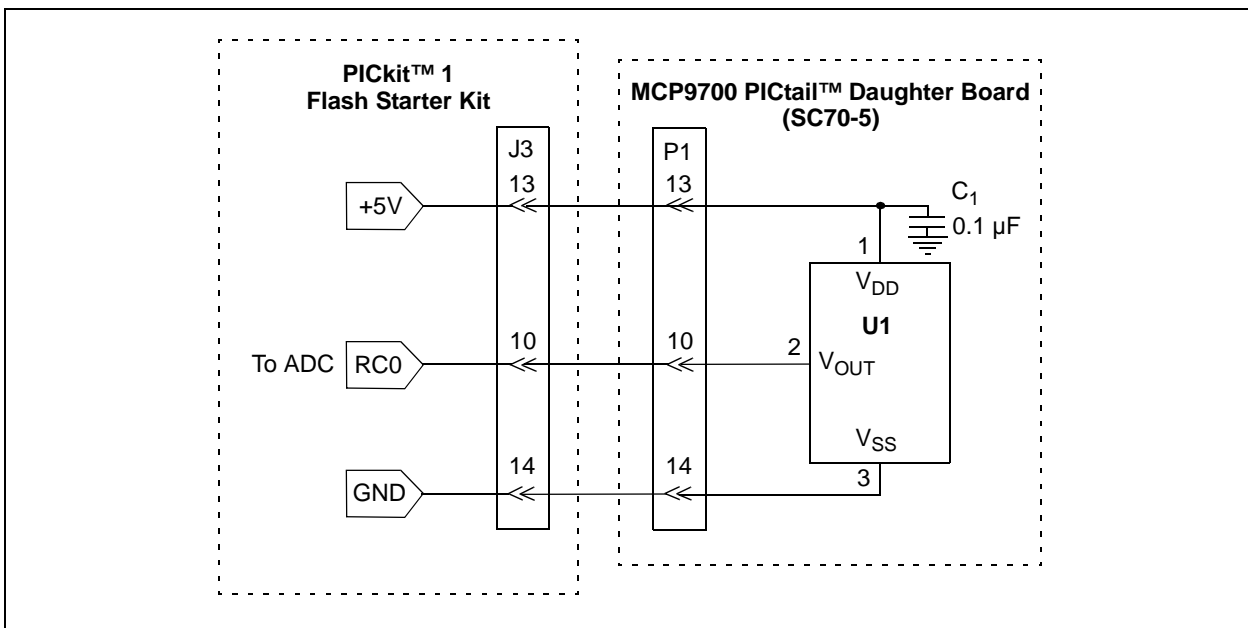


FIGURE 2-3: Simplified MCP9700 PICtail™ Daughter Board Schematic.

2.3.2 Programming the PIC16F676

1. Download and install the PICKit 1 Flash Starter Kit software to your PC.
2. Copy the 00059R1 .HEX file, supplied on the CD that came with this kit, to your PC.
3. Once the PICKit 1 Flash Starter Kit is started, the main window will be displayed on the PC, as indicated in Figure 2-4.

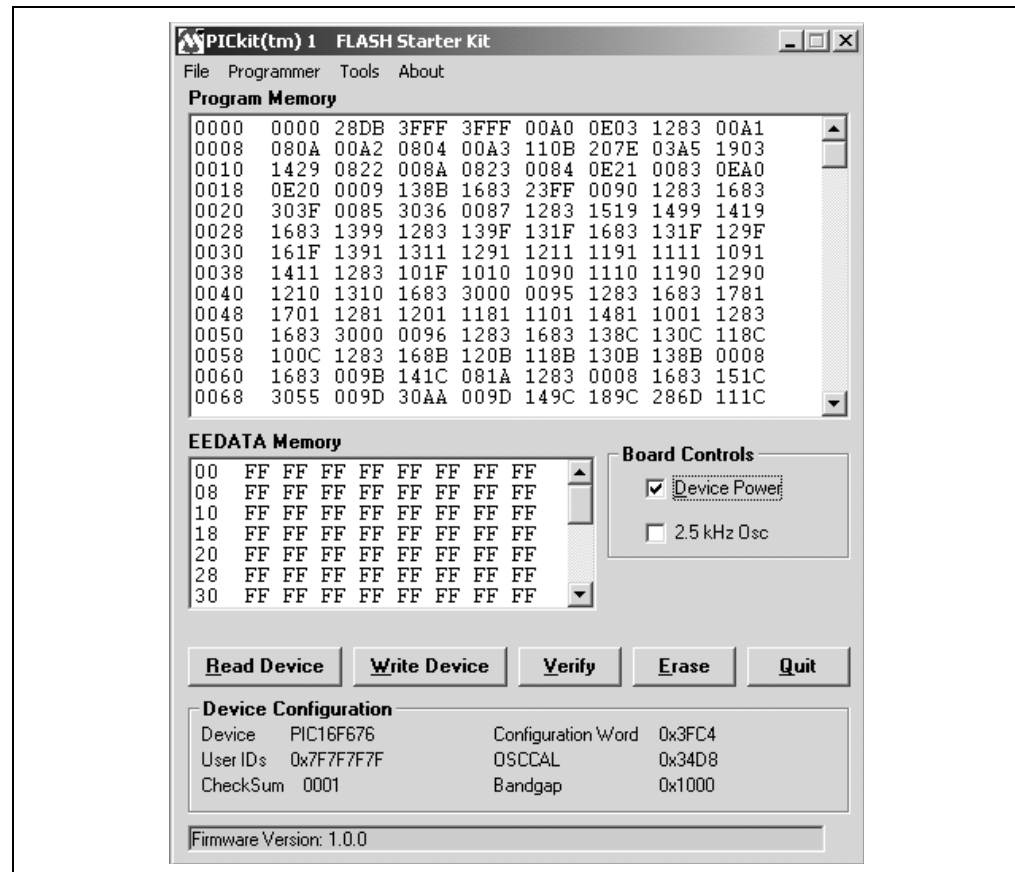


FIGURE 2-4: PICKit™ 1 Flash Starter Kit GUI Window on the PC.

4. Toggle device power to off by unchecking the **Device Power** box under **Board Controls** in the PICKit 1 Flash Starter Kit window (Figure 2-4). The **BUSY** LED on the PICKit 1 Flash Starter Kit board will turn off once the device power is turned off.
5. Click on the **Erase** button in the window to ensure that the PIC16F676 device has been erased.
6. From the **File** pull down menu, select **Import HEX**. A file window will appear. Select and open "**00059R1.HEX**".
7. Click on the **Write Device** button in the PICKit 1 Flash Starter Kit window. The PIC16F676 device will be written to with the 00059R1 .HEX firmware. When completed, the status bar at the bottom of the window will indicate **Write Successful**.
8. Toggle the device power on by checking the **Device Power** box under **Board Controls** in the PICKit 1 Flash Starter Kit window. The **BUSY** LED on the PICKit 1 Flash Starter Kit board will turn on once the device power is turned on. Some of the red LEDs (D7-D0) will turn on as well.

At this point, the PIC16F676 is reading the temperature data from the MCP9700 and displaying the temperature on the eight red LEDs (D7-D0) on the PICKit 1 Flash Starter Kit board. The ten's digit of the temperature data is represented by bits D7-D4, with D7 being defined as the Most Significant bit (MSb). The one's digit is defined by bits D3-D0, with D3 serving as the MSb.

The temperature can be displayed in degrees Celsius or Fahrenheit. The board defaults to the temperature being displayed in Celsius. To display the temperature in Fahrenheit, press the **SW1** push button switch on the PICKit 1 Flash Starter Kit board. The display will change back to Celsius once the **SW1** push button switch is released.

Table 2-1 provides a list of the LED patterns that correspond to the BCD coding representation of the temperature measurement.

TABLE 2-1: BCD CODE REPRESENTATION ON PICKit™ 1 FLASH STARTER KIT LEDs

Binary	BCD Number	D7 D3	D6 D2	D5 D1	D4 D0
0000	0	OFF	OFF	OFF	OFF
0001	1	OFF	OFF	OFF	ON
0010	2	OFF	OFF	ON	OFF
0011	3	OFF	OFF	ON	ON
0100	4	OFF	ON	OFF	OFF
0101	5	OFF	ON	OFF	ON
0110	6	OFF	ON	ON	OFF
0111	7	OFF	ON	ON	ON
1000	8	ON	OFF	OFF	OFF
1001	9	ON	OFF	OFF	ON

For example, a temperature reading of 75°F will be displayed by turning on LEDs D6, D5, D4, D2 and D0 (LEDs D7, D3 and D1 will be turned off), as indicated in Figure 2-5.

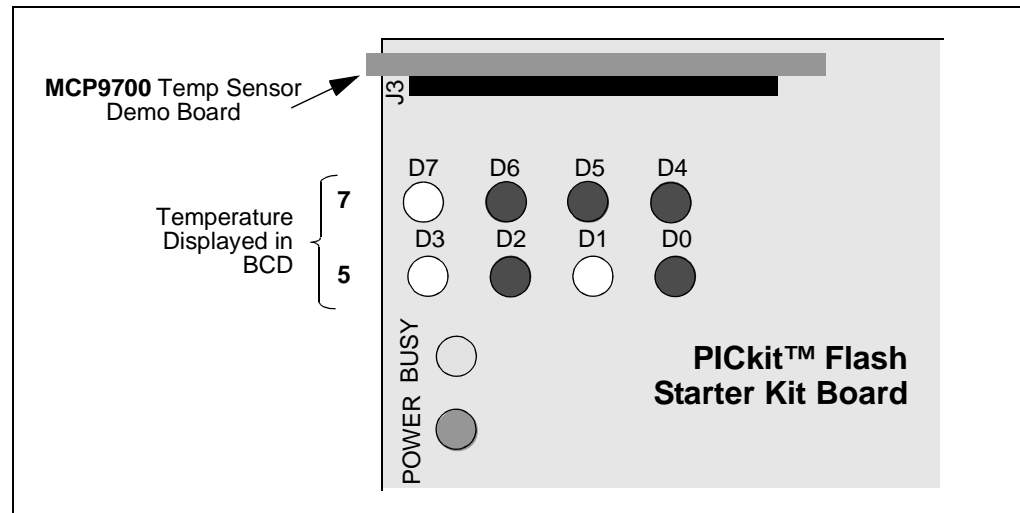


FIGURE 2-5: PICkit™ 1 Flash Starter Kit LED Display of 75°F.

The temperature display will change when the temperature of the MCP9700 is varied. A simple example of this can be seen by pressing your finger on the MCP9700 device (U1) mounted on the MCP9700 Temperature-to-Voltage Converter PICtail™ Demo Board. More dramatic changes can be seen by applying heat to the MCP9700 with a hair dryer, hot air gun or by cooling the device down.

Refer to the MCP9700 data sheet, “Low-Power Voltage Output Temperature Sensor” (DS21942), for more information on the MCP9700 and AN981, “Interfacing a MCP9700 Analog Output Temperature Sensor to a PICmicro® Microcontroller”, for more information on the MCP9700 Temperature-to-Voltage Converter PICtail™ Demo Board and 00059R1 .HEX firmware.

NOTES:



MCP9700 TEMPERATURE-TO-VOLTAGE CONVERTER PICtail™ DEMO BOARD USER'S GUIDE

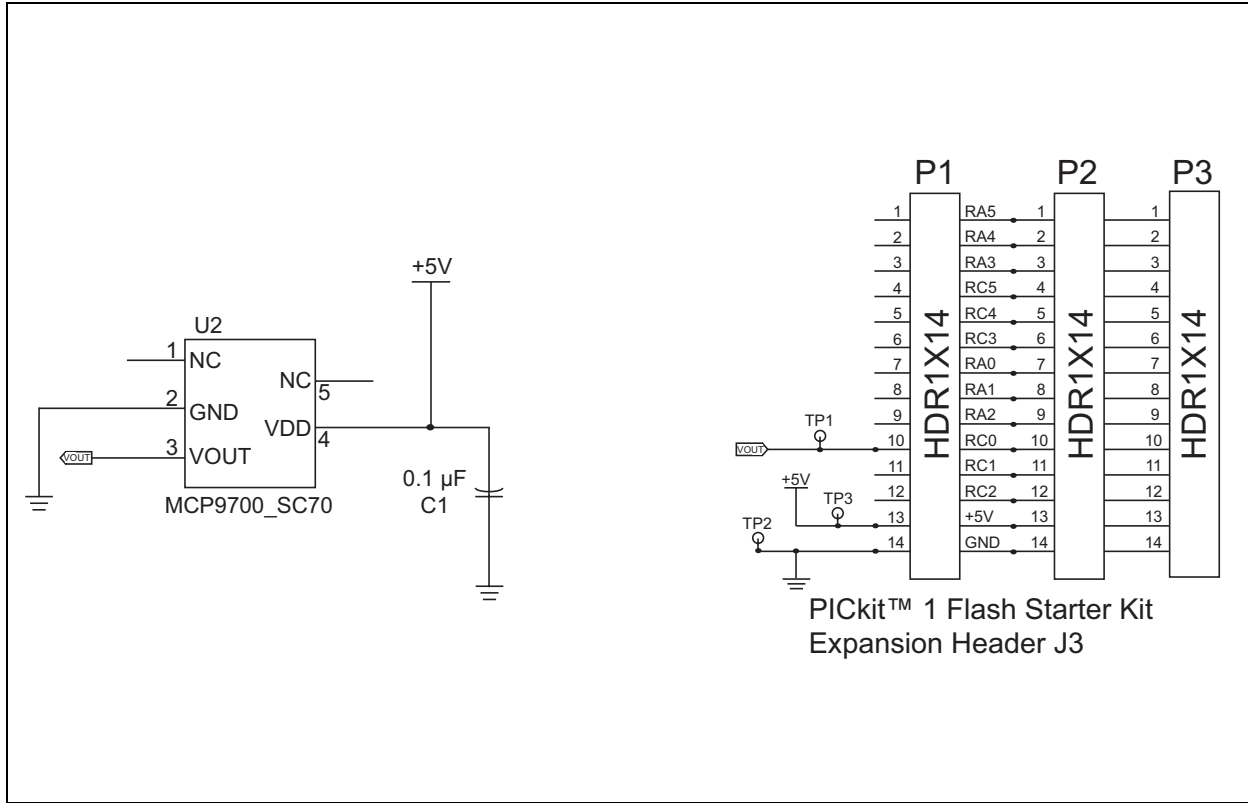
Appendix A. Schematic and Layouts

A.1 INTRODUCTION

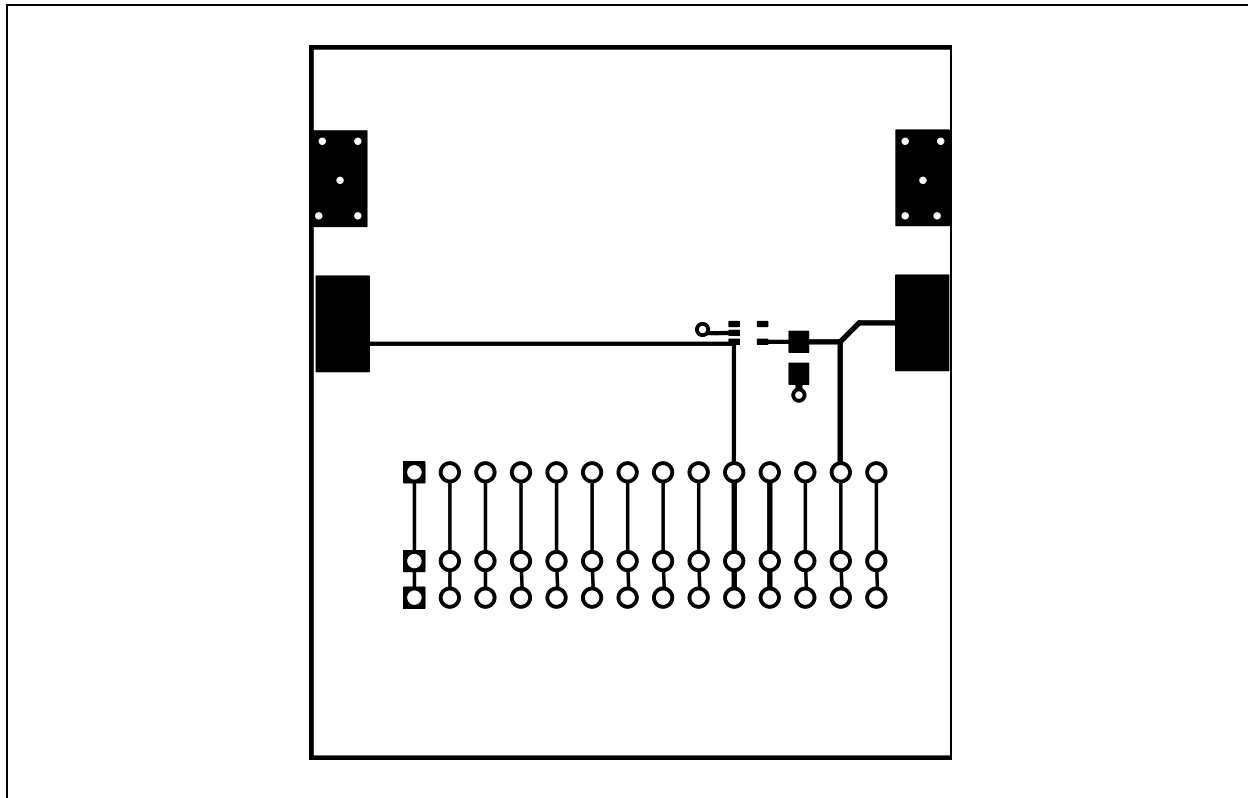
This appendix contains the following schematics and layouts for the MCP9700 Temperature-to-Voltage Converter PICtail Demo Board:

- Board Schematic
- Board – Top Layer
- Board – Silk-screen Layer
- Board – Bottom Layer

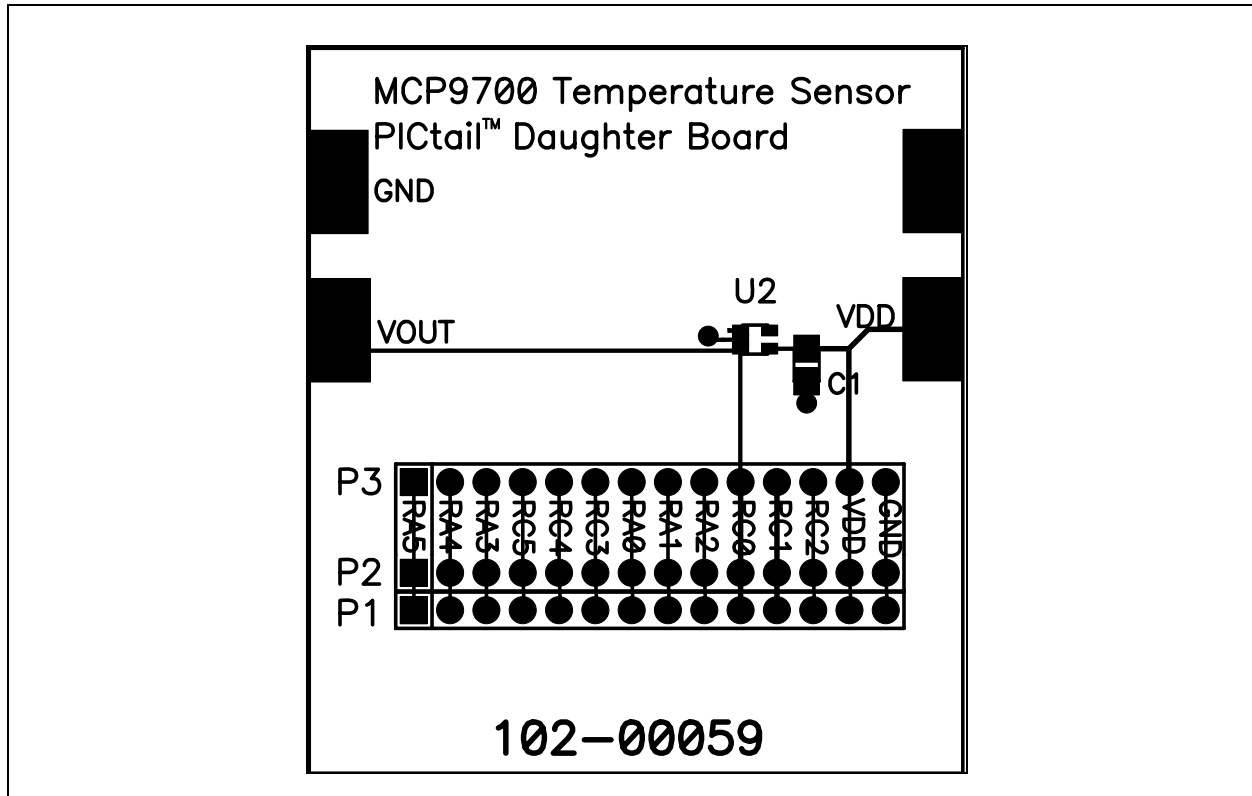
A.2 BOARD SCHEMATIC



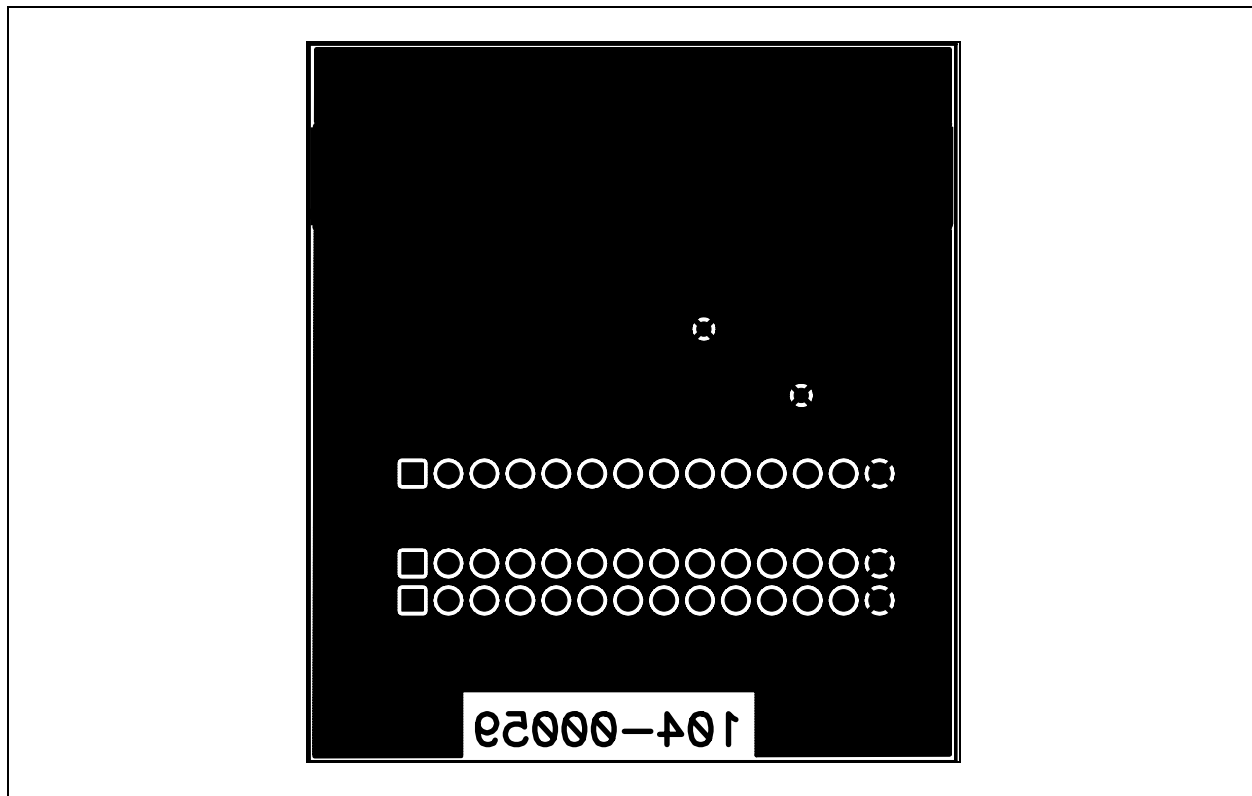
A.3 BOARD – TOP LAYER



A.4 BOARD – SILK-SCREEN LAYER



A.5 BOARD – BOTTOM LAYER



NOTES:



MCP9700 TEMPERATURE-TO-VOLTAGE CONVERTER PICtail™ DEMO BOARD USER'S GUIDE

Appendix B. Bill-Of-Materials (BOM)

TABLE B-1: BILL-OF-MATERIALS (BOM)

Reference Designator	Quantity	Description	Manufacturer	Manufacturer Part Number
C1	1	Cap., 0.1 μ F, 25V, Ceramic, X7R 0805	Panasonic®-ECG	ECJ-2VB1E104K
P1	1	Conn Hdr Brkway .100 40pos RT/A	AMP/ Tyco™ Electronics	4-103765-0
U1	1	MCP9700 Tiny Analog Temperature Sensor	Microchip Technology Inc.	MCP9700T-E/LT



WORLDWIDE SALES AND SERVICE

AMERICAS

Corporate Office
2355 West Chandler Blvd.
Chandler, AZ 85224-6199
Tel: 480-792-7200
Fax: 480-792-7277
Technical Support:
<http://support.microchip.com>
Web Address:
www.microchip.com

Atlanta
Alpharetta, GA
Tel: 770-640-0034
Fax: 770-640-0307

Boston
Westborough, MA
Tel: 774-760-0087
Fax: 774-760-0088

Chicago
Itasca, IL
Tel: 630-285-0071
Fax: 630-285-0075

Dallas
Addison, TX
Tel: 972-818-7423
Fax: 972-818-2924

Detroit
Farmington Hills, MI
Tel: 248-538-2250
Fax: 248-538-2260

Kokomo
Kokomo, IN
Tel: 765-864-8360
Fax: 765-864-8387

Los Angeles
Mission Viejo, CA
Tel: 949-462-9523
Fax: 949-462-9608

San Jose
Mountain View, CA
Tel: 650-215-1444
Fax: 650-961-0286

Toronto
Mississauga, Ontario,
Canada
Tel: 905-673-0699
Fax: 905-673-6509

ASIA/PACIFIC

Australia - Sydney
Tel: 61-2-9868-6733
Fax: 61-2-9868-6755

China - Beijing
Tel: 86-10-8528-2100
Fax: 86-10-8528-2104

China - Chengdu
Tel: 86-28-8676-6200
Fax: 86-28-8676-6599

China - Fuzhou
Tel: 86-591-8750-3506
Fax: 86-591-8750-3521

China - Hong Kong SAR
Tel: 852-2401-1200
Fax: 852-2401-3431

China - Shanghai
Tel: 86-21-5407-5533
Fax: 86-21-5407-5066

China - Shenyang
Tel: 86-24-2334-2829
Fax: 86-24-2334-2393

China - Shenzhen
Tel: 86-755-8203-2660
Fax: 86-755-8203-1760

China - Shunde
Tel: 86-757-2839-5507
Fax: 86-757-2839-5571

China - Qingdao
Tel: 86-532-502-7355
Fax: 86-532-502-7205

ASIA/PACIFIC

India - Bangalore
Tel: 91-80-2229-0061
Fax: 91-80-2229-0062

India - New Delhi
Tel: 91-11-5160-8631
Fax: 91-11-5160-8632

Japan - Kanagawa
Tel: 81-45-471- 6166
Fax: 81-45-471-6122

Korea - Seoul
Tel: 82-2-554-7200
Fax: 82-2-558-5932 or
82-2-558-5934

Singapore
Tel: 65-6334-8870
Fax: 65-6334-8850

Taiwan - Kaohsiung
Tel: 886-7-536-4818
Fax: 886-7-536-4803

Taiwan - Taipei
Tel: 886-2-2500-6610
Fax: 886-2-2508-0102

Taiwan - Hsinchu
Tel: 886-3-572-9526
Fax: 886-3-572-6459

EUROPE

Austria - Weis
Tel: 43-7242-2244-399
Fax: 43-7242-2244-393

Denmark - Ballerup
Tel: 45-4450-2828
Fax: 45-4485-2829

France - Massy
Tel: 33-1-69-53-63-20
Fax: 33-1-69-30-90-79

Germany - Ismaning
Tel: 49-89-627-144-0
Fax: 49-89-627-144-44

Italy - Milan
Tel: 39-0331-742611
Fax: 39-0331-466781

Netherlands - Drunen
Tel: 31-416-690399
Fax: 31-416-690340

England - Berkshire
Tel: 44-118-921-5869
Fax: 44-118-921-5820