

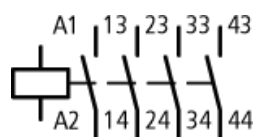
Type: **DILER-40(110V50HZ,120V60HZ)**

Article No.: **051756**



Ordering information			
Actuating voltage			110V 50Hz, 120V 60Hz
Connection technique			Screw terminals
Contacts M = Make			4 M
Conventional thermal current	$I_{th}$	A	10
Distinctive number and version of combination			40 E

### Contact sequence



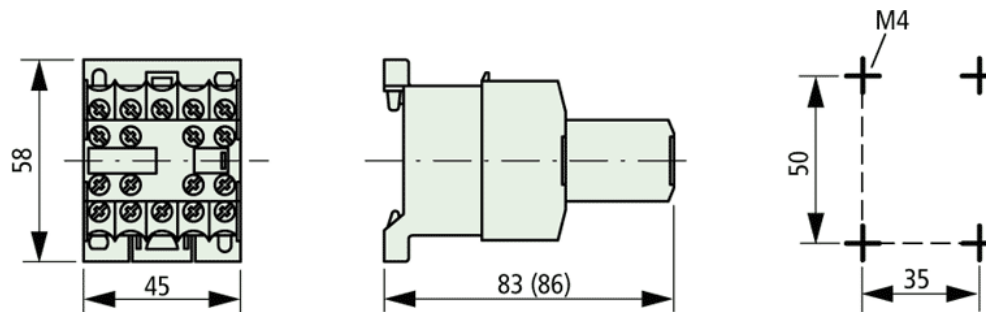
General			
Standards			IEC/EN 60947, VDE 0660, UL, CSA
Climatic proofing			Damp heat, constant, to IEC 60068-2-78; Damp heat, cyclical, to IEC 60068-2-30
Protection against direct contact when actuated from front (IEC 536)			Finger- and back-of-hand proof
Terminal capacities			
Pozidriv screwdriver		Size	2
max. tightening torque		Nm	1,2
Contacts			
Overvoltage category/pollution degree			III/3
Rated insulation voltage	$U_i$	V AC	690
Magnet systems			
Power consumption			

Single-voltage coil 50 Hz and dual-voltage coil 50 Hz, 60 Hz	Pick-up	VA	25
<b>Dimensions</b>			
			DILER-...
			DILER-... + ...DILE

### Dimensions



### Dimensions



Moeller GmbH, Hein-Moeller-Str. 7-11, D-53115 Bonn  
 E-Mail: [catalog@moeller.net](mailto:catalog@moeller.net), Internet: [www.moeller.net](http://www.moeller.net), <http://catalog.moeller.net>  
 Copyright 2005 by Moeller GmbH. Subject to modifications. HPL-C2005GB-INT V3.0