

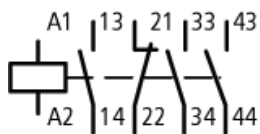
Type: **DILA-31(24V50HZ)**
 Article No.: **276351**



Ordering information

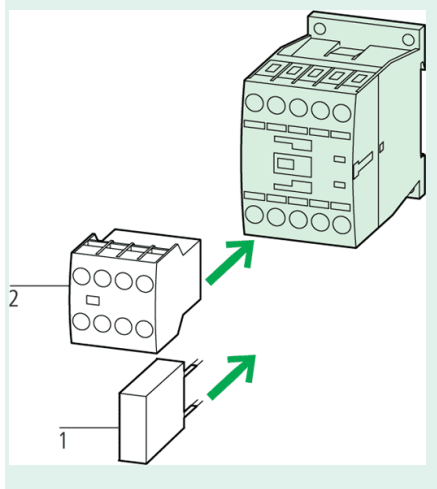
| | | | |
|---|----------|---|----------------|
| Rated operational current AC-15 220 V 230 V 240 V | I_e | A | 6 |
| Rated operational current AC-15 380 V 400 V 415 V | I_e | A | 4 |
| Conventional current, open at 60 °C | I_{th} | A | 10 |
| Can be combined with auxiliary contact module | | | DILA-XHI(V)... |

Contact sequence



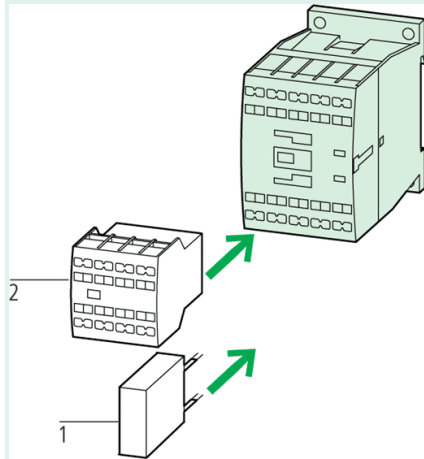
Notes concerning the product group

With screw terminals:



| <i>Accessories</i> | <i>Page</i> |
|----------------------------|-------------|
| 1 Suppressor | → 281208 |
| 2 Auxiliary contact module | → 276420 |
| Further actuating voltages | → 276315 |

With springloaded terminals:



| <i>Accessories</i> | <i>Page</i> |
|----------------------------|-------------|
| 1 Suppressor | → 281208 |
| 2 Auxiliary contact module | → 276420 |
| Further actuating voltages | → 276315 |

Contact numbers to EN 50011

Coil terminal markings to EN 50005

DC operated contactor relays have a built-in suppressor circuit.

Contacts

| | | | |
|---------------------------|-------|---|---|
| Rated operational current | | | |
| AC-15 | | | |
| 220/240 V | I_e | A | 6 |
| 380/415 V | I_e | A | 4 |

Moeller GmbH, Hein-Moeller-Str. 7-11, D-53115 Bonn
 E-Mail: catalog@moeller.net, Internet: www.moeller.net, <http://catalog.moeller.net>
 Copyright 2005 by Moeller GmbH. Subject to modifications. HPL-C2005GB-INT V3.0