

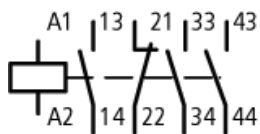
Type: **DILA-31(110V50HZ,120V60HZ)**  
 Article No.: **276361**



**Ordering information**

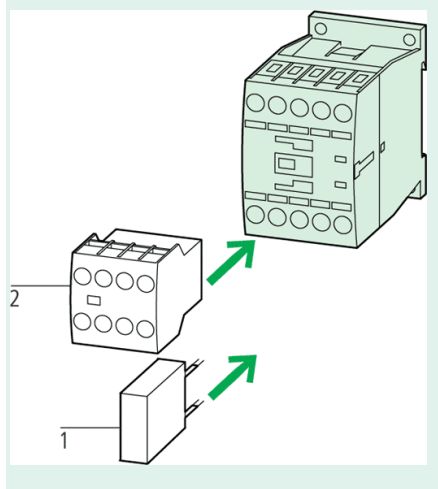
Rated operational current AC-15 220 V 230 V 240 V	$I_e$	A	6
Rated operational current AC-15 380 V 400 V 415 V	$I_e$	A	4
Conventional current, open at 60 °C	$I_{th}$	A	10
Can be combined with auxiliary contact module			DILA-XHI(V)...

**Contact sequence**



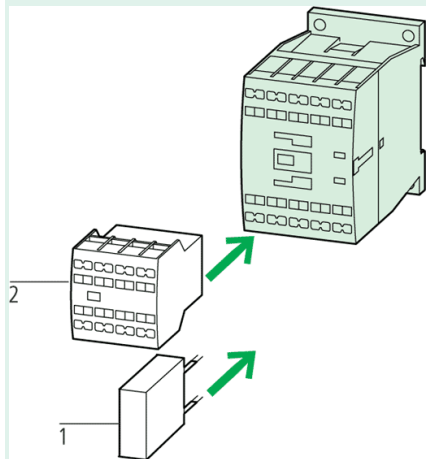
**Notes concerning the product group**

*With screw terminals:*



Accessories	Page
1 Suppressor	→ 281208
2 Auxiliary contact module	→ 276420
Further actuating voltages	→ 276315

With springloaded terminals:



Accessories	Page
1 Suppressor	→ 281208
2 Auxiliary contact module	→ 276420
Further actuating voltages	→ 276315

Contact numbers to EN 50011

Coil terminal markings to EN 50005

DC operated contactor relays have a built-in suppressor circuit.

### Contacts

Rated operational current			
AC-15			
220/240 V	$I_e$	A	6
380/415 V	$I_e$	A	4

Moeller GmbH, Hein-Moeller-Str. 7-11, D-53115 Bonn  
 E-Mail: [catalog@moeller.net](mailto:catalog@moeller.net), Internet: [www.moeller.net](http://www.moeller.net), <http://catalog.moeller.net>  
 Copyright 2005 by Moeller GmbH. Subject to modifications. HPL-C2005GB-INT V3.0