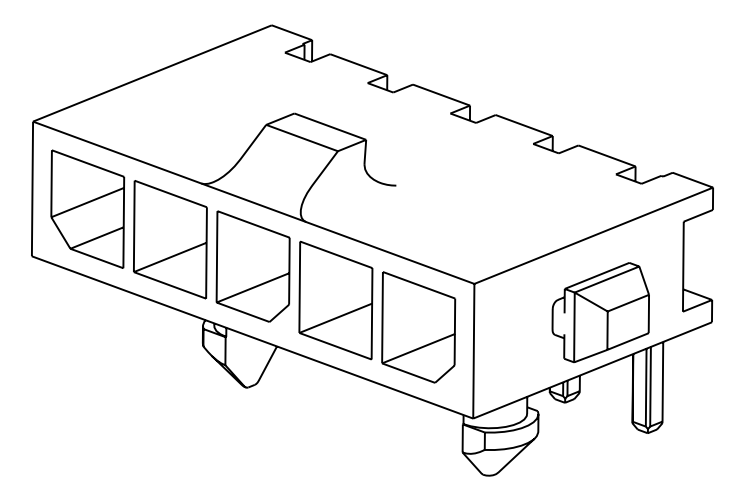
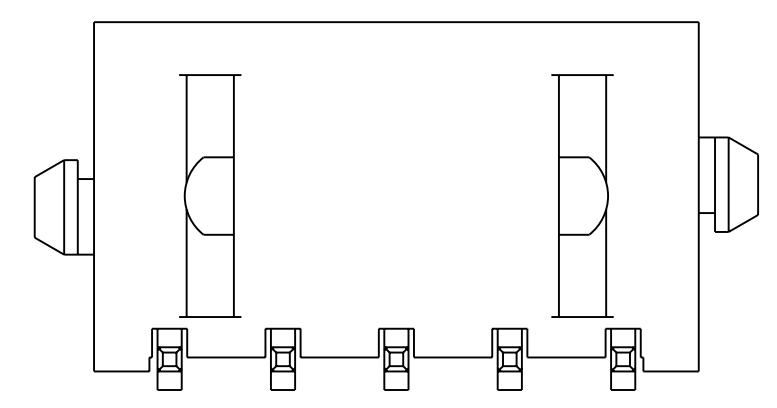
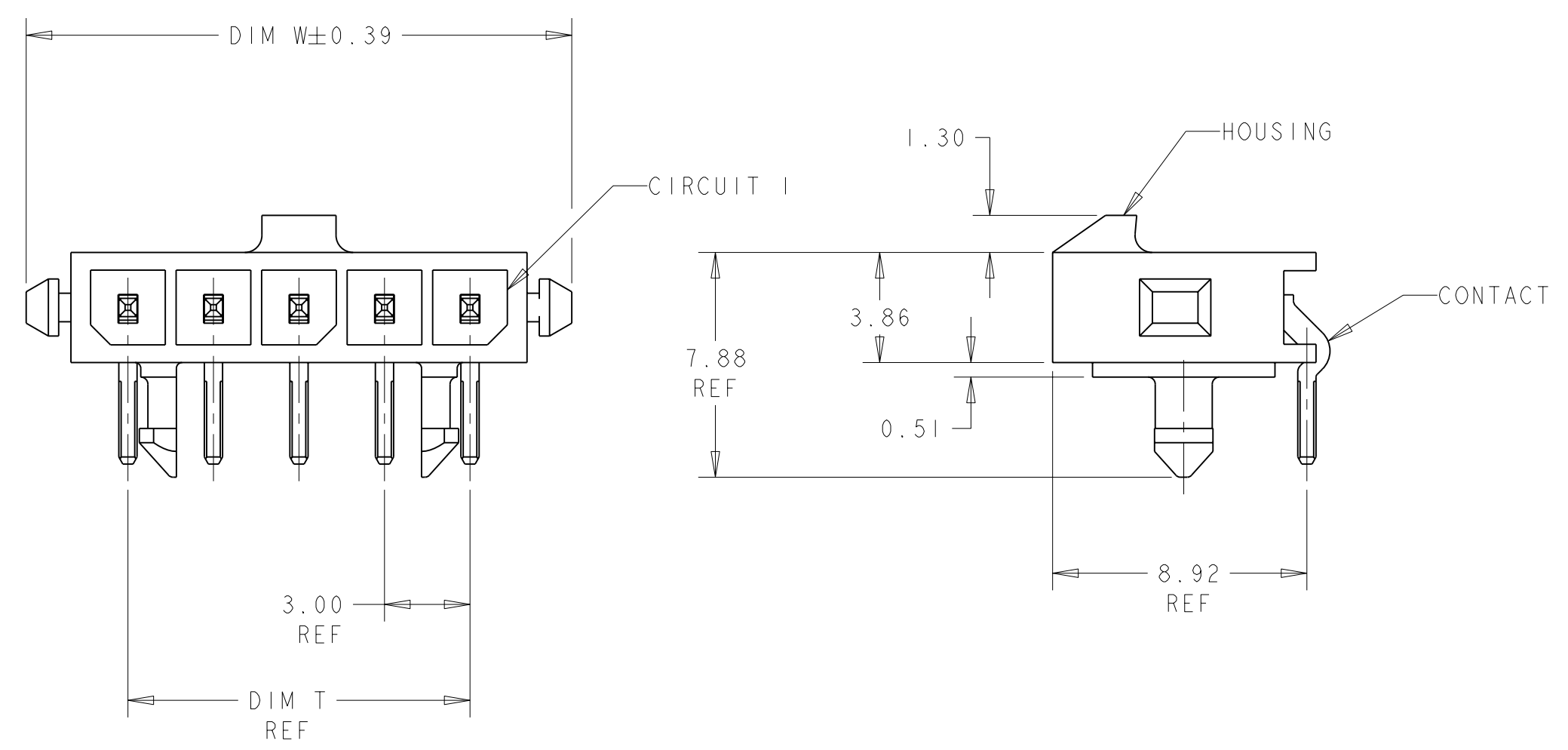


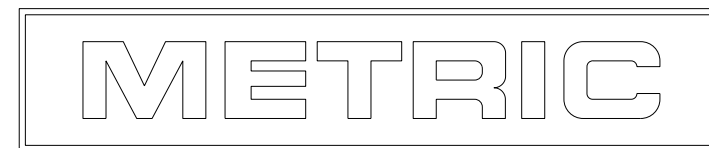
THIS DRAWING IS UNPUBLISHED. RELEASED FOR PUBLICATION .19  
 BY AMP INCORPORATED. ALL RIGHTS RESERVED.

LOC	DIST	REVISIONS					
CM	00	P	LTR	DESCRIPTION	DATE	DWN	APVD
		A		RELEASED PER 063B-0204-05	23APR05	KW	CJ



- 1 MATERIAL: CONTACTS - BRASS  
HOUSING - UL 94V-0 RATED HIGH TEMP NYLON, COLOR BLACK.
- 2 PLATING: CONTACTS - 2.54µm MINIMUM TIN-LEAD OVER 1.27µm MINIMUM NICKEL.
- 4 RECOMMENDED PC BOARD THICKNESS OF 1.57.
- 5 PLATING: CONTACTS - 2.54µm MINIMUM MATTE TIN OVER 1.27µm MINIMUM NICKEL.

FINISH	DIM Z	DIM V	DIM T	DIM W	NO. OF POSN	PART NUMBER
5	33.00	28.70	33.00	40.14	12	3-1445055-2
5	30.00	25.70	30.00	37.14	11	3-1445055-1
5	27.00	22.70	27.00	34.14	10	3-1445055-0
5	24.00	19.70	24.00	31.14	9	2-1445055-9
5	21.00	16.70	21.00	28.14	8	2-1445055-8
5	18.00	13.70	18.00	25.14	7	2-1445055-7
5	15.00	10.70	15.00	22.14	6	2-1445055-6
5	12.00	7.70	12.00	19.14	5	2-1445055-5
5	9.00	4.70	9.00	16.14	4	2-1445055-4
5	-	-	6.00	13.14	3	2-1445055-3
5	-	-	3.00	10.14	2	2-1445055-2
2	33.00	28.70	33.00	40.14	12	1-1445055-2
2	30.00	25.70	30.00	37.14	11	1-1445055-1
2	27.00	22.70	27.00	34.14	10	1-1445055-0
2	24.00	19.70	24.00	31.14	9	1445055-9
2	21.00	16.70	21.00	28.14	8	1445055-8
2	18.00	13.70	18.00	25.14	7	1445055-7
2	15.00	10.70	15.00	22.14	6	1445055-6
2	12.00	7.70	12.00	19.14	5	1445055-5
2	9.00	4.70	9.00	16.14	4	1445055-4
2	-	-	6.00	13.14	3	1445055-3
2	-	-	3.00	10.14	2	1445055-2



THIS DRAWING IS A CONTROLLED DOCUMENT FOR AMP INCORPORATED. IT IS SUBJECT TO CHANGE AND THE CONTROLLING ENGINEERING ORGANIZATION SHOULD BE CONTACTED FOR THE LATEST REVISION.

DWN J. ROOT 06OCT2000  
 CHR K. WHITAKER 13-MAR-2001  
 APVD K. WHITAKER 13-MAR-2001

**AMP** Tyco Electronics  
 Harrisburg, PA 17105-3608

NAME RIGHT ANGLE THRU HOLEHEADER ASSY, TIN CONTACTS W/PLASTIC HOLDDOWNS, SINGLE ROW, MICRO MATE-N-LOK™

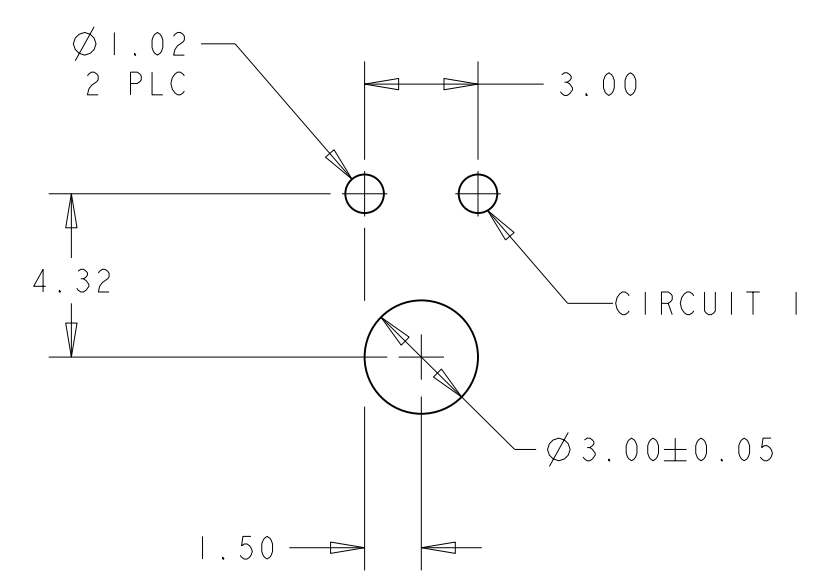
SIZE A2 CAGE CODE 00779 DRAWING NO. C-1445055

MATERIAL - 1 FINISH SEE TABLE WEIGHT -

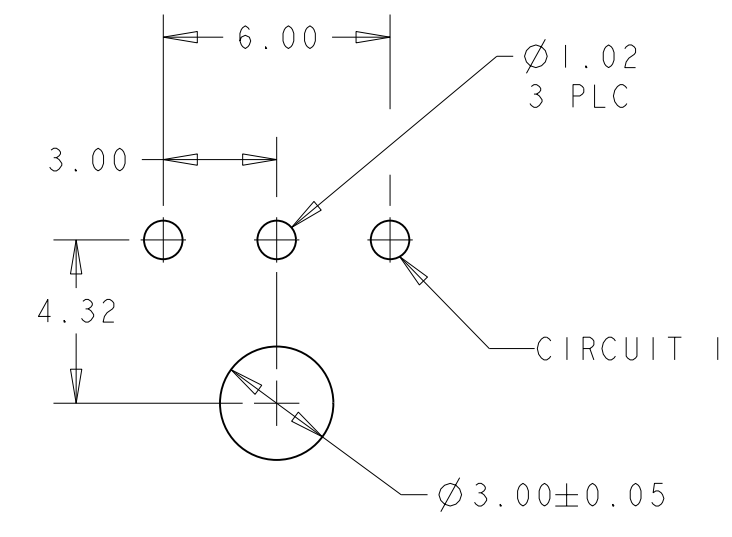
CUSTOMER DRAWING SCALE 5:1 SHEET 1 OF 2 REV A

THIS DRAWING IS UNPUBLISHED. RELEASED FOR PUBLICATION .19  
 BY AMP INCORPORATED. ALL RIGHTS RESERVED.

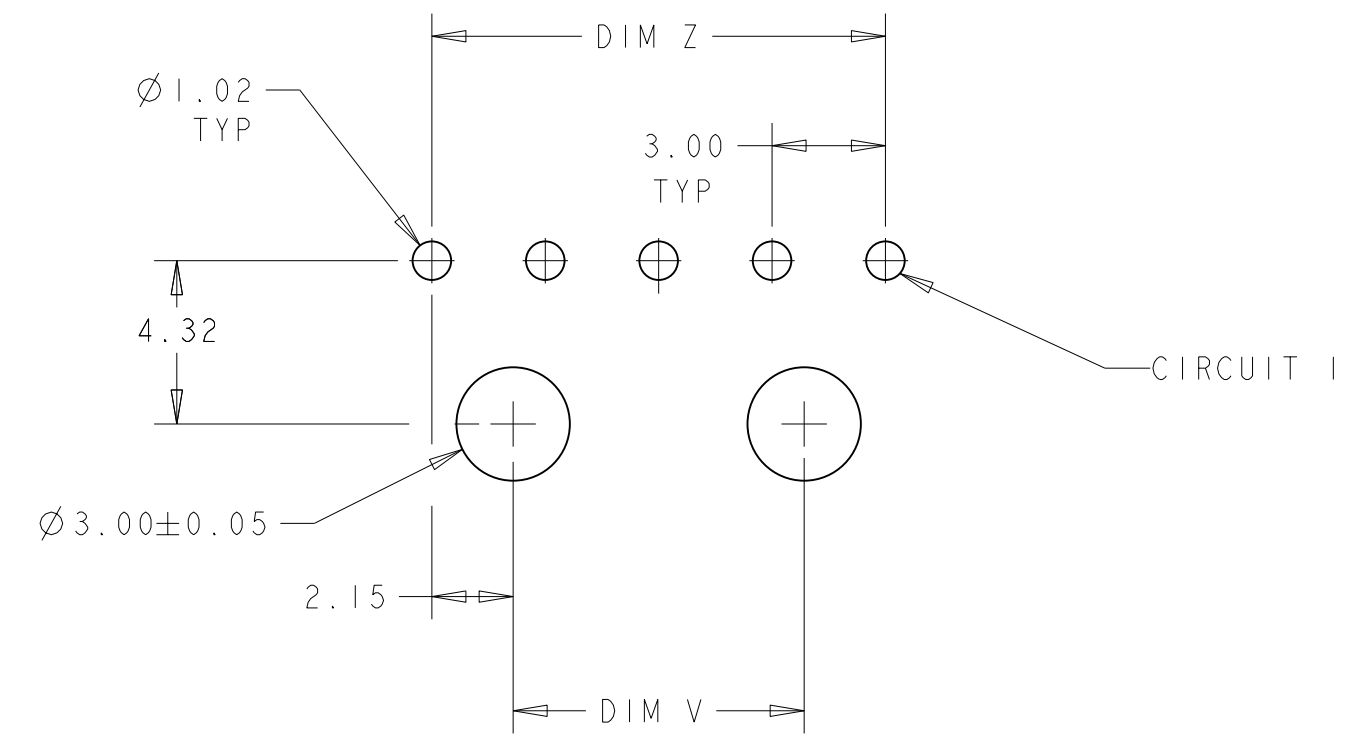
LOC	DIST	REVISIONS			
P	LTR	DESCRIPTION	DATE	DWN	APVD
CM	00	SEE SHEET 1	-	-	-



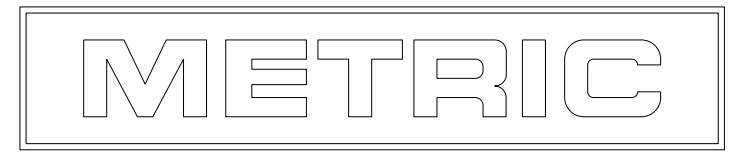
PCB LAYOUT FOR 2 POSITION  $\triangle$ 4  
 COMPONENT SIDE



PCB LAYOUT FOR 3 POSITION  $\triangle$ 4  
 COMPONENT SIDE



PCB LAYOUT FOR 4-12 POSITION  $\triangle$ 4  
 COMPONENT SIDE



THIS DRAWING IS A CONTROLLED DOCUMENT FOR AMP INCORPORATED. IT IS SUBJECT TO CHANGE AND THE CONTROLLING ENGINEERING ORGANIZATION SHOULD BE CONTACTED FOR THE LATEST REVISION.		DWN J. ROOT 06OCT2000	AMP Tyco Electronics Harrisburg, PA 17105-3608	
DIMENSIONS: mm	TOLERANCES UNLESS OTHERWISE SPECIFIED:	CHR K. WHITAKER	NAME RIGHT ANGLE THRU HOLE HEADER ASSY, TIN CONTACTS W/PLASTIC HOLDDOWNS, SINGLE ROW, MICRO MATE-N-LOK™	
	0 PLC ± 1 PLC ± 2 PLC ±0.13 3 PLC ± 4 PLC ± ANGLES ± FINISH SEE TABLE	APVD K. WHITAKER	PRODUCT SPEC -	SIZE A2
MATERIAL -		APPLICATION SPEC -	WEIGHT -	CAGE CODE 00779
		CUSTOMER DRAWING		DRAWING NO C=1445055
				SCALE 5:1 SHEET 2 OF 2 REV A