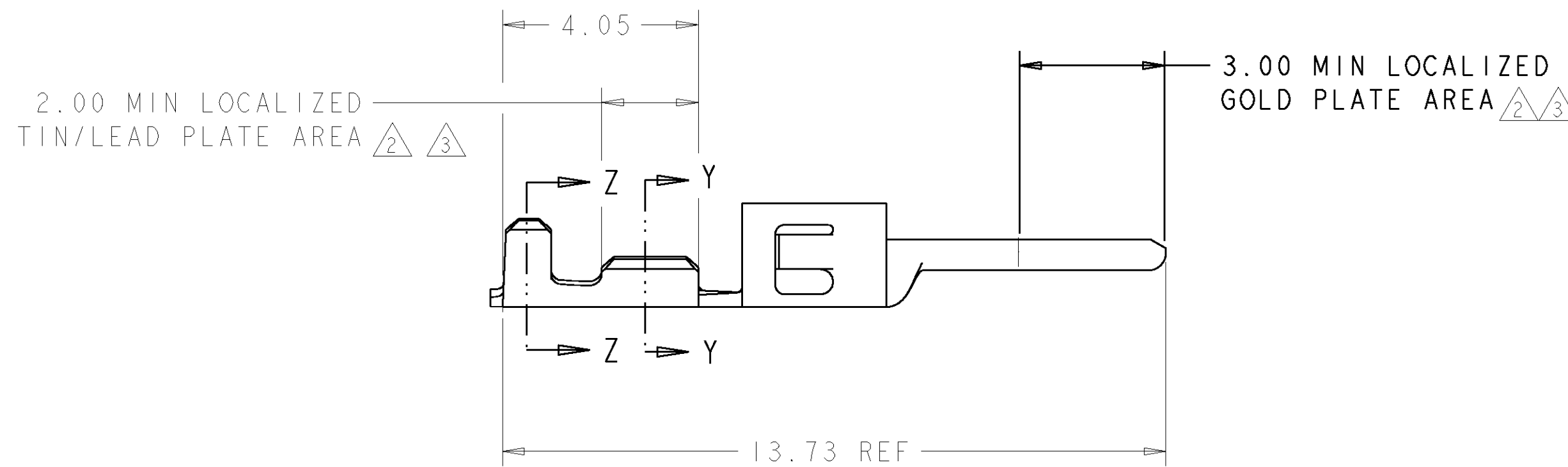
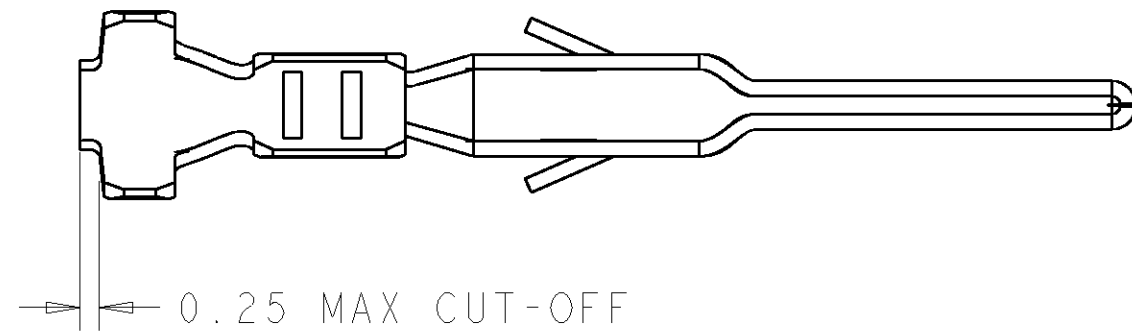


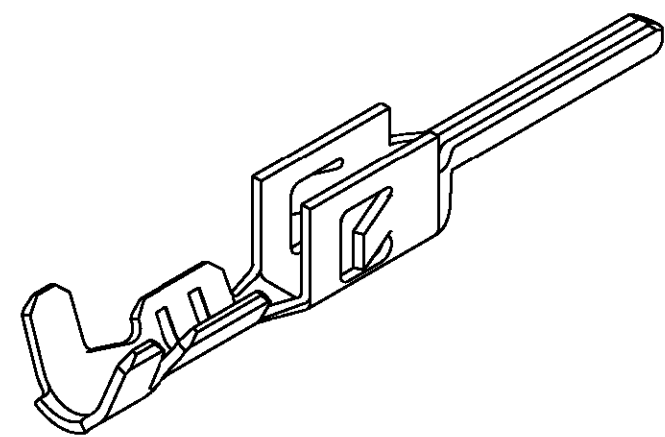
THIS DRAWING IS UNPUBLISHED. RELEASED FOR PUBLICATION 20
 © COPYRIGHT 20 BY TYCO ELECTRONICS CORPORATION. ALL RIGHTS RESERVED.

LOC	DIST	REVISIONS					
CM	00	P	LTR	DESCRIPTION	DATE	DWN	APVD
			A	REVISED PER 063B-0289-03	17-JUL-03	KW	CJ

- ① 2.5 μm MIN BRIGHT TIN/LEAD ENTIRE STOCK OVER 1.27 μm MIN NICKEL ENTIRE STOCK.
- ② 0.38 μm MIN GOLD IN LOCALIZED GOLD PLATE AREA, 2.5 μm MIN BRIGHT TIN/LEAD IN LOCALIZED TIN/LEAD PLATE AREA, BOTH OVER 1.27 μm MIN NICKEL ON ENTIRE STOCK.
- ③ 0.76 μm MIN GOLD IN LOCALIZED GOLD PLATE AREA, 2.5 μm MIN BRIGHT TIN/LEAD IN LOCALIZED TIN/LEAD PLATE AREA, BOTH OVER 1.27 μm MIN NICKEL ON ENTIRE STOCK.
- 4. WIRE RANGE 26-30 AWG.
- 5. INSULATION RANGE 0.89-1.52



③	794613-3
②	794613-2
①	794613-1
FINISH	PART NUMBER



METRIC

THIS DRAWING IS A CONTROLLED DOCUMENT FOR TYCO ELECTRONICS CORPORATION. IT IS SUBJECT TO CHANGE AND THE CONTROLLING ENGINEERING ORGANIZATION SHOULD BE CONTACTED FOR THE LATEST REVISION.		DWN	W J RUDY	29AUG2000	Tyco Electronics Harrisburg, PA 17105-3608	
DIMENSIONS:		CHK	W DAVIS	29AUG2000		
mm		APVD	W DAVIS	29AUG2000		
		PRODUCT SPEC		-		
TOLERANCES UNLESS OTHERWISE SPECIFIED:		APPLICATION SPEC		-	NAME	PLUG CONTACT, CRIMP SNAP, 26-30 AWG, LOOSE PIECE, MICRO MATE-N-LOK™
0 PLC	±	WEIGHT		-	SIZE	A2
1 PLC	±	CUSTOMER DRAWING		-	CAGE CODE	00779
2 PLC	±0.13	SCALE		10:1	DRAWING NO	G-794613
3 PLC	±	SHEET		1	RESTRICTED TO	-
4 PLC	±	OF		1	REV	A
ANGLES	±	REV		A		
FINISH	-					