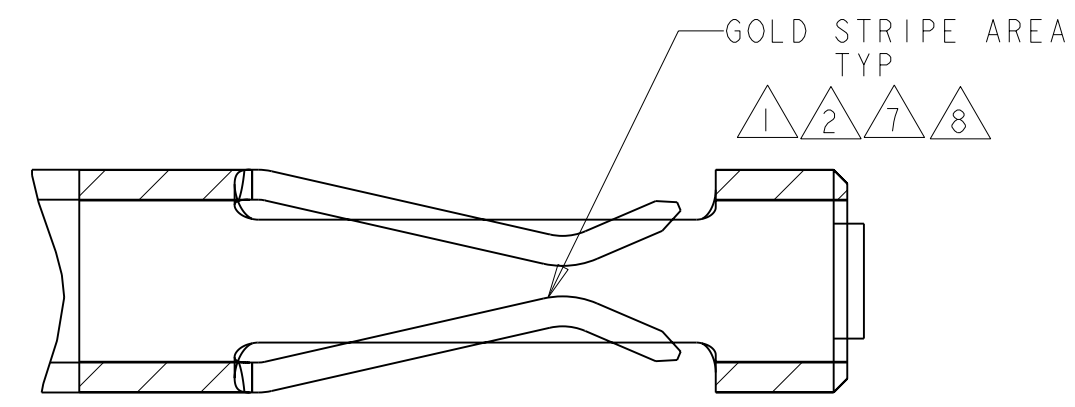
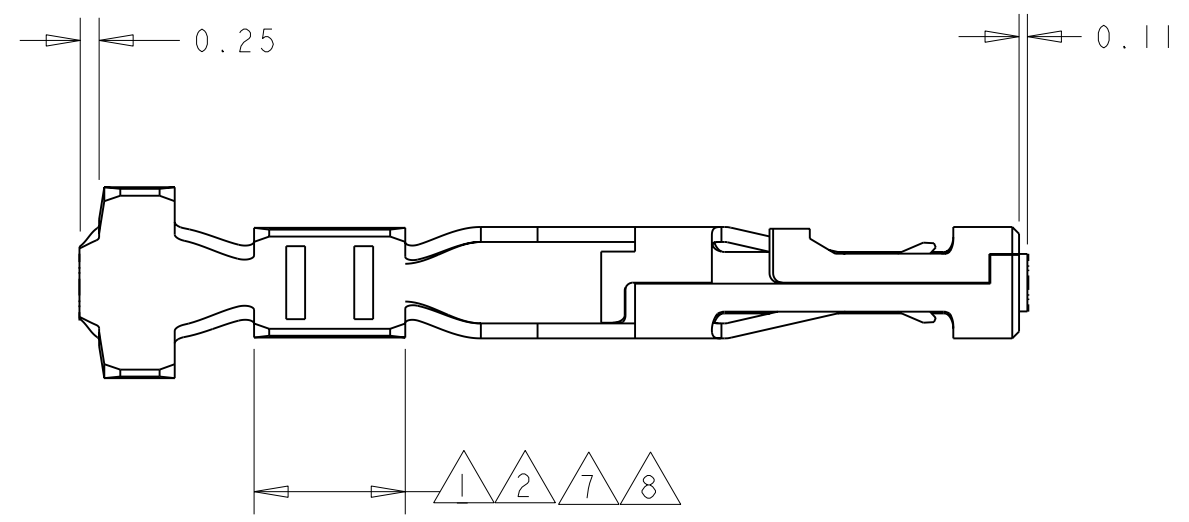
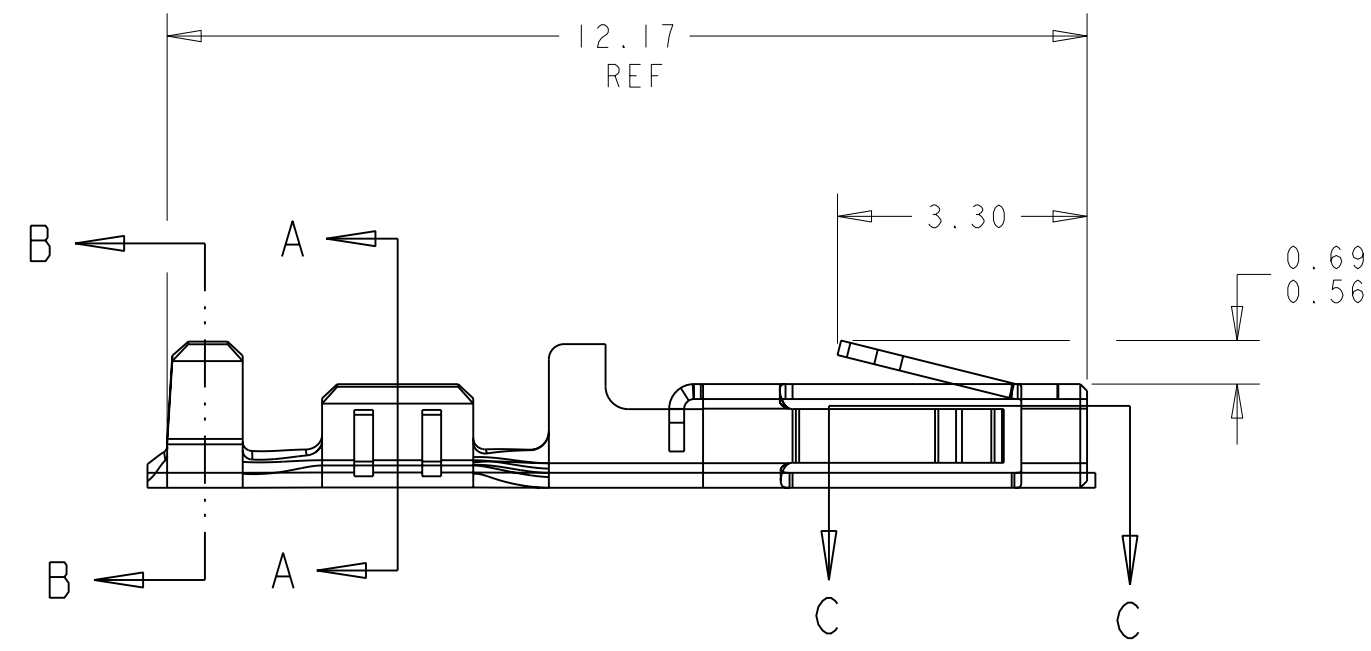


THIS DRAWING IS UNPUBLISHED. RELEASED FOR PUBLICATION  
 © COPYRIGHT 19 BY TYCO ELECTRONICS CORPORATION. ALL RIGHTS RESERVED.

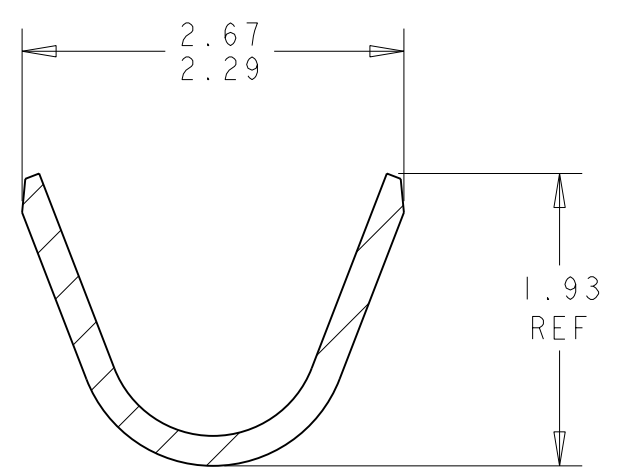
| LOC |     | DIST        |                          | REVISIONS |      |    |  |
|-----|-----|-------------|--------------------------|-----------|------|----|--|
| P   | LTR | DESCRIPTION | DATE                     | DWN       | APVD |    |  |
| CM  | 53  | C           | REVISED PER 0G3B-0210-05 | 22-APR-05 | KW   | CJ |  |



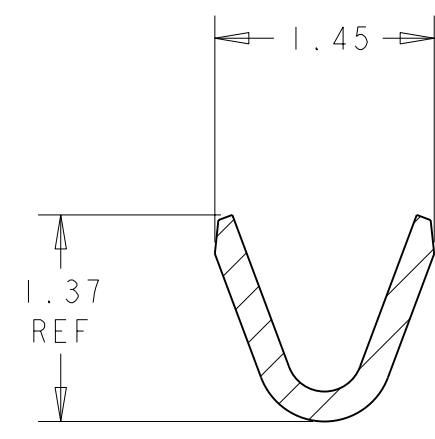
- 1 0.000762 THK GOLD STRIPE IN THE GOLD PLATE AREA, BRIGHT TIN IN THE CRIMP AREA, OVER NICKEL PLATE.
- 2 0.000381 THK GOLD STRIPE IN THE GOLD PLATE AREA, BRIGHT TIN IN THE CRIMP AREA, OVER NICKEL PLATE.
- 3 0.0015 - 0.0040 THK BRIGHT TIN.
- 4 WIRE RANGE: 26 - 30 AWG.
- 5 INSULATION RANGE 0.89 - 1.524.
- 7 0.000762 THK GOLD STRIPE IN THE GOLD PLATE AREA, BRIGHT TIN-LEAD IN THE CRIMP AREA, OVER NICKEL PLATE.
- 8 0.000381 THK GOLD STRIPE IN THE GOLD PLATE AREA, BRIGHT TIN-LEAD IN THE CRIMP AREA, OVER NICKEL PLATE.



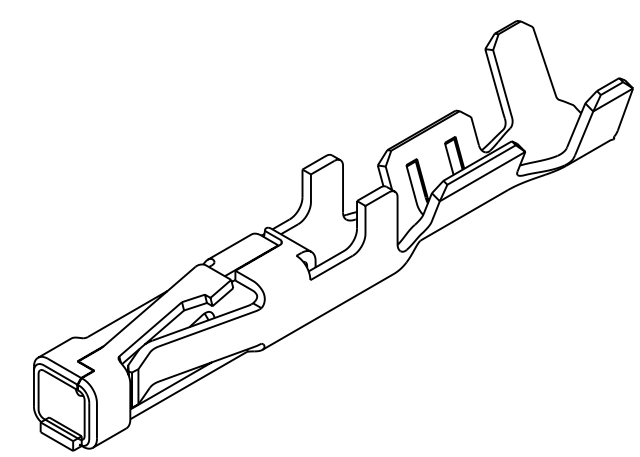
SECTION C-C  
SCALE 20:1



SECTION B-B  
SCALE 20:1

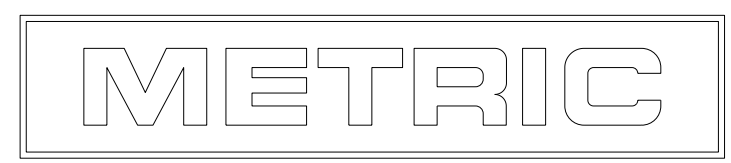


SECTION A-A  
SCALE 20:1



3 DIMENSIONAL MODEL  
SCALE 8:1

|        |             |
|--------|-------------|
| 1      | 1-794611-2  |
| 2      | 1-794611-1  |
| 7      | 794611-3    |
| 8      | 794611-2    |
| 3      | 794611-1    |
| FINISH | PART NUMBER |



|  |  |  |  |
|--|--|--|--|
| <small>THIS DRAWING IS A CONTROLLED DOCUMENT FOR TYCO ELECTRONICS CORPORATION. IT IS SUBJECT TO CHANGE AND THE CONTROLLING ENGINEERING ORGANIZATION SHOULD BE CONTACTED FOR THE LATEST REVISION.</small> |  | DWN K. WHITAKER 19-OCT-1999<br>CHK K. COBLE 19-OCT-1999<br>APVD K. COBLE 19-OCT-1999 | <b>AMP</b> AMP Incorporated<br>Harrisburg, PA 17105-3608   |
| DIMENSIONS:<br>mm<br><br>  | TOLERANCES UNLESS OTHERWISE SPECIFIED:<br>0 PLC ±<br>1 PLC ±<br>2 PLC ±0.13<br>3 PLC ±<br>4 PLC ±<br>ANGLES ±0.30°<br>FINISH SEE TABLE | PRODUCT SPEC -<br>APPLICATION SPEC -<br>WEIGHT -<br>CUSTOMER DRAWING                 | NAME CONTACT, RECEPTACLE, CRIMP SNAP-IN, MICRO MATE-N-LOK™<br>SIZE A2 CAGE CODE 00779 DRAWING NO C=794611 RESTRICTED TO -<br>SCALE 10:1 SHEET 1 OF 1 REV C |

794611

A