



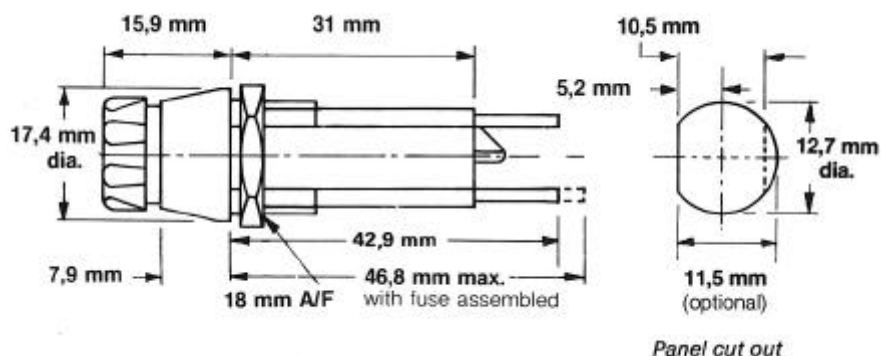

## L1744A PANEL FUSEHOLDER BAYONET LOCKING

Design facilitates use for size 0 fuse links. A slim, robust panel fuseholder for 32mm x 6.3mm fuselinks with bayonet locking cap and a special internal insulation barrier designed to give it superior breakdown voltage performance. It accepts 6.3mm x 0.81mm solderless snap-on connectors.

A rubber washer is supplied under the cap and under the flange. Mounting on the panel is through a single hole shaped to engage the anti-swivel flats on the fuseholder.

<b>CURRENT RATING:</b>	<b>10A (temperature rise &lt;math&gt;&lt;40^{\circ}\text{C}&lt;/math&gt;)</b>
<b>TEMPERATURE RANGE:</b>	<b>-55 °C to +70 °C (ambient)</b>
<b>BREAKDOWN VOLTAGE (AC):</b>	<b>&gt;4kV</b>
<b>INSERTION RESISTANCE</b>	<b>5 milliohms (average)</b>
<b>INSULATION RESISTANCE</b>	<b>&gt;100 megohms</b>
<b>PANEL THICKNESS (MAX):</b>	<b>7.9mm</b>
<b>FIXING TORQUE:</b>	<b>1.0 Nm</b>
<b>HUMIDITY:</b>	<b>21 days (BS2011 – IEC 68-1)</b>
<b>MATERIAL:</b>	<b>Mouldings, phenolic Contacts, brass, silver plated</b>
<b>APPROVALS:</b>	<b>UL</b>

ORDERING REFERENCE: L1744A



BLP reserve the right to change without prior notice the information contained within this leaflet

BLP Components Ltd., Exning Road, Newmarket, Suffolk, CB8 0AX, England  
Tel: +44 (0)1638 665161 Fax: +44 (0)1638 660718 email: sales@blpcomp.com http://www.blpcomp.com