

**L562 MINIATURE GLASS FUSE LINKS**



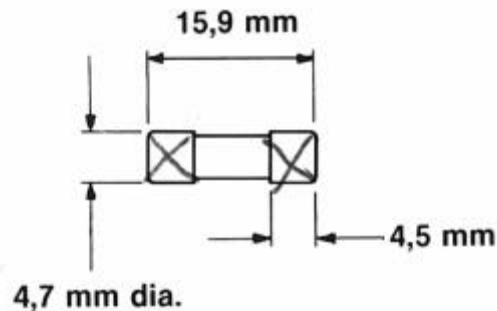
This range of size 00 (15.9mm x 4.7mm) fuse links is widely used for circuit protection in the telecommunications and electronics industries.  
 Ratings from 50mA to 150mA blow within 10 seconds at three times their rated current.  
 Ratings 250mA to 7A blow within 10 seconds at twice their rated current.

**BREAKING CAPACITY** (see table below)  
**LIFE:** 1,000 hours continuous at rated current at 25°C.  
**MARKING:** Rated value on cap

**ORDERING REFERENCE: L562/CURRENT RATING IN AMPERES**

Rating	Rated voltage	
	d.c. *	a.c. **
50 mA	900 V	250 V
100 mA	900 V	250 V
150 mA	600 V	250 V
250 mA	600 V	250 V
350 mA	300 V	250 V
500 mA	300 V	250 V
1 A	200 V	150 V
2,5 A	150 V	150 V
4 A	60 V	60 V
5 A	60 V	60 V
7 A	60 V	60 V

\*Based on maximum breaking capacity at 10 I<sub>n</sub> rating.  
 \*\*Based on maximum breaking capacity at 10 I<sub>n</sub> rating or 35 A whichever is the greater.



BLP reserve the right to change without prior notice the information contained within this leaflet

BLP Components Ltd., Exning Road, Newmarket, Suffolk, CB8 0AX, England  
 Tel: +44 (0)1638 665161 Fax: +44 (0)1638 660718 email: sales@blpcomp.com http://www.blpcomp.com