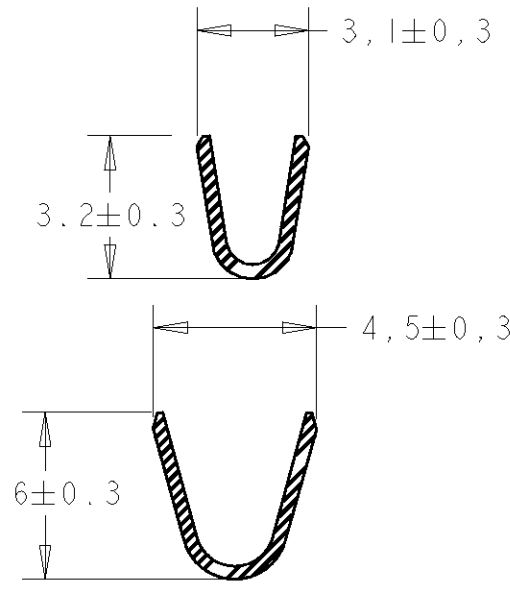
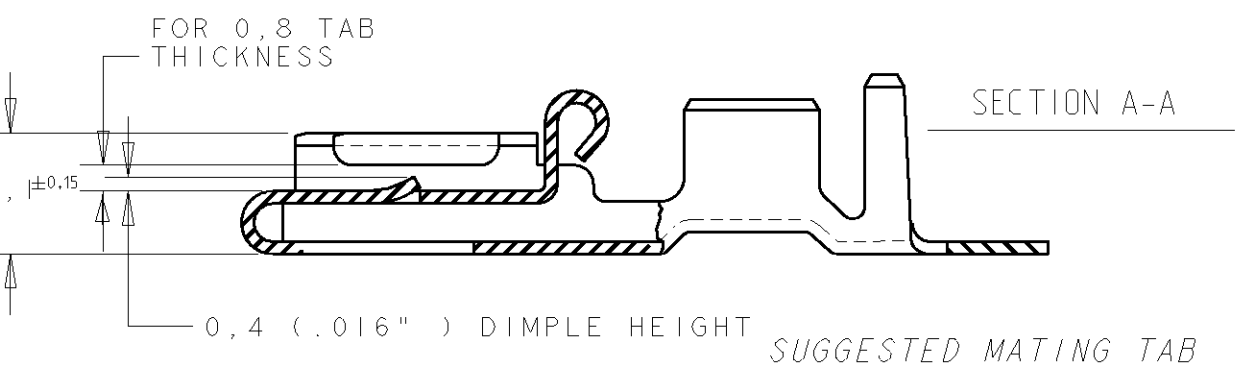
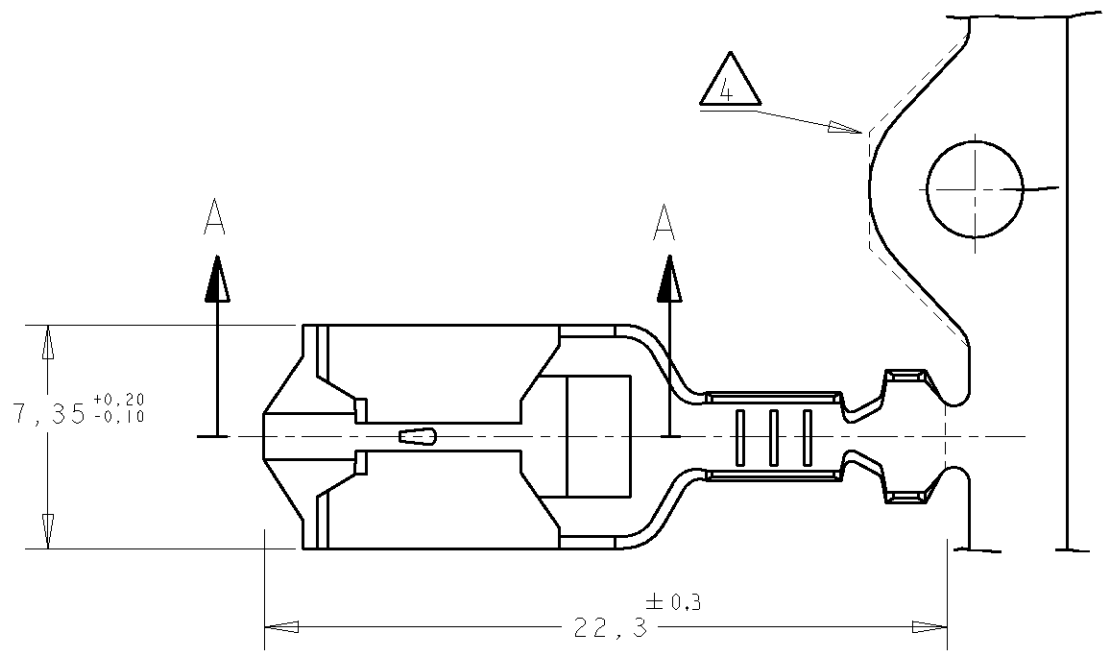
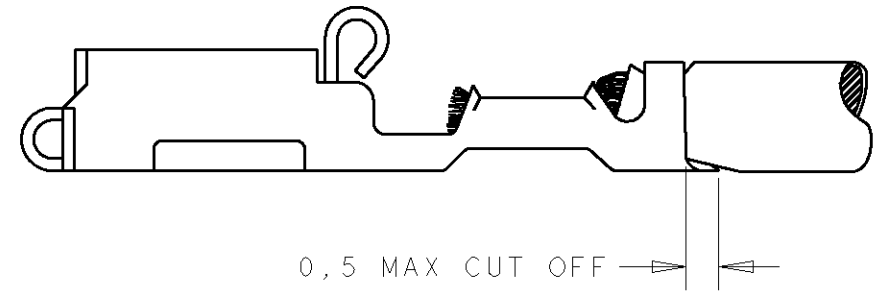


THIS DRAWING IS UNPUBLISHED. RELEASED FOR PUBLICATION 20  
 © COPYRIGHT 20 BY TYCO ELECTRONICS CORPORATION. ALL RIGHTS RESERVED.

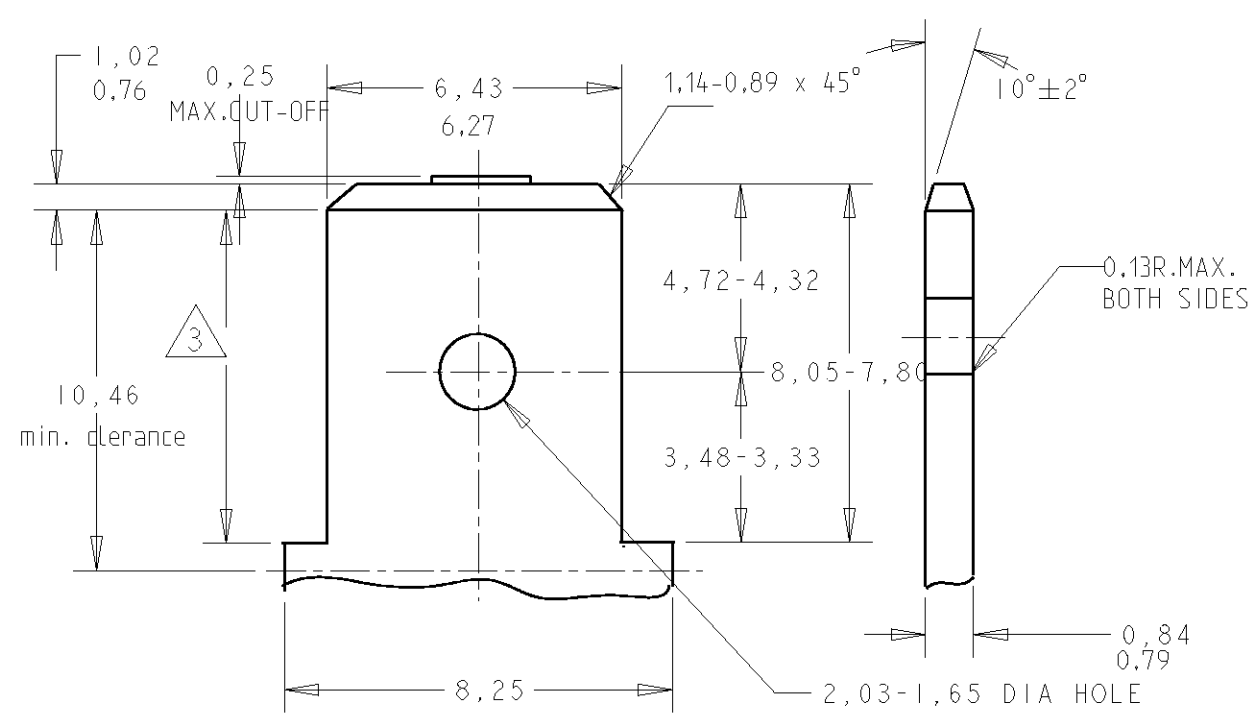
LOC	DIST	REVISIONS			
P	LTR	DESCRIPTION	DATE	DWN	APVD
AL	2	AC	REVISED BY ES00-0040-02	02APR02	J.L J.L
		AD	REVISED BY ES00-05-0095	14/DEC/05	J.L JL
		AD1	REVISED PER ECO-10-000444	09JAN10	KK AEG
		AD2	ECR-10-009742	29JUN10	RK SRE

NOTES:

- 1 FOR USE ON STANDARD APPLICATOR (RIGHT-LEFT FEED)
- 2 FOR USE ON MINIATURE APPLICATOR (LEFT-RIGHT FEED)
- 3 FOR USE ON MINIATURE APPLICATOR (LEFT-RIGHT FEED) AMPOMATOR APPLICATION.
- 4 CONFIGURATION OF CARRIER-STRIP OPTIONAL
- 5 OBSOLETE PARTS: OBSOLETE CIS STREAMLINING PER D.RENAUD/D.SINISI



- 1- MATL. 1/2H BRASS OR NICKEL PL. STEEL.
- 2- NO BURRS PERMISSIBLE AT HOLE
- 3- MUST BE FLAT WITHIN 0.076 OVER THIS LENG.
- 4- TIN PLATING IS REQUIRED ON BRASS WHEN TERMINAL TEM. IS OVER 225°F
- 5- HOLE MUST BE SYMETRICAL ABOUT TAB CENTER WITHIN 0.076



FINISH	MATERIAL	PARTNUMBER
OBSELETE	UNPLATED	NICKEL SILVER
	TIN PLATED	PH.BRONZE
	UNPLATED	NICKEL SILVER
5 OBSELETE	HOT DIP PRETIN.	PH.BRONZE
SUPERSEDED BY 160759-4	TIN-LEAD	PH.BRONZE
	SILVERPLATED	BRASS
5 OBSELETE	UNPLATED	BRASS
	HOT DIP PRETIN.	BRASS
	TIN PLATED	BRASS
	NICKEL PLATED	PH.BRONZE
	NICKEL PLATED	PH.BRONZE
5 OBSELETE	SILVERPLATED	PH.BRONZE
	SILVERPLATED	PH.BRONZE
5 OBSELETE	HOT DIP PRETIN.	BRASS
	HOT DIP PRETIN.	PH.BRONZE
	HOT DIP PRETIN.	BRASS
5 OBSELETE	PRETINNED	PH.BRONZE
	TIN PLATED	PH.BRONZE
	TIN PLATED	BRASS
	UNPLATED	PH.BRONZE
	UNPLATED	BRASS
5 OBSELETE	PRETINNED	PH.BRONZE
	TIN PLATED	PH.BRONZE
	TIN PLATED	BRASS
	UNPLATED	PH.BRONZE
	UNPLATED	BRASS

THIS DRAWING IS A CONTROLLED DOCUMENT FOR TYCO ELECTRONICS CORPORATION IT IS SUBJECT TO CHANGE AND THE CONTROLLING ENGINEERING ORGANIZATION SHOULD BE CONTACTED FOR THE LATEST REVISION.

DWN	J.Z	16-11-95	Tyco Electronics AMP Española S.A. Barcelona-Spain
CHK	A. BIJNEN	17-11-95	
APVD	-	-	NAME
PRODUCT SPEC			POSITIVE LOCK REC. .250 (6,35) SERIES
APPLICATION SPEC			
MATERIAL	SEE TABLE	FINISH	SEE TABLE
WEIGHT	-	SIZE	A3
CUSTOMER DRAWING	SCALE	CAGE CODE	00779
	SHEET	DRAWING NO	C-160759
	OF	RESTRICTED TO	-
	REV	AD2	