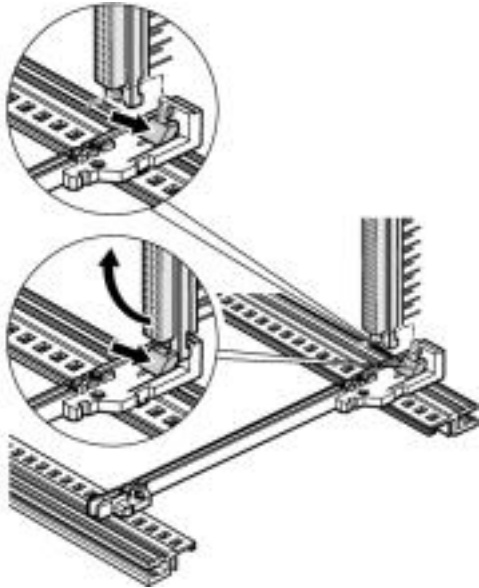


Guide rails with integrated connector mounting which is EN 60603 compliant

[Print page](#)



**Article number: 64560-075**

**Standard pack quantity: 20**

Simple and low-cost assembly of connectors due to snap feature as alternative for Z-rails or horizontal rails with integrated Z-rails

- For single euroboard format 100 × 160 mm or 100 × 220 mm; **not suitable for double euroboard format**
- delivery comprises: 1 pair (for 1 x at bottom and 1 x top)

**Technical data:**

Board length	Groove width	Colour	Qty/PU	Description
220 mm	2 mm	red	1	standard, with DIN connector mounting

**Accessories:**

Article number	Description
24560-255	ESD clip for guide rail PU 50 pieces
24560-141	Pan head screw with Torx 2.5 × 9.3, zinc-plated, PU 100 pieces

**Notes:**

- Delivery is in standard pack multiple. Pricing is per individual item

**Further Information:**



3D PDF with CAD data (STEP/DWG/DXF/PDF)