

## FEATURES AND SPECIFICATIONS

### Features and Benefits

- Available in Tin or Gold platings
- Available in Brass or Phosphor Bronze base materials
- Accommodates 18 to 30 gauge wire

### Reference Information

Packaging: Bag or reel  
 UL File No.: E29179  
 CSA File No.: LR19980  
 Designed In: Inches

### Electrical

Contact Resistance: 3.2mΩ max.

### Physical

Contact: Brass or Phosphor Bronze  
 Plating: Tin or Gold  
 Temperature: -40 to +105°C

### Mechanical

Contact Insertion Force: 3.5 lb max.  
 Durability: Tin plating—25 cycles max.  
 Gold plating—50 cycles max.

Terminal Crimp Strength: Minimum pull-out force in kg (lb) for AWG wire sizes

AWG Wire Size	Minimum Pull-out Force kg (lb)	AWG Wire Size	Minimum Pull-out Force kg (lb)
18	9.07 (20)	26	2.27 (5)
20	6.80 (15)	28	1.36 (3)
22	4.54 (10)	30	0.91 (2)
24	3.63 (8)		

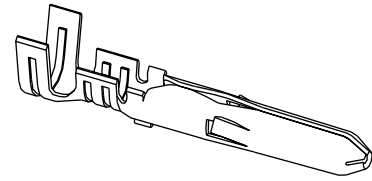
Engage/Disengage Forces: Miniature terminal of 0.20mm (.008") stock 70/30 Brass. Average engage/disengage forces in plug/receptacle connector with +30% tolerance in kg (lb) by circuit:

Circuits	Engage/Disengage Force	
1	1.04/0.36	(2.30/0.80)
2	2.09/0.73	(4.60/1.60)
3	3.13/1.09	(6.90/2.40)
4	4.17/1.45	(9.20/3.20)
5	5.22/1.81	(11.50/4.00)
6	6.26/2.18	(13.80/4.80)
8	8.35/2.90	(18.40/6.40)
9	9.39/3.27	(20.70/7.20)
12	12.43/4.35	(27.40/9.60)
15	15.65/5.44	(34.50/12.00)
24	25.04/8.71	(55.20/19.20)
36	37.56/13.08	(82.80/28.80)

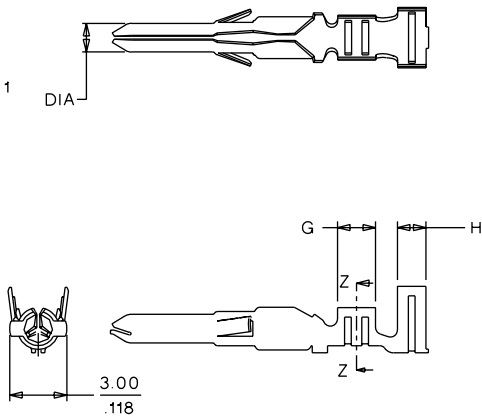
.006 Phosphor Bronze stock recommended for versions 15 circuits and larger

# molex® 1.57mm (.062") Diameter .062" Pin and Socket Male Terminals

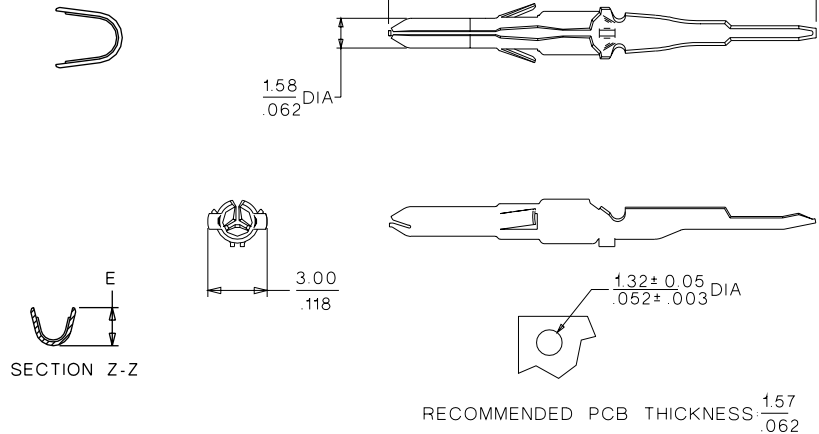
## Standard .062"



## STANDARD



## PC TAIL



## ORDERING INFORMATION

Type	Plating	Crimp Wire Size	Insulation Diameter	Series	Order No.	
					Chain	Loose
Standard Brass .008"	Tin	18-24	1.52/3.05 (.060/.120)	1560	• 02-06-2101	• 02-06-2103
		24-30	1.02/2.29 (.040/.090)	1854	• 02-06-2131	• 02-06-2132
	15μ" Gold	18-24	1.52/3.05 (.060/.120)	1560	• 02-06-6100	• 02-06-6103
		24-30	1.02/2.29 (.040/.090)	1854	• 02-06-6130	• 02-06-6135
	30μ" Gold	18-24	1.52/3.05 (.060/.120)	1560	02-06-6101	02-06-6102
		24-30	1.02/2.29 (.040/.090)	1854	02-06-6138	02-06-6139
30μ" Gold Contact Tin/Lead Crimp	18-24	1.52/3.05 (.060/.120)	1560	02-06-6118	02-06-6119	
	24-30	1.02/2.29 (.040/.090)	1854	02-06-6143	02-06-6144	
.006" Phosphor Bronze	Tin	18-24	1.52/3.05 (.060/.120)	1786	02-06-2201	02-06-2202
		24-30	1.02/2.29 (.040/.090)	2190	02-06-2231	02-06-2232
	.008" Gold (15μ")	18-24	1.52/3.05 (.060/.120)	1786	02-06-6201	02-06-6202
.008" PC Tail Brass for Standard .062" Housings Only	Tin			1778		• 02-06-8103
	20μ" Gold Tin/Lead Tail Area			1778		02-06-6122

• US Standard Product, available through Molex franchised distributors

Power Connectors

K