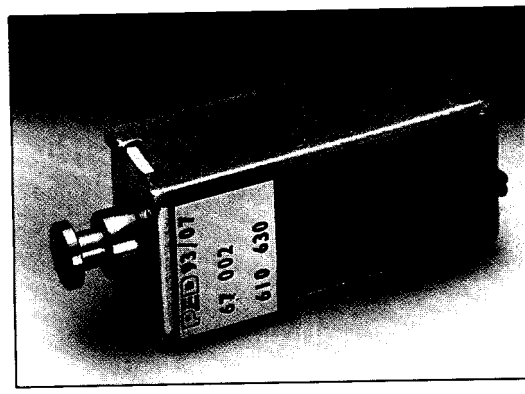


530 270/281

Solenoids

Series 67 Latching Solenoid



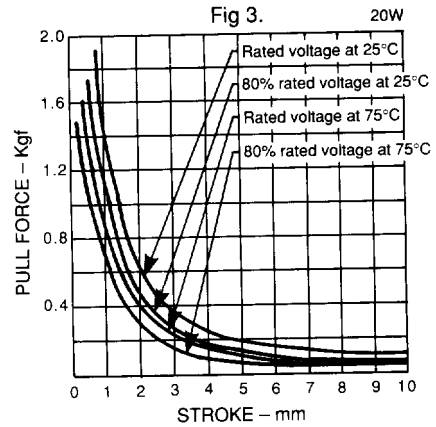
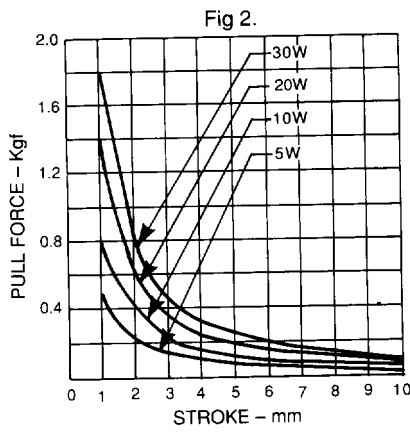
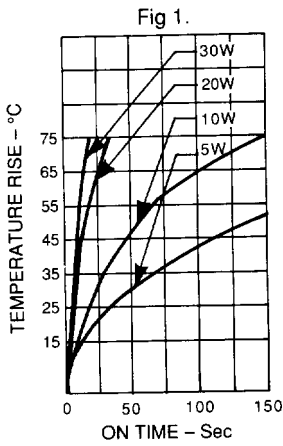
GENERAL DESCRIPTION

- DC pulse operated
- Magnet maintained for zero power consumption
- Ideal for low energy applications (i.e. dry cells)

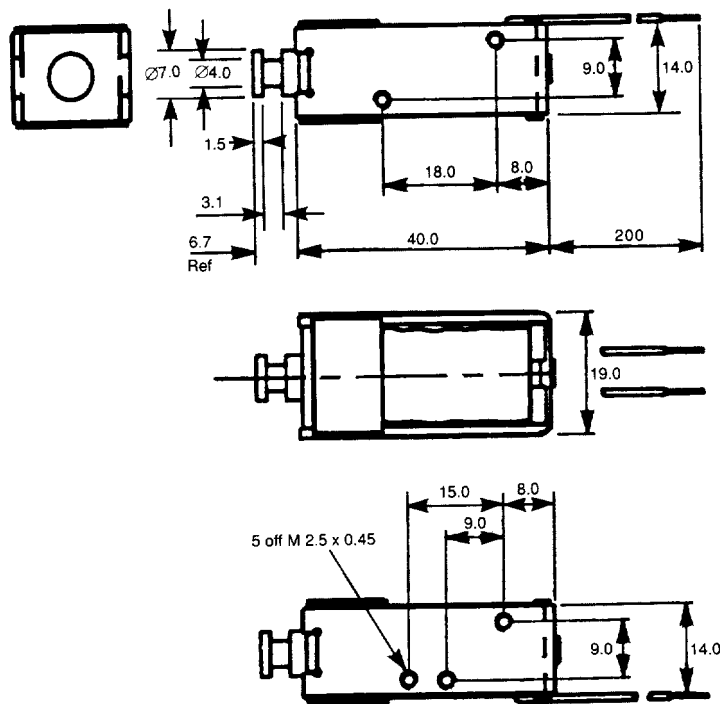
PERFORMANCE

	ITEM	SPECIFICATION
Electrical	Dielectric strength	500V RMS 50Hz
	Drive details (released by polarity reversal)	(i) DC control 5, 6, 12, 24 & 48V available as standard. (ii) 5, 10, 20 & 30 watt versions available as standard. Max pulse durations shown in fig 1. (iii) Single coil construction. Apply +ve on Red to operate and -ve on Red to release. An external force is required to retract the plunger to the open position.
Mechanical	Permanent magnet holding force.	1 Kgf typical (Measured after applying rated voltage at 25°C)
	Weight	35g
Environmental	Operating temperature	-5°C to +75°C

FORCE/STROKE CURVE



DIMENSIONS (mm)



CODING

		6 7	1 2 0	6 1 0	X X 0	
Coil			5W	10W	20W	30W
	5V		50	51	52	53
	6V		54	55	56	57
	12V		62	63	64	65
	24V		72	73	74	75
	48V		84	85	86	87

Coil resistance, calculate $R = \frac{V^2}{W}$



COMPONENTS
CUSTOMER DRIVEN
INNOVATION

We reserve the right to change without prior notice the information contained in this leaflet

Consumer Protection Act 1987 and Health & Safety at Work Act etc., 1974

Our products are designed, manufactured and tested to high quality standards. Some of them are capable of being operated by and capable of switching high voltages and/or currents. Care must therefore be exercised in the installation, protection and use of such products. If in any doubt please contact your supplier or PED Engineering Department immediately.

Exning Road, Newmarket, Suffolk CB8 0AX, England
Tel: (0638) 665161 Telex: 81245 BLP Fax: (0638) 660718

