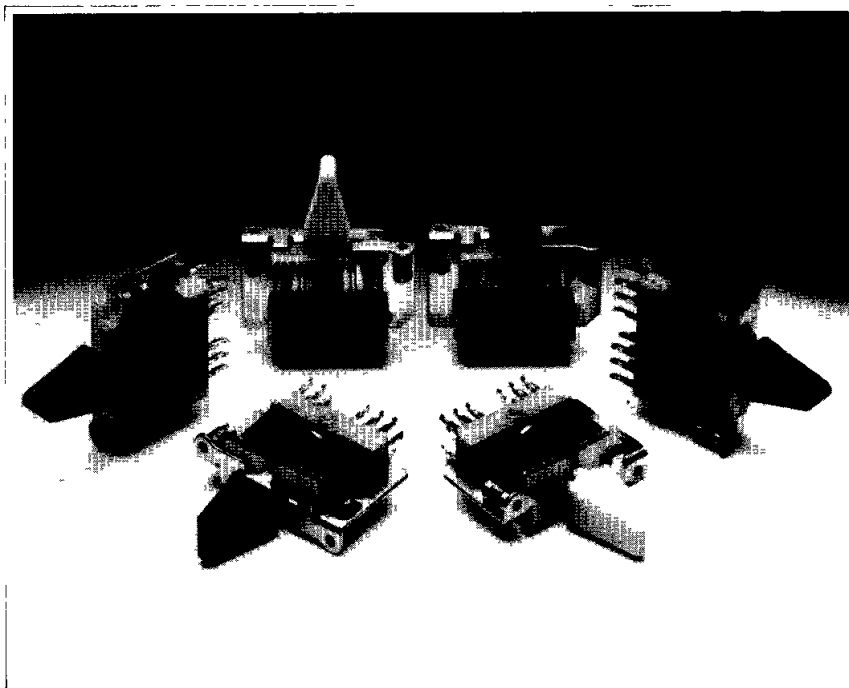


Miniature Lever Series 80

103-836



Description

Small rugged lever switches accommodating a maximum of 24-comb operated twin contacted springs in various switching combinations. The Keys are designed for close pitch panel mounting and have a positive toggle action to eliminate 'follow-through'. A choice of snap-on coloured handles is available for easy circuit identification.

Switching Action

Combinations of Locking, Non-locking and Stop functions available.

Spring Sets

Bifurcated contacts up to 24 springs enable a maximum of 4 changeover functions in either direction or 8 changeover functions in one direction. Details of possible combinations are available on request.

Contact Materials and Ratings

Fine Silver Suitable for AC or DC operation at up to 250V with a maximum current of 300mA. Contact power capacity limited to 75VA or 10W.

Silver-Gold plate

Suitable for AC or DC operation at up to 250V with a maximum current of 150mA AC or 100mA DC. Contact power capacity limited to 30VA or 5W.

Other contact materials available on request.

Insulation Resistance

Spring to Spring and Spring to Frame greater than 1,000MΩ at 500V DC.

Contact Gap

Greater than 0.254mm for Make and Change-over types. Greater than 0.178mm for Make before Break types.

Contact Force

Not less than 15gm initially reducing to 10gm at end of life.

Mechanical Life Expectancy

Greater than 750,000 operations.

Handles

Snap-on British Telecom Type 18 handles with or without inserts are available in a range of colours.

Approval

Versions approved by British Telecom available.

Mounting

The key design allows panel mounting to the following minimum dimensions between centres:

Horizontal 15.87mm
 Vertical 48.40mm

Standard fixing is provided by two 2.5mm screws and spacers supplied loose with each key.

N.B. Keys supplied to British Telecom specifications do not include fixing screws and have 8 BA fixings.

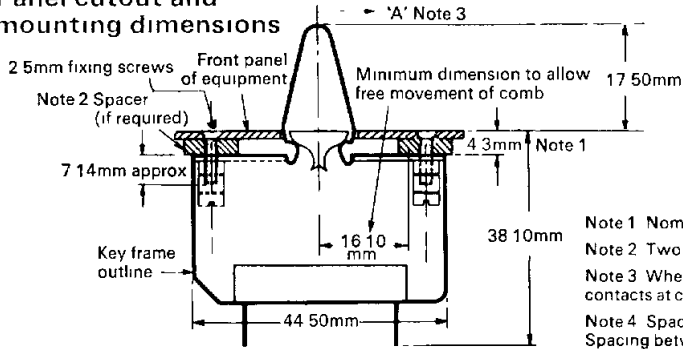
Terminations

Pre-tinned tags suitable for solder connections.

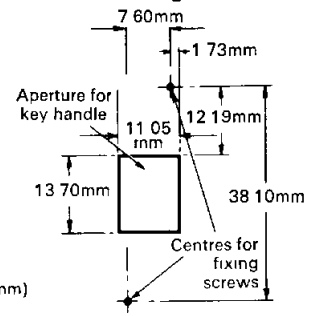
Standard Finish

Key Frames and captive nuts are zinc plated and passivated.

Panel cutout and mounting dimensions



Mounting details



- Note 1 Nominal panel thickness 1.6mm
 Note 2 Two spacers are supplied with each key
 Note 3 When key handle is operated in direction A contacts at chamfer end are actuated
 Note 4 Spacing between horizontal centres (15.87mm)
 Spacing between vertical centres (48.40mm)

Ordering Information

Table 1 Standard Keys

Action		Part Number
Left Hand (Chamfer End)	Right Hand	
MLK10 L4C	L4C	80 100 110 432
MLK14 L2C	L2C	80 100 110 232
MLK08 N4C	N4C	80 100 220 432
MLK15 N2C	N2C	80 100 220 232
MLK09 N4C	L4C	80 100 210 432
MLK13 N2C	L2C	80 100 210 232
MLK04 L4C	S	80 100 100 532
MLK01 L2C	S	80 100 100 332
MLK03 N4C	S	80 100 200 532
MLK02 N2C	S	80 100 200 332

Notes (Table 1 and 2)

- L - Locking N - Non-Locking S - Stop
 M - Normally open B - Normally closed
 C - Changeover K - Make Before Break

Part numbers shown are for Keys only and with Sliver Contacts other combinations of switching action contacts and materials can be supplied details available on request

Handles with or without inserts are ordered separately standard colours are Black Ivory, Grey Red, Blue Yellow and Green

Table 2 British Telecom Type 1000 Keys

British Telecom Ref	Action	Part Number
1001	N2C2K/L2C2K	80 002 311 011
1002	N4C/L4C	80 002 311 021
1003	N2C2K/L6M	80 002 311 031
1004	N2C2K/L4C	80 002 311 041
1005	N4C/L4K	80 002 311 051
1006	N4C/L2C2K	80 002 311 061
1007	N2C/L2C	80 002 311 071
1101	L2C2K/L2C2K	80 002 311 111
1102	L4C/L4C	80 002 311 121
1103	L6M/L6M	80 002 311 131
1104	L4C/L2C2K	80 002 311 141
1105	L4K/L4C	80 002 311 151
1108	L2C/L2C	80 002 311 181
1201	N2C2K/N2C2K	80 002 311 211
1202	N4C/N4C	80 002 311 221
1203	N2C/N2C	80 002 311 231
1301	L2C2K/S	80 002 311 311
1302	L4C/S	80 002 311 321
1303	L6M/S	80 002 311 331
1304	L4K/S	80 002 311 341
1305	L3C1K/S	80 002 311 351
1306	L2C3M/S	80 002 311 361
1307	L2C/S	80 002 311 371
1351	L8C/S	80 002 311 391
1401	N2C2K/S	80 002 311 411
1402	N4C/S	80 002 311 421
1403	N2C/S	80 002 311 431
1451	N8C/S	80 002 311 451

We reserve the right to change without prior notice the information contained in this leaflet

Health & Safety at Work etc., Act 1974

Some of our products are capable of being operated by and capable of switching high voltages and/or currents. Care must therefore be exercised in the usage of such products



PED Limited

Switch and Display Division Exning Road, Newmarket Suffolk CB8 0AX
 England Telephone Newmarket (0638) 665161 Telex 81245 PEDLTD