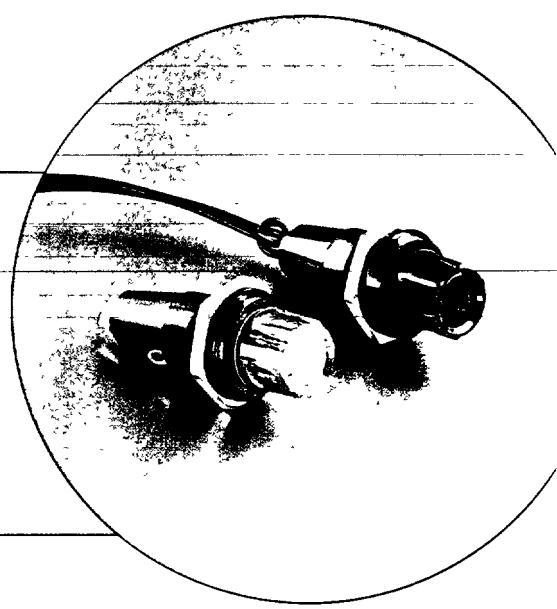


329-332 TO 368

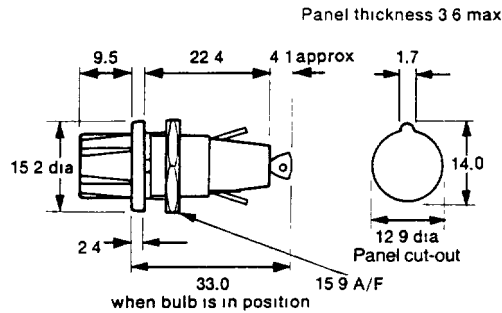
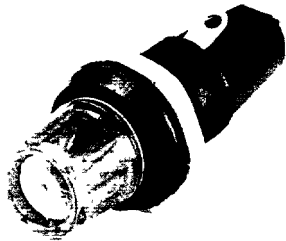
Lampholders and Neon Indicators

These lampholders and neon indicators are designed to provide a visual indication of a circuit's condition. The L1896A/Col accommodates a low voltage incandescent lamp (not supplied) and the L1897/Col is provided with a neon lamp and a ballast resistor for operation on 240V. They are designed to match the appearance of fuseholders type E6011B (for 20 x 5mm fuselinks) and L1596B (for 15.9 x 4.7mm fuselinks).



Specification (unless otherwise stated)	
Insulation resistance	≥ 100 megohms
Voltage proof test	2kVac
Fixing torque	0.68 Nm
Materials	
Body	Phenolic
Contacts	Brass, silver plated
Lens	Polycarbonate

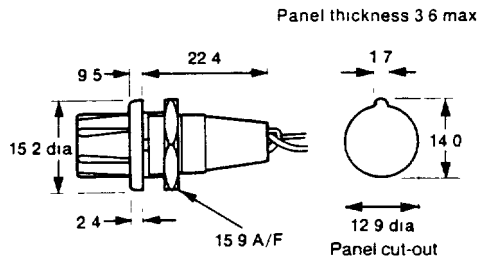
Low Voltage Lampholder



Power rating (1A)	≤ 1W (temperature rise -40°C)
Temperature range	-40 to +60°C (ambient)
Operating voltage	50V ac
Lens colours	Amber, green, red or clear
Lamp style	Either 5mm tubular LES lamp (CAPE 5/8) or 6mm tubular flange lamp mounting rings for both types included
Terminations	Solder

Part No L1896A/Colour

Neon Indicator Light



Temperature range	-55 to +60°C (ambient)
Lens colours	Amber, red or clear
Terminations	Wires 222.3mm long

Part No L1897/240/Colour