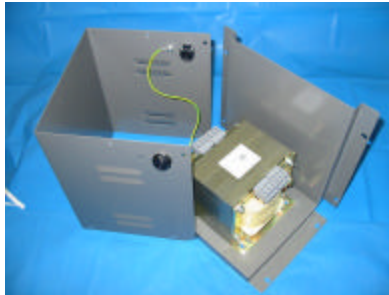


PRODUCT DATASHEET

ISOLATION TRANSFORMER RANGE



- Manufactured to **BS171**.
- 1000VA built in steel enclosure.
- fully shrouded construction.
- Can be used to step up or step down incoming supply.
- Connection via terminal blocks.
- 2400V Isolation Between Primary and Secondary

Frequency	50/60	Hz
Max Ambient	25	° C
Bobbin Material 250VA	UL94-HB	"B" 130 ° C
Bobbin Material 500VA	UL94-HB	"A" 105 ° C
Bobbin Material 1000VA	UL94-HB	"B" 130 ° C

Part No	VA	Input Voltage	Weight (Kg)
D3717	250	0-115-230V	6
D3718	500	0-110-220-240V	10
D3719	1000	0-110-220-240V	14

Please see sheet 2 for outline drawing and connection info.

DAGNALL ELECTRONICS LIMITED

Shuttleworth Road, Elms Industrial Estate, Bedford, MK41 0EP UK

TEL +44(0)1234 330077 FAX +44(0)1234 330088

E-mail sales@dagnall-electronics.com

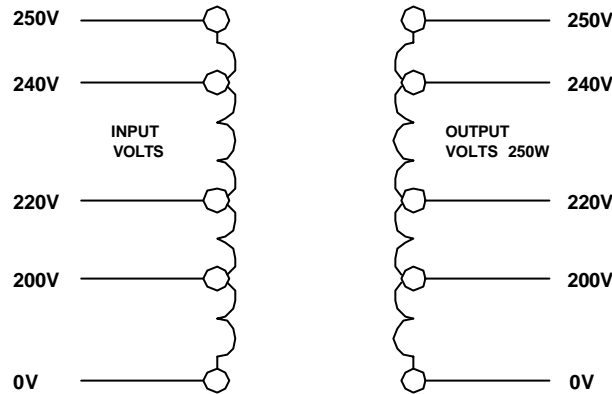
Issue 1. 18/08/03

3 of 3

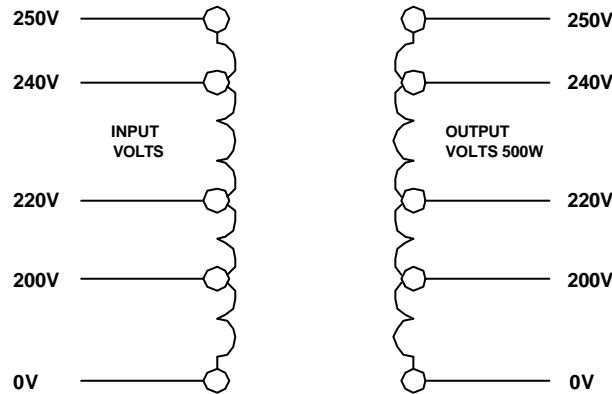
PRODUCT DATASHEET

ISOLATION TRANSFORMER RANGE

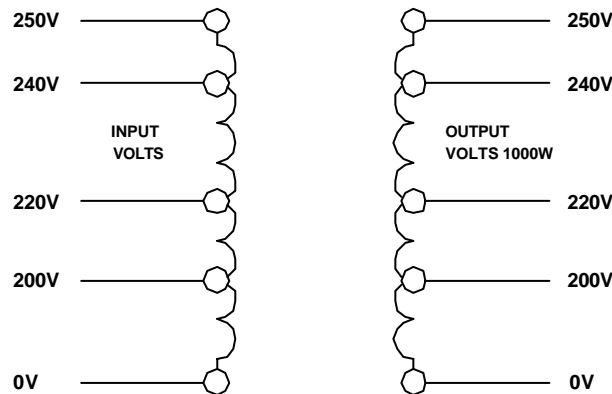
D3717 Connections



D3718 Connections



D3719 Connections



DAGNALL ELECTRONICS LIMITED

Shuttleworth Road, Elms Industrial Estate, Bedford. MK41 0EP UK

TEL +44(0)1234 330077 FAX +44(0)1234 330088

E-mail sales@dagnall-electronics.com

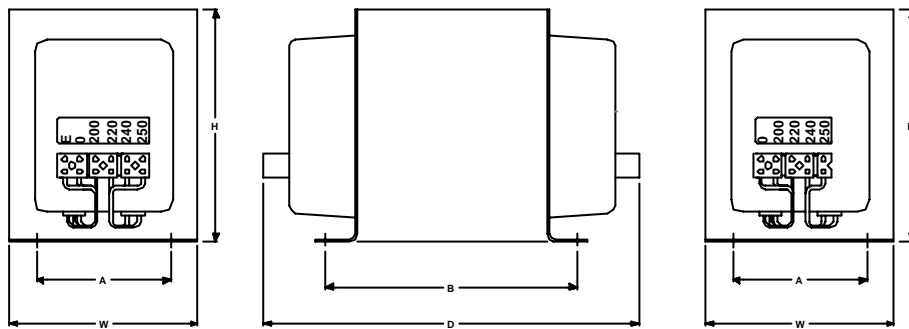
Issue 1. 19/08/03

2 of 3

PRODUCT DATASHEET

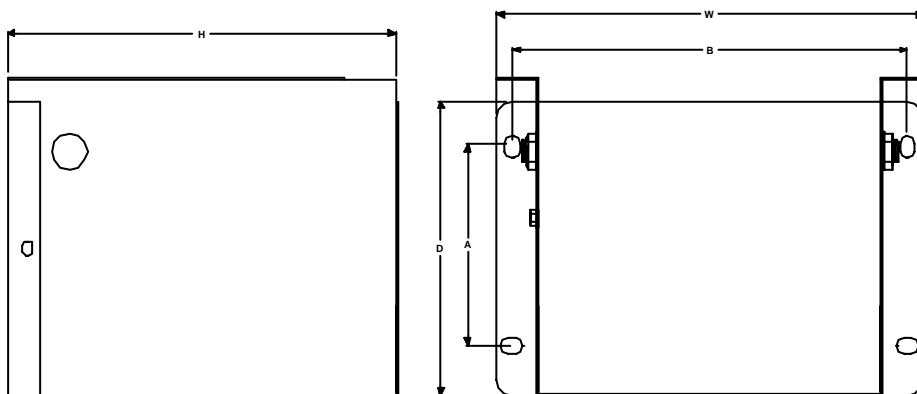
ISOLATION TRANSFORMER RANGE

Outline Drawing 250W & 500W



PART	RATING VA	DIMENSIONS			FIXINGS		
		D	W	H	A	B	SIZE
D3717	250	162	113	135	92	75	M6
D3718	500	200	113	135	92	112	M6

Outline Drawing 1000W



PART	RATING VA	DIMENSIONS			FIXINGS		
		D	W	H	A	B	SIZE
D3719	1000	205	245	250	125	215	M6

THIS DOCUMENT IS THE PROPERTY OF DAGNALL ELECTRONICS LIMITED WHICH HOLDS THE COPYRIGHT IN THE DRAWING AND ALL THE DESIGN RIGHTS IN THE PRODUCT OR COMPONENTS DESCRIBED. ANY INFORMATION SHALL NOT BE COPIED, REPRODUCED OR DIVULGED TO A THIRD PARTY NOR SHALL THE PRODUCT OR COMPONENTS BE MADE, COPIED OR REPRODUCED OR ITS EXISTENCE DISCLOSED TO A THIRD PARTY WITHOUT THE PRIOR CONSENT IN WRITING OF DAGNALL ELECTRONICS LIMITED. IN THE INTEREST OF TECHNICAL IMPROVEMENT AND/OR CUSTOMER SERVICE DAGNALL ELECTRONICS RESERVE THE RIGHT TO INTRODUCE MODIFIED SPECIFICATIONS TO ANY OF THE PRODUCTS ILLUSTRATED OR DESCRIBED IN THIS DATASHEET. E.S.O.