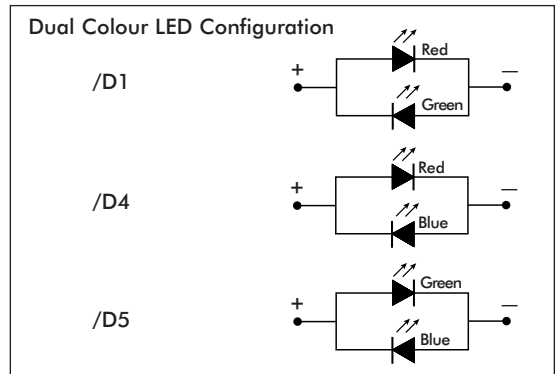
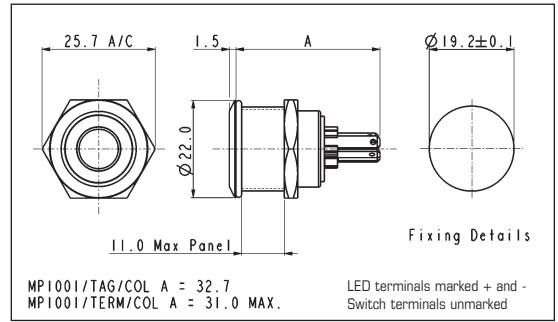


Stainless Steel Illuminated Vandal Resistant

FRONT PANEL MOUNTING



- Dot Illuminated
- 22mm diameter
- S.P. Push to Make
- 50mA, 24V dc contact rating
- Red, Green, Amber, Blue, White or Dual Colour Illumination
- Bright Daylight LEDs
- Separate LED Terminals



Specification

MPI001/Termination/Colour

Terminations:	/28 (2.8mm tabs), /Term (screw terminals)										
Switching:	S.P. Push to make, tactile										
Max. Switch Rating:	50mA, 24V d.c.										
LEDs (ratings @ 20mA)											
Colours	Red	Green	Amber	Blue	White	Red / Green	Red / Blue	Blue / Green			
Luminous Intensity	900mcd	2500mcd	900mcd	1500mcd	900mcd	2500mcd	5000mcd	2000mcd	850mcd	2000mcd	4000mcd
Forward Voltage*	1.85V	3.5V	2.3V	3.5V	3.6V	2.05V	3.6V	2.0V	3.6V	3.6V	3.6V
Forward Current	20mA	20mA	20mA	20mA	20mA	20mA	20mA	20mA	20mA	20mA	20mA
Part No.	/RD	/GN	/AM	/BL	/WH	/D1		/D4		/D5	
	*An appropriate resistor must be series connected by the user										
Contact Resistance:	<100mΩ										
Insulation Resistance:	>10 ³ MΩ										
Dielectric Strength:	Contact to Panel >2.0kV Contact to Contact 1500V										
Operating Temp. Range:	-30°C to +70°C										
Sealing (Front of panel only):	Protection Classification: IP66 EN60529 1992										
Operations											
Mechanical:	750,000 (min)										
Electrical:	35,000 (min)										
Operating Pressure:	12N										
Rear Nut Fixing Torque:	0.57Nm										
Materials											
Switch assembly:	UL94V-0 rated Polyamide (Nylon)										
Tags:	Copper Alloy										
Terminals:	Copper Alloy										
Switch Body & Button:	Stainless Steel										
Lens and Lens Body:	Polycarbonate										
O ring:	Nitrile										
Internal seal:	Silicone										
Contact Plate:	Gold Plated										
	ESD Handling precautions must be taken										
	Compliant										

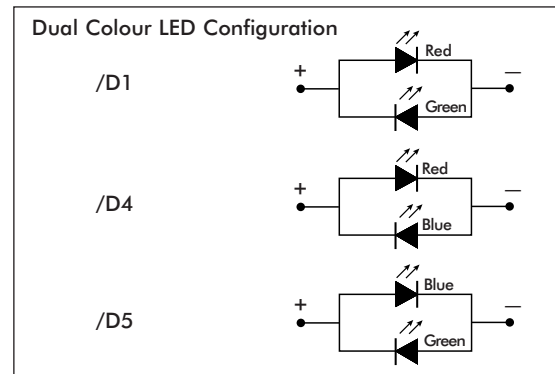
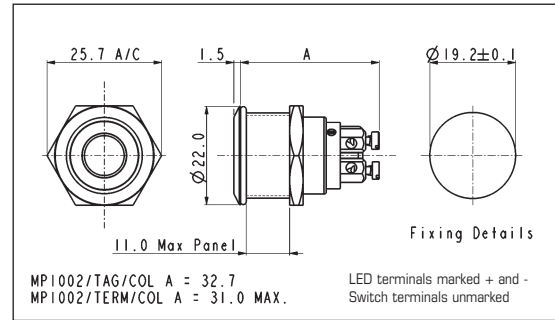


Stainless Steel Illuminated Vandal Resistant

FRONT PANEL MOUNTING



- Ring Illuminated
- 22mm diameter
- S.P. Push to Make
- 50mA, 24V dc contact rating
- Red, Green, Amber, Blue, White or Dual Colour Illumination
- Bright Daylight LEDs
- Separate LED Terminals



Specification

MPI002/Termination/Colour

Terminations:	/28 (2.8mm tabs), /Term (screw terminals)							
Switching:	S.P. Push to make, tactile							
Max. Switch Rating:	50mA, 24V d.c.							
LEDs (ratings @ 20mA)								
Colours	Red	Green	Amber	Blue	White	Red / Green	Red / Blue	Blue / Green
Luminous Intensity	900mcd	2500mcd	900mcd	1500mcd	900mcd	2500mcd 5000mcd	2000mcd 850mcd	2000mcd 4000mcd
Forward Voltage*	1.85V	3.5V	2.3V	3.5V	3.6V	2.05V 3.6V	2.0V 3.6V	3.6V 3.6V
Forward Current	20mA	20mA	20mA	20mA	20mA	20mA	20mA	20mA
Part No.	/RD	/GN	/AM	/BL	/WH	/D1	/D4	/D5

*An appropriate resistor must be series connected by the user

Contact Resistance:	<100mΩ
Insulation Resistance:	>10 ³ MΩ.
Dielectric Strength:	Contact to Panel >2.0kV Contact to Contact 1500V
Operating Temp. Range:	-30°C to +70°C
Sealing (Front of panel only):	Protection Classification: IP66 EN60529 1992
Operations	
Mechanical:	750,000 (min)
Electrical:	35,000 (min)
Operating Pressure:	12N
Rear Nut Fixing Torque:	0.57Nm
Materials	
Switch assembly:	UL94V-0 rated Polyamide (Nylon)
Tags:	Copper Alloy
Terminals:	Copper Alloy
Switch Body & Button:	Stainless Steel
Lens and Lens Body:	Polycarbonate
O ring:	Nitrile
Internal seal:	Silicone
Contact Plate:	Gold Plated

ESD Handling precautions must be taken

Compliant



RoHS