



PRODUCT SPECIFICATION

TS PCB CHASSIS SOCKET SINGLE

F.A.O SUE

Sheet No. **PS 0865**

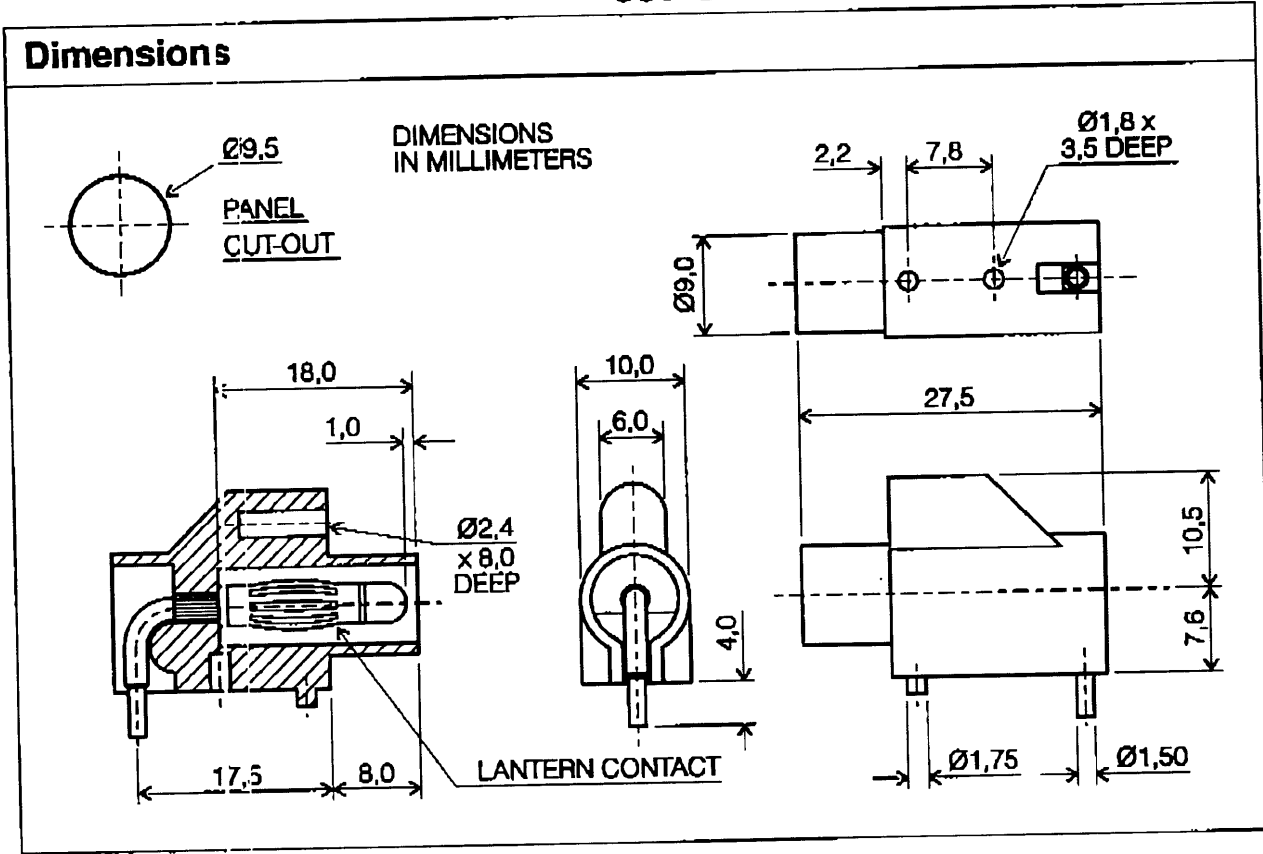
Date : 13.03.97

Issue No. 1

Sheet 1 of 1

Signature

Deltron Part No. **597-0100 BLACK**
597-0500 RED



Description

A single insulated connector, for direct mounting onto printed circuit boards. The housing is moulded in a choice of red or black for polarity indication. The plastic cap at the ends of the pin ensures that the connector is completely insulated from accidental touch. The pin is gold or silver plated with lantern style contacts, and solders directly into the PCB giving a straight-through, positive connection.

The single piece moulding provides a rigid design, with very little protrusion through the front panel. Extra fixing holes are located on the front and under sides for secure fastening.

Features

MATERIALS
 HOUSING : Acetal, black or red
 CAP : Acetal, black
 PLUG PIN : Brass,
 gold or silver plated
 LANTERN : Beryllium Copper
 gold or silver plated

RATING : 10 Amps
CONTACT RES. : 0,30 milli-ohms
TEMPERATURE : -10°C to +80°C
FLAMMABILITY : UL 94 V-0
WITHDRAWAL : 15 N - 25 N
INSERT FORCE