

UNIVERSAL MULTIPOLE CONNECTOR (7000 SERIES)

Sheet No. **PS 0632** *430-109 to 430-158*

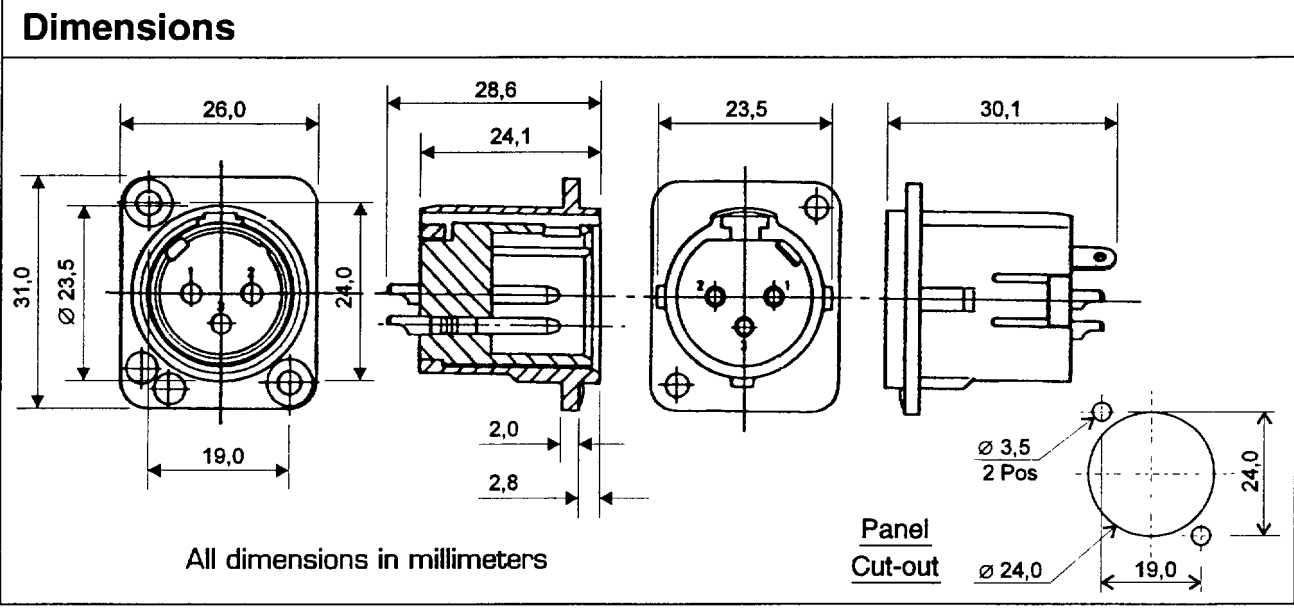
Date : 18.11.93

Issue No. 2

PRODUCT SPECIFICATION

Sheet 1 of 1 Signature

Deltron Part No.	Silver Pins		Gold Pins	
	Nickel	Black	Nickel	Black
3 Way	717-0300	719-0300	723-0300	725-0300
4 Way	717-0400	719-0400	723-0400	725-0400
5 Way	717-0500	719-0500	723-0500	725-0500



Description

A range of audio and video panel connectors which are completely interchangeable with all leading manufacturers of XLRs, including panel cut-outs, these being the same for both plug and socket versions. This range of plugs and sockets provide the opportunity to mount from either the front or rear face. Generous solder buckets enable easier cable assembly as well as catering for larger conductor sizes.

The design gives a simple but secure line socket retention action ensuring a positive chassis earthing.

A range of coloured plastic buttons offers a quick and easy system of identification.

Features

Mechanical Properties	
Housing	Zinc high-pressure diecasting Satin Nickel or Black Chrome
Contact Base	Valox DR48 UL 94V-0
Contacts	Brass, 3 microns silver anti-tarnish finish or 5 microns gold plate
Earth Tag	Spring Steel, Nickel plate
Ident Buttons	3 microns silver plate
Ident Options	Acetal (UL 94 HB) Yellow, Brown, Blue, Green Red, White, Black or Clear
Operating Temp	-30°C to +80°C
Insertion Force	≤20N
Withdrawal Force	≤10N
Minimum Number of Insertions	10,000
Electrical Properties	
Number of Contacts	3, 4 or 5
Rated Current per Contact	16, 10 or 7.5 Amps
Maximum Wire Size	12, 16 or 18 AWG
Cap. Between Contacts	≤4, ≤7 or ≤7 pf
Rated Voltage	250 Volts a.c.
Test Voltage	1500 Volts a.c.
Contact Resistance	≤3 milli-ohms
Insulation Resistance	≥1 giga-ohms