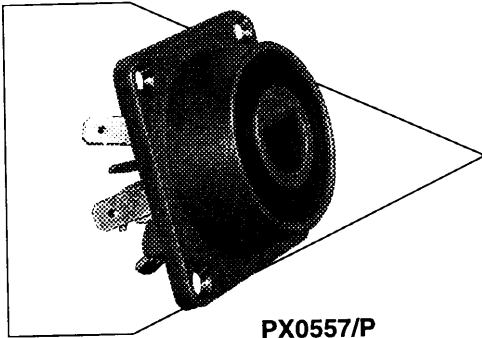
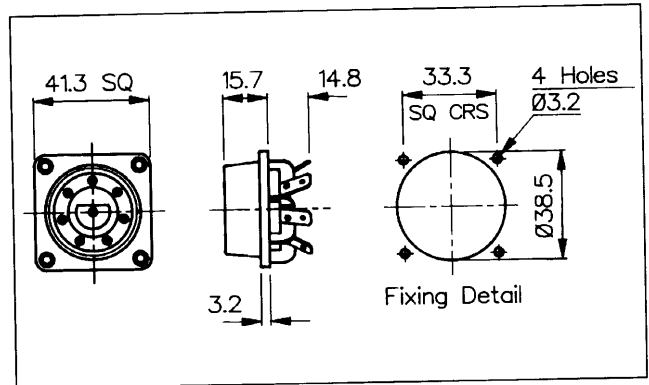


# 8 WAY CONNECTOR

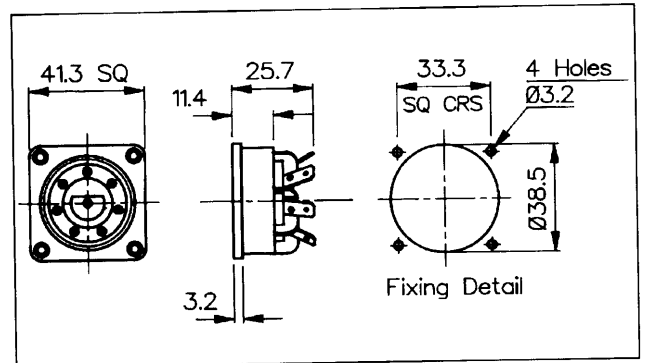
## PANEL MOUNT SOCKET AND PLUG



PX0557/P



PX0557/P



PX0557/S

Data	List No.	PX0557/P	PX0557/S
Max. Rating:		10A 250V a.c.	10A 250V a.c.
Contact Resistance:		<10mΩ.	<10mΩ.
Insulation Resistance:		>10 <sup>8</sup> MΩ at 500V d.c.	>10 <sup>8</sup> MΩ at 500V d.c.
A.C. Breakdown:		Pole-Pole 5kV. Pole-Exterior Parts/Panel 6.2kV.	Pole-Pole 6.4kV. Pole-Exterior Parts/Panel 5kV.
Operating Temp.		-20°C to +70°C.	-20°C to +70°C.
Mouldings:		Glass filled Nylon (black) UL.94H-B.	Glass filled Nylon (black) UL.94H-B.
Markings:		■ P557/P. 10A 250V.	■ P557/S. 10A 250V.
Mating Connectors:		PX0556/S, PX0557/S, PX0558/S, PX0552, PX0552/PC.	PX0556/P, PX0557/P, PX0558/P, PX0551.
Terminals:		4.8 Tab/Solder Tag.	4.8 Tab/Solder Tag.