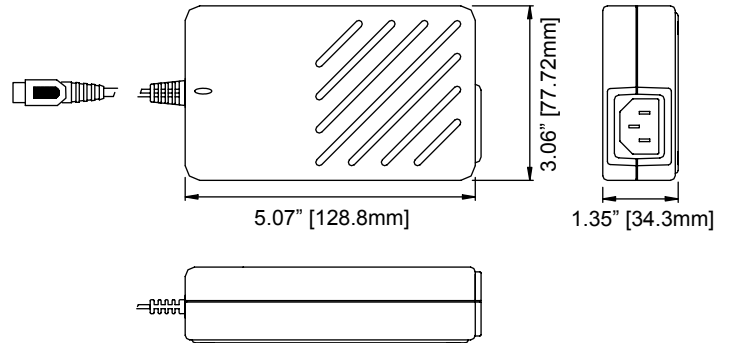


# MW65F series

## 65 Watt Medical Grade AC Adapter



### Features

- |                        |                         |
|------------------------|-------------------------|
| Wide range AC input    | Medical grade approval  |
| Fully regulated output | Also available in white |
| Floating output        | 5 year warranty         |
| High efficiency        | RoHS compliant          |
| LED indicator          | CEC compliant           |

### Environmental

- Operating temperature..... 0° C to 40° C  
 Storage temperature..... -40° C to 85° C  
 Weight = 1.2 lbs

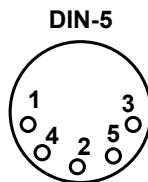
### EMI/EMC

- Meets FCC class B, CISPR 11 class B  
 EMC per EN60601-1-2

### Safety

- CSA C22.2 No. 60601.1-M90  
 UL 60601-1, 2nd Edition  
 cTUVus IEC 60601-1  
 CE Marked EN60601-1-2:2001

Polarity	1	2	3	4	5
DIN-5	Com	Com	+V1	Com	+V1



### Electrical Specifications

#### Input

- Voltage..... 100 - 240 VAC  
 Current..... 2.0 Amp @ 100 VAC  
 Frequency..... 50 - 60 Hz  
 Max. Earth leakage current:

Test Voltage	Normal	Single-fault
132 VAC 60 Hz	55 uA	90 uA
264 VAC 60 Hz	80 uA	155 uA

#### Output

- Total regulation..... <+/- 5%  
 Set point accuracy..... <+/- 3% at 60% load  
 Hold up time..... >12 ms min at full load, 115 VAC  
 Over voltage protection..... Built-in  
 Over current protection..... Built-in  
 Short circuit protection..... Pulsing mode, auto recovery  
 Ripple/noise (V<sub>p-p</sub>)..... <1% (20MHz Bandwidth)

Model No.	Volt	Power	Current	Eff @ 115VAC (Typ)
MW6509-D5F-NC-BK	9V	65W	7.2A	81%
MW6512-D5F-NC-BK	12V	65W	5.4A	83%
MW6515-D5F-NC-BK	15V	65W	4.3A	85%
MW6524-D5F-NC-BK	24V	65W	2.7A	87%

### Input and Output Connections

- Input connector (P1) = IEC 60320 inlet plug  
 Output connector (P2) = DIN-5 pin circular connector  
 Output cable length (9V) = 4ft (+4"/-0")  
 Output cable length (12/15/24V) = 6ft (+4"/-0")