

SPECIFICATION FOR APPROVAL

承 認 書

Description : Micro Dynamic Speaker

Kingstate Part No. : KDMG36008

Customer's Model No. : _____

Specification No. : POD-7122

Number Of The Edition : 1.2

CUSTOMER'S APPROVED SIGNATURE		

志豐電子股份有限公司 KINGSTATE ELECTRONICS CORP.



Address: 10F, No. 69-11, Sec. 2, Chung Cheng E. Rd., Tamshui County, Taipei Hsien, Taiwan, R.O.C.

International sales dept.: TEL:886-2-2809-5651 FAX:886-2-2809-7151

Domestic sales dept.: TEL:886-2-2809-0668 FAX:886-2-28096748

<http://www.kingstate.com.tw>

Approved by	Checked by !	Issued by
吳國華 3/22/06	劉子梅 2006.3.27	Fei 3/24/06'

A. SCOPE 範疇

This specification applies speaker , **KDMG36008**

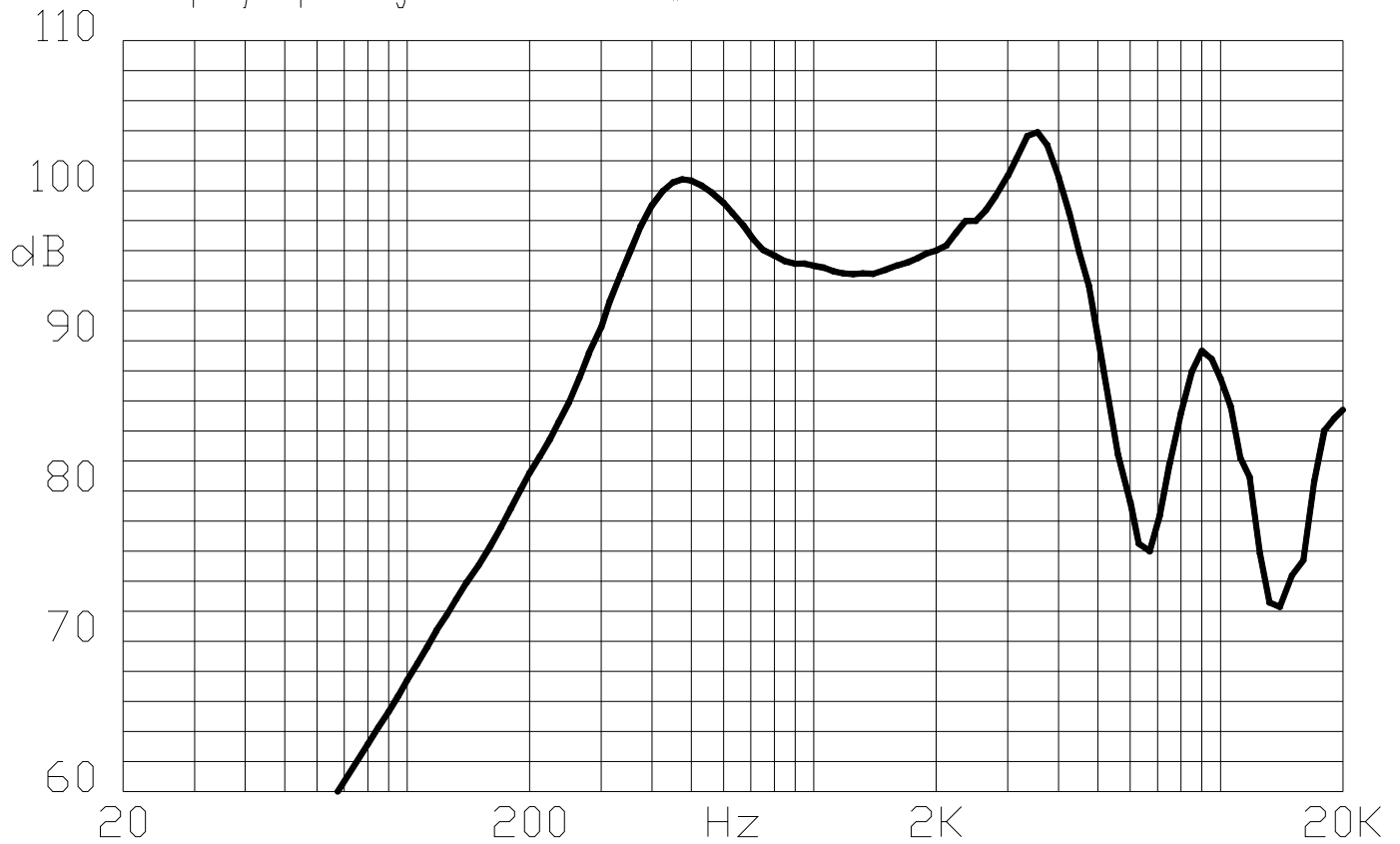
此規格書適用於喇叭, **KDMG36008**

B. SPECIFICATION 規格

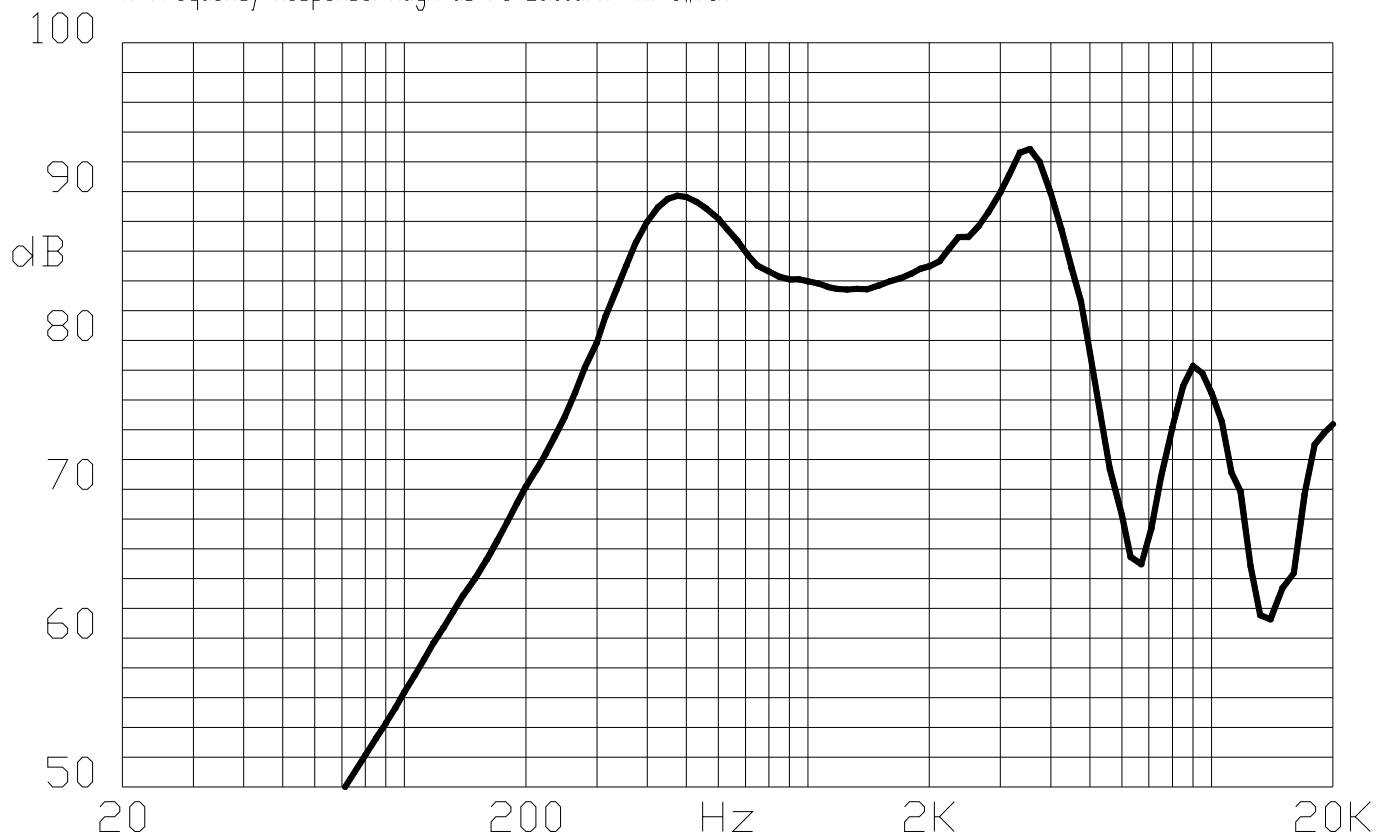
No.	Item	Symbol	Unit	Specification	Condition
1	Dimension 尺寸		mm	36.0 x 5.0	
2	Power Rating 功率		W	Rated. 0.15/ MAX. 0.3	Maximum Power:IEC-60268-5 Filter 60s On/120s Off 10 Cycles (Room TEMP.)
3	Impedance 阻抗		ohm	8 ± 15%	At 1.0kHz 1.0V
4	Resonance Frequency 低音諧振	Fo	Hz	450 ± 20%	At 1.0V
5	Output S.P.L. 音壓位準		dB	93 ± 3dB(0.15w/10cm) 82 ± 3dB(1w/1m)	At 1.0k,1.2k,1.5k,2.0kHz (Average figures)
6	Frequency Range 有效頻寬		Hz	Fo---6.0K	Output S.P.L. ±10dB
7	Distortion 失真		%	5% Max.	At 1.0kHz , 0.15W
8	Voice Coil 音圈		mm		
9	Magnet 磁石		mm	12.5 x 1.5	Nd-Fe-B (鈹鐵鋁)
10	Flux Density 磁通密度		Gauss		
11	Operating temp. 操作溫度			-20 ~ +60	
12	Buzze & Rattle 異常音				Not be audible at 1.1V sine wave between Fo ~ 6.0KHz 輸入 1.1V 正弦波從 Fo 到 6.0KHz 之間無異常音.
13	Weight 重量		g	8.0	
14	Material 材質			Metal	
15	Environmental Protection Regulation 環保法規			RoHS	

C. TYPICAL FREQUENCY RESPONSE CURVE 頻率響應曲線

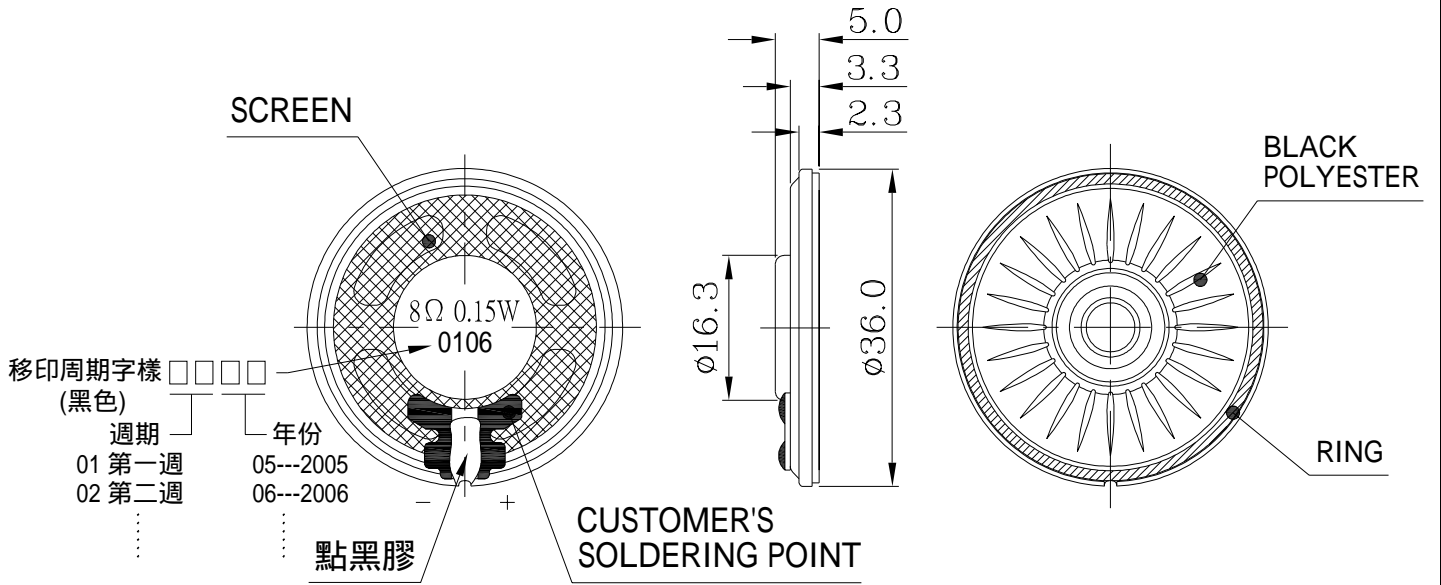
A: Frequency Response, Magn dB re 20.00uPA AT 0.15W/10cm



A: Frequency Response, Magn dB re 20.00uPA AT 1W/1m



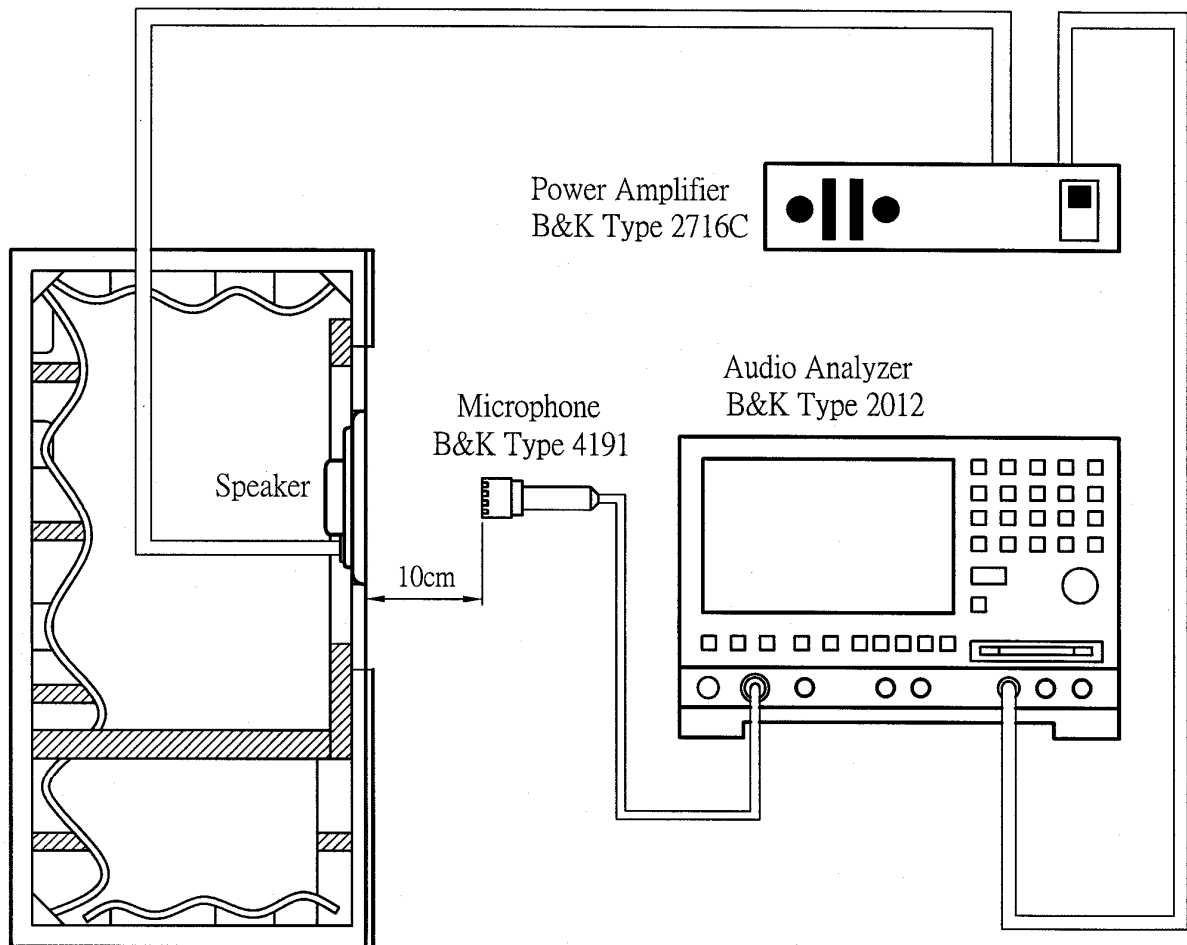
D. APPEARANCE DRAWING 外觀尺寸圖



Tol : ± 0.5

Unit: mm

E. MEASUREMENT CIRCUIT 測量線路



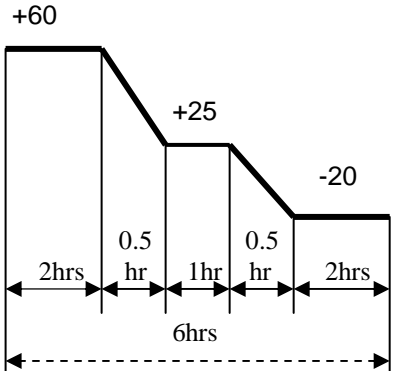
JIS C5531

940mm x 640mm x 1240mm

F. MECHANICAL CHARACTERISTICS 機械特性

No.	Item	Test condition	Evaluation standard
1	PCB Wire Pull Strength PCB 線材拉力	The pull force shall be applied to double lead wire : Horizontal 3.0N(0.306kg) for 30 seconds. 雙線材水平方向施以 3.0N(0.306kg)的力量, 30 秒.	No damage and cutting off 不鬆動, 不脫落.
2	Vibration Test 振動測試	Speaker shall be measured after being applied vibration of amplitude of 1.5mm with 10 to 55Hz band of vibration frequency to each of 3 per-pendicular directions for 2 hours. 振動週波數 10 ~ 55Hz、全振幅 1.5mm 於 X.Y.Z 3 個方向, 各 2 小時	No obstacle to be harmful to normal operation; damages, cracks, rusts and distortions. Should not be audible at 1.1V sine wave between Fo ~ 6.0KHz
3	Drop Test 落下測試	Drop the speakers contained in normal box onto the board 40mm thick 10 times from the height of 75cm 將揚聲器置於盒中, 自 75 公分高度落在 40mm 木板上共 10 次	測試後無任何障礙防礙正常操作.且在輸入 1.1V 正弦波從 Fo 到 6.0KHz 之間無異常音.

G. ENVIRONMENTAL TEST 環境試驗

No.	Item	Test conditions	Evaluation standard
1	High temp. Test 高溫測試	After being placed in a chamber at +60 for 96 hours 置於+60 環境中 96 小時	Being placed for 6 hours at +25 , speaker shall be measured. No obstacle to be harmful to normal operation; damages, cracks, rusts, etc. Should not be audible at 1.1V sine wave between Fo ~ 6.0KHz. Fo should meet initial one. S.P.L. deviation of unit should be within ± 3 dB 經測試後, 靜置於+25 (室溫)環境中 6 小時後, 測試後無任何障礙防礙正常操作.且在輸入 1.1V 正弦波從 Fo 到 6.0KHz 之間無異常音.Fo 與原規格值相同,輸出音壓變化量在 ± 3 dB 內.
2	Low temp. Test 低溫測試	After being placed in a chamber at -20 for 96 hours. 置於-20 環境中 96 小時	
3	Humidity test 相對濕度測試	After being placed in a chamber at +40 and 90 \pm 5% RH relative humidity for 96 hours. 置於+40 , 相對濕度 90 \pm 5%環境中 96 小時	
4	Temp. cycle test 溫度循環測試	The part shall be subjected to 5 cycles. One cycle shall be consist of: 單體承受溫度循環測試 5 次, 其循環內容如圖示: 	

H. Recommended Temperature Profile For Hand Soldering 建議手焊溫度

Hand Soldering
370 \pm 10 / 3 \pm 1 Sec

I. RELIABILITY TEST 信賴性試驗

No.	Item	Test conditions	Evaluation standard
1	Load test 連續負荷	0.15W white noise is applied for 24 hours, at room temp 在室溫下,輸入功率 0.15W, 白雜音連續操作 24 小時.	Being placed for 1 hours at +25 , speaker shall be measured. No obstacle to be harmful to normal operation; damages, cracks, rusts, etc. Should not be audible at 1.1V sine wave between Fo ~ 6.0KHz. Fo should meet initial one. S.P.L. deviation of unit should be within ±3dB 經測試後,靜置於+25 (室溫)環境中 1 小時後,測試後無任何障礙防礙正常操作.且在輸入 1.1V 正弦波從 Fo 到 6.0KHz 之間無異常音.Fo 與原規格值相同,輸出音壓變化量在±3dB 內.

TEST CONDITION.

Standard Test Condition :	a) Temperature : +5 ~ +35	b) Humidity : 45-85%	c) Pressure : 860-1060mbar
一般測試條件 :	a) 溫度 : +5 ~ +35	b) 濕度 : 45-85%	c) 氣壓 : 860-1060mbar
Judgement Test Condition	a) Temperature : +25 ± 2	b) Humidity : 60-70%	c) Pressure : 860-1060mbar
爭議時測試條件:	a) 溫度 : +25 ± 2	b) 濕度 : 60-70%	c) 氣壓 : 860-1060mbar

J. PACKING STANDARD 包裝規格

