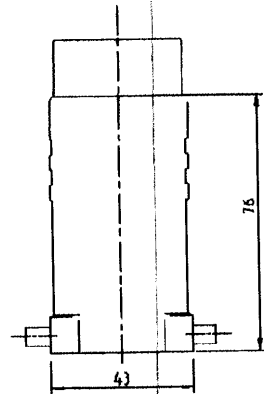
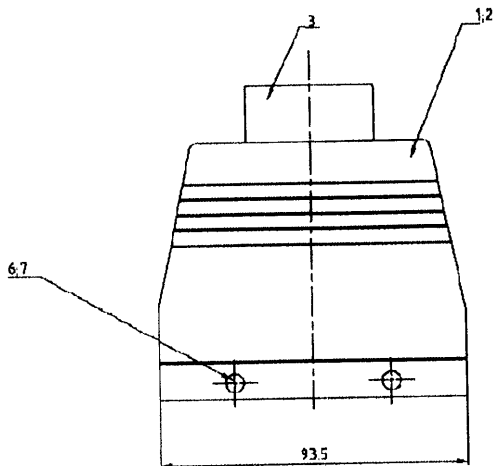


132-317

| REV | DATE | BY | CHK | APP |
|-----|------|----|-----|-----|
| A1 | - | - | - | - |

| REV | DATE | BY | CHK | APP |
|-----|------|---|-------|-----|
| 01 | | Zahlwerk erstellt | SEALM | AK |
| 02 | | PG 7-4 nachhängig | KLING | SH |
| 03 | | HIS-Holz-ABSOLUTZ, Typ: 129-Z, Typ: 129-Z | KLING | SH |



| QTY | REF | DESCRIPTION / BEZEICHNUNG | MATERIAL | SURFACE / OBERFLÄCHE | COLOR / FARBE | UNIT | REMARKS / ANMERKUNGEN |
|--------------------------|-----|-----------------------------|---------------|----------------------|---------------|------|-----------------------|
| 2 | | LB-Bügelboizen | V2A | - | - | tl | |
| 7 | | LB-Bügelboizen | Stahl | verzinkt | blau | tl | |
| | 2 | VS-Bügel | V2A | - | - | 9 | |
| | 2 | VS-Bügel | Stahl | verzinkt | blau | 8 | |
| | 4 | VS-Bügelboizen | V2A | - | - | 7 | |
| | 4 | VS-Bügelboizen | Stahl | verzinkt | blau | 6 | |
| 1 | 1 | O-Ring Pg29 | Nooprene | - | black/schwarz | 5 | |
| 1 | 1 | Zwischenstützen 6ht Pg29 | Messing | vernickelt | - | 4 | |
| 1 | 1 | Zwischenstützen Pg29 | Messing | vernickelt | - | 3 | |
| 1 | 1 | Steckergehäuse HD.40 Pg.129 | aluminium/ALU | - | black/schwarz | 2 | |
| 1 | 1 | Steckergehäuse HD.40 Pg.129 | aluminium/ALU | - | grey/grau | 1 | |
| 2-7-1-7-1-1-1-2-6-7-61-6 | | ABSOLUTE | | | | | |

| | | | | | | |
|--|--|----------------------|----------------------------------|---------------------------|------------------|-----------------------------------|
| HD-K.40.S1r-GR.129.Z HD.40.S.c-GR.129.Z HD-K.40.S1r-VS.129.Z HD.40.S1r-VS.129.Z HD-K.40.S1r.129.Z HD.40.S1r.129.Z.Sc HD.40.S1r.129.Z | BESCHREIBUNG / DESCRIPTION ABSOLUTE | MATERIAL ABSOLUTE | SURFACE / OBERFLÄCHE ABSOLUTE | COLOR / FARBE ABSOLUTE | UNIT ABSOLUTE | REMARKS / ANMERKUNGEN ABSOLUTE |
|--|--|----------------------|----------------------------------|---------------------------|------------------|-----------------------------------|

| | | | |
|---|------------------------------------|-------------------|------------------------|
| AMP HIS Elektrotechnik 53019 Neuriedchen, Germany | HOOD HD.40 STECKERGEHÄUSE HD.40 | PART NO. 00779 | DRAWING NO. 1102572 |
|---|------------------------------------|-------------------|------------------------|

BY AMP CORPORATION
© COPYRIGHT 1997
BY AMP CORPORATION
HD 4.0

Moabild
Outline drawing

