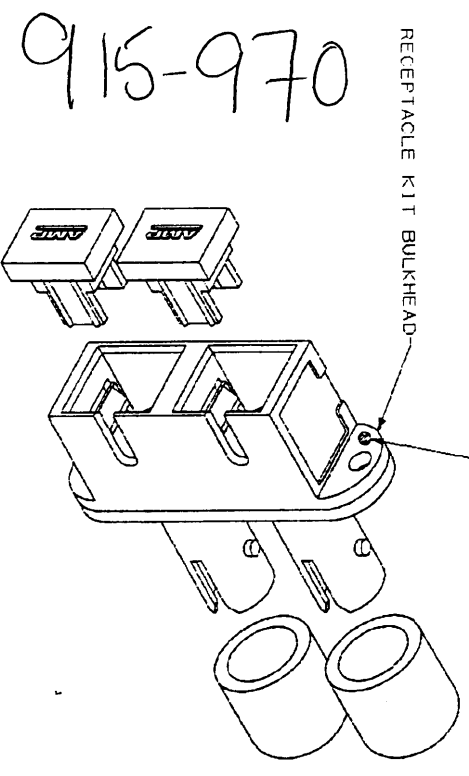


△ MATERIAL: BODY, THERMOPLASTIC
 SLEEVE: PHOSPHOR BRONZE
 DUST COVER: THERMOPLASTIC ELASTOMER

2. DIMENSIONS IN [] ARE IN INCHES.
 △ PART IDENTIFIER



SUGGESTED PANEL CUTOUT

DESCRIPTION	QUANTITY	MATERIAL	COLOR	ALIGNMENT	SELECTIVE MATERIAL	PART NO.
NONE		BLACK				504663-3
NONE		BLACK				504663-2
NONE		LI ALMOND				504663-1

DESCRIPTION	QUANTITY	MATERIAL	COLOR	ALIGNMENT	SELECTIVE MATERIAL	PART NO.
DR B-3-95		B. BR1665				
CHK B-3-95		B. BR1665				
APPR 8-3-95		S. MILTON				
APPR 8-3-95						
FRMNT SPEC						

DO NOT SCALE PRINT.
 UNLESS SPECIFIED
 DIMENSIONS IN INCHES
 FOR FRAMES ON
 2 PLC DEC # -
 3 PLC DEC # -
 ANGLES # -
 MATERIAL

AMP INCORPORATED
 MORTONFIELD, PA 15067

DUPLX RECEPTACLE KIT, MULTIMODE,
 BULKHEAD, SC TO ST