

153-412

**INSKT 500-75****INSTALLATION KIT FOR BOFA SYSTEM 500  
EXTRACTION UNIT WITH 3 x 75mm ARMS****CONTENTS**

<b>ITEM</b>	<b>QTY</b>	<b>DESCRIPTION</b>
1.	2x	2.5m Long 75mm Tube
2.	4x	1M Long 75mm Flexi Tube
3.	8x	75mm Jubilee Clip
4.	1x	75mm Balancing Valve
5.	1x	75mm Y with Balancing Valve
6.	1x	75mm Elbow & Balancing Valve
7.	1x	Silicone Grease
8.	6x	75mm Cobra Clips
9.	6x	Screws

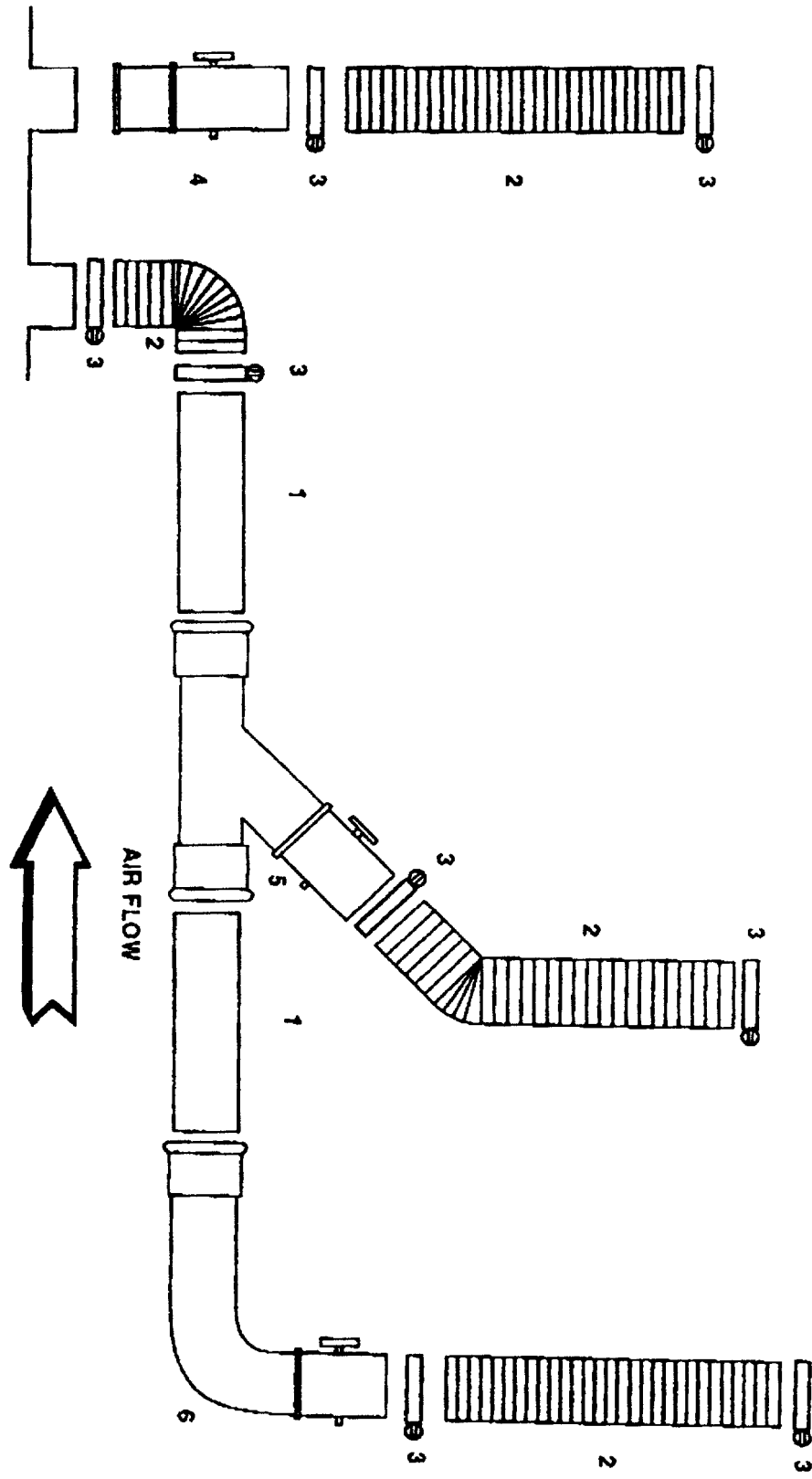
**INSTRUCTIONS**

Smear a small amount of silicone grease (item 7) onto the "O" ring in the sleeve of the balancing valve (item 4) and then push fit it onto one of the 75mm connections on the System 500 Unit. The other items shown in the diagram overleaf should then be fitted to connect between the balancing valve and the extraction arm.

The other 2 arms should be attached using the items as shown in the diagram overleaf. The 75mm Pipework (item 1) should be fixed to a convenient place on the benches using the cobra clips and screws (items 8 & 9). A smear of silicone grease (item 9) is required on the "O" ring of all sleeve connections. Make sure all raw tube edges are tapered with a knife to ensure an easy fit into each sleeve.

Once the installation is completed the balancing valves should be adjusted to give an equal flow at each arm.

Should you experience any difficulties with the installation please call our technical help line on 01202 896199



INSKT 500-75