

331-442 → 466 331-442

Series CS, CT, TA, TD
10-75A, 24-280Vac

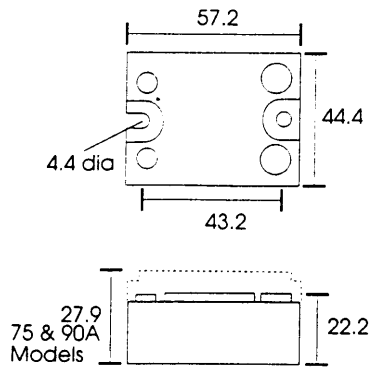
These additions to the Series 1 range extend the options of performance and economics for the designer. The CS, CT series are dc controlled SCR or triac output

Features:

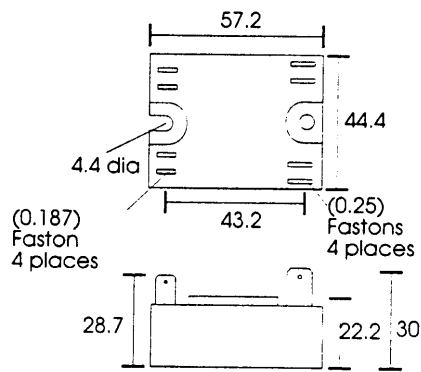
- UL, CSA, VDE approved
- Industry standard package



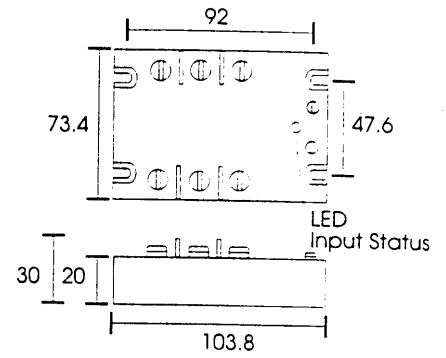
Series 1 A,D,CSD CSE, H, H12, TA, TD



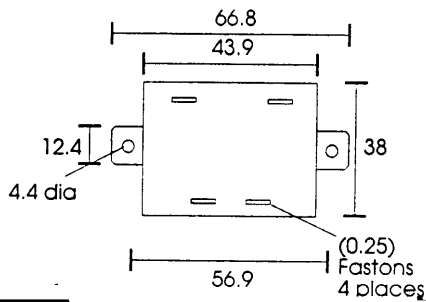
Soft Start



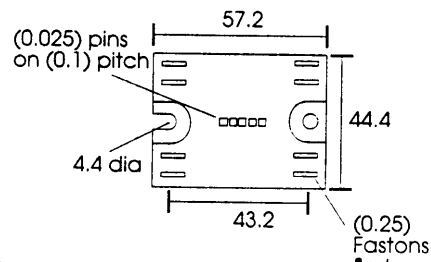
3 Phase



EZ Series



Series 1 Quad



Series 1 Dual

