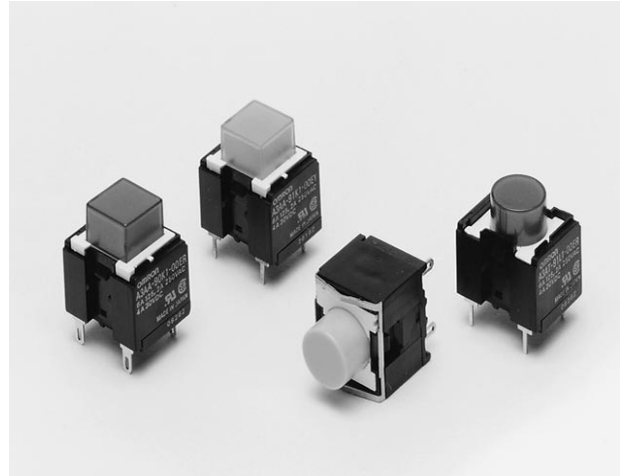


## Lighted Pushbutton Switch

## A3A

### Compact Switch Unit Allows Signal and Power Switching in the Same Model

- Capable of switching within the range 1mA 5VDC to 6A 125VAC.
- Mounting direct to PCB, or panel mounting using appropriate bezel.
- Requires only 14.5mm behind panel depth.
- Options include:
  - Round or Square
  - Momentary or Latching
  - Illuminated or Non-illuminated



### Ordering Information

A3A <sub>1</sub> –9 <sub>2</sub> <sub>3</sub> 1–00 <sub>4</sub>

**1 Pushbutton Shape**

Code	Shape
A	Square
T	Round

**2 Terminals**

Code	Type
0	Solder
1	PCB

**3 Action**

Code	Action
K	Momentary
L	Alternate

**4 Pushbutton**

Code	Colour Type	Type
ER	Red	Illuminated
EY	Yellow	Illuminated
EG	Green	Illuminated
L	Grey	Non-illuminated
R	Red	Non-illuminated
Y	Yellow	Non-illuminated
G	Green	Non-illuminated
A	Blue	Non-illuminated
B	Black	Non-illuminated

### Specifications

■ **LED Ratings**

**Absolute Maximum**

Characteristic	Unit	Value
Reverse Voltage	V <sub>R</sub>	4V
Forward Current	I <sub>F</sub>	25mA
Permissible loss	P <sub>D</sub>	70mW
Operating Temp	T <sub>OPR</sub>	–20 to + 75 C
Storage Temp	T <sub>STO</sub>	–30 to + 100 C

■ **Contact Ratings**

Voltage (V)	Current (A)			
	Resistive	Lamp	Inductive	Motor
125 AC	6	1	2	1
250 AC	2	0.5	1	0.5
8 DC	4	1	2	1
14 DC	4	1	2	1
30 DC	4	1	1.5	1
125 DC	0.4	0.05	0.4	0.05
250 DC	0.4	0.03	0.2	0.03

Note: Min. permissible load 1mA 5VDC

■ **LED Ratings**

**Standard Ratings**

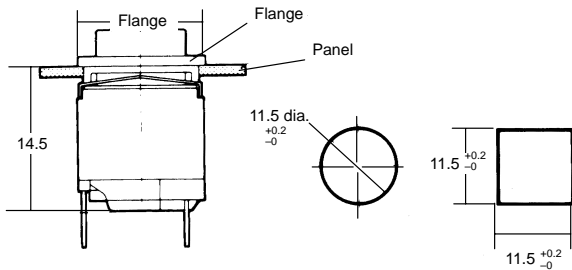
Characteristic	Unit	Condition	Typical	Max
Forward voltage	V <sub>F</sub>	I <sub>F</sub> = 15mA	2.05V	2.8V
Reverse current	I <sub>R</sub>	V <sub>R</sub> = 4V	–	100mA

## ■ Characteristics

<b>Insulation resistance</b>	100MΩ min. (at 500VDC)
<b>Dielectric strength</b>	600 VAC, 50/60Hz for 1 minute between terminals of same polarity 2,000VAC, 50/60Hz for 1 minute between terminals of different polarity and also between each terminal and ground
<b>Vibration</b>	Mechanical and malfunction durability: 10 to 55Hz, 1.5mm double amplitude
<b>Shock</b>	Mechanical durability: 500 m/s <sup>2</sup> (approx. 50 G) Mechanical durability: 150 m/s <sup>2</sup> (approx. 15 G)
<b>Ambient temperature</b>	Operating: -10°C to 55°C
<b>Humidity</b>	35 to 85% RH
<b>Life expectancy</b>	<b>Mechanical:</b> Momentary action type: 1,000,000 operations min. Alternate action type: 50,000 operations min. <b>Electrical:</b> 50,000 operations min.
<b>Weight</b>	Approx. 3.2g

## Dimensions

Panel cutout  
For separate mounting



\* Recommended panel thickness: 1 to 1.6 mm

\*\* Flange dimensions:

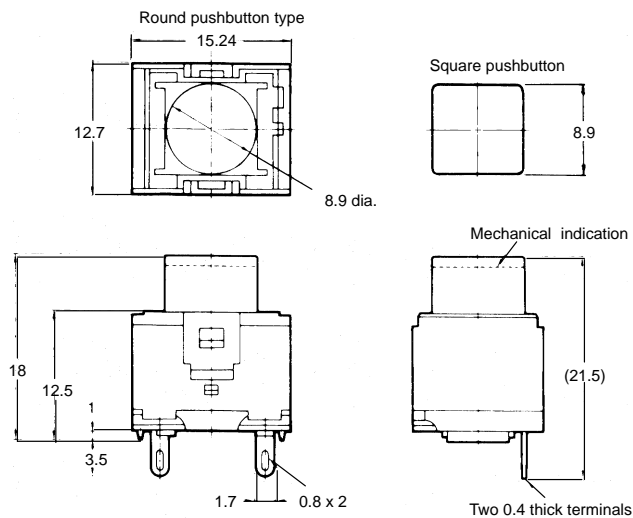
Round: 12.7 dia.

Square: □ 12.7

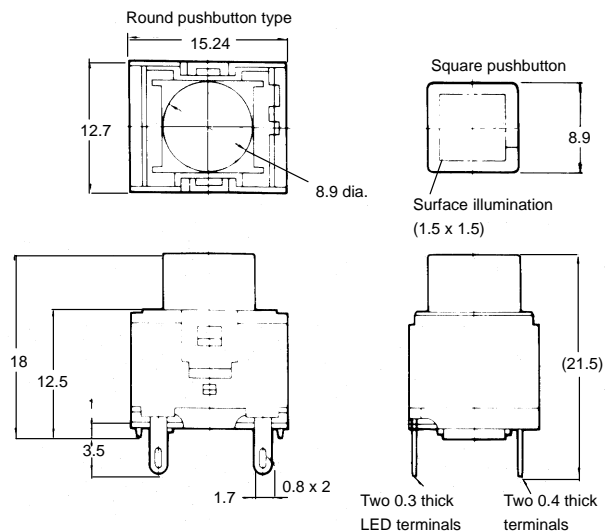
	For round pushbutton	For square pushbutton
<b>Horizontal multiple mounting</b>		
<b>Vertical Multiple mounting</b>		

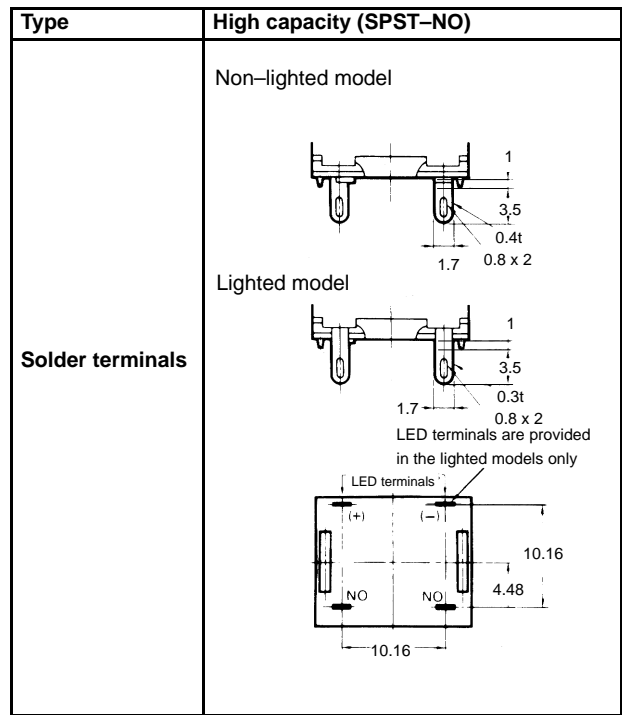
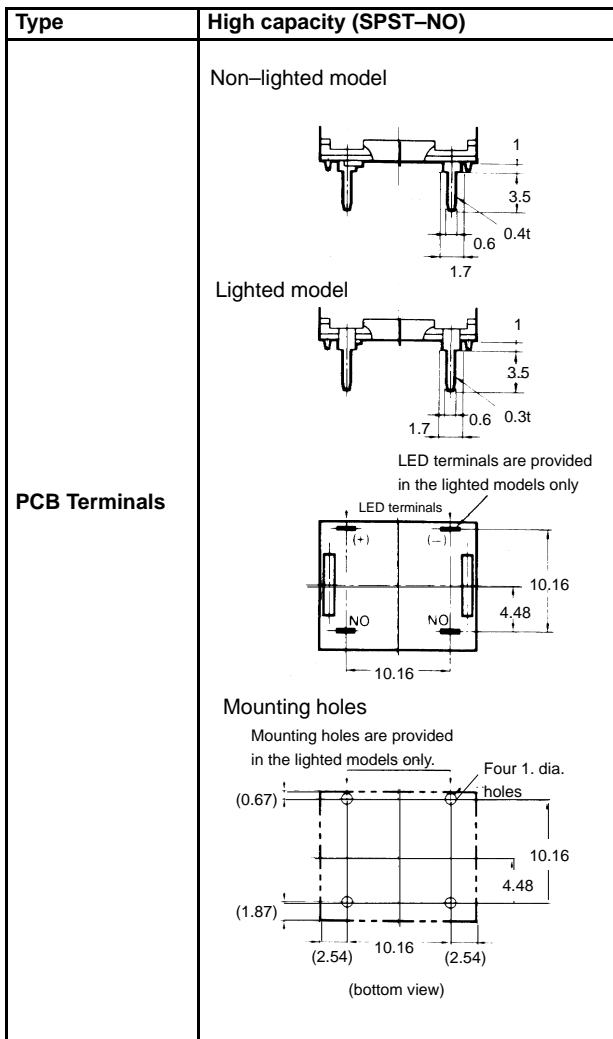
**Note:** 1. Unless otherwise specified, a tolerance of  $\pm 0.2$  mm applies to all dimensions.  
2. The illustrations below show switches with solder terminals, without flange or leafspring.

**Non-lighted**



**Illuminated**





## Accessories (Order Separately)

Flange (select according to colour)

Name	Shape	Classification	Model	Remarks
Flange		Flange alone	Black	A3A-251
			Light grey	A3A-252
			Black	A3A-241
			Light grey	A3A-242
		Flange and leaf spring (one each)	Black	A3A-221
			Light grey	A3A-222
			Black	A3A-211
			Light grey	A3A-212
		Leaf spring		A3A-200

**Note:** Switch units having solder terminals are supplied with a black flange (appropriately round or square) and a metal leaf spring, used when panel mounting.