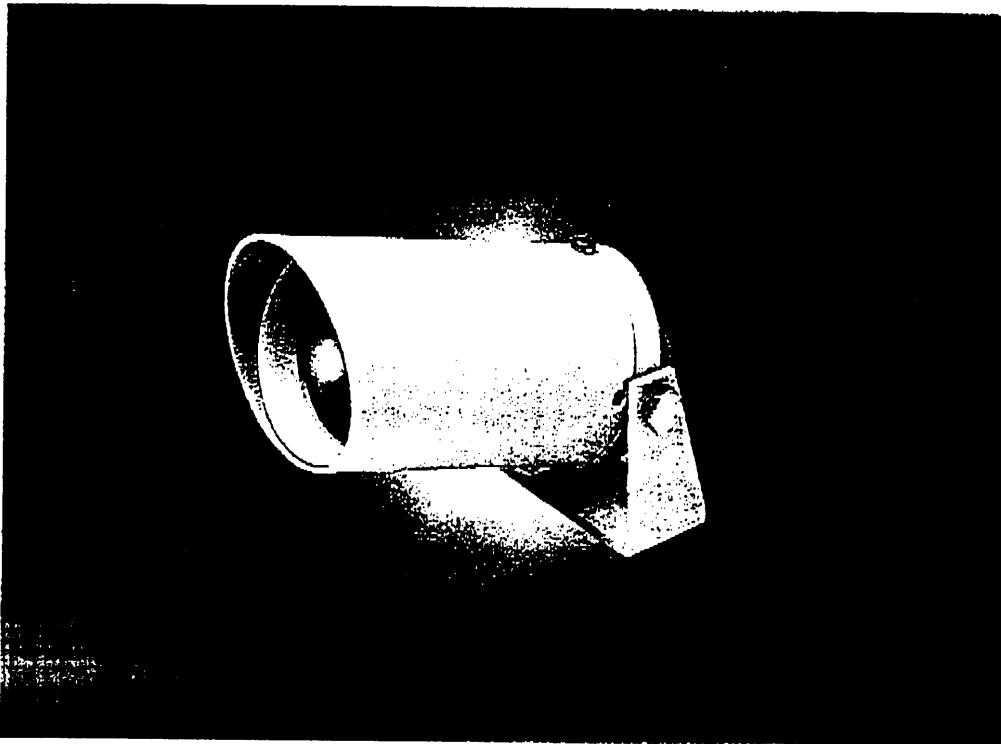


354-2580 TO 354-2634

Dennard



Description

Type 880 and 883

The type 880 and 883 microlights have been designed to provide a low power, low cost, high performance infra red illuminator, at a size complementing C.C.D camera equipment. The units are constructed from aluminium alloy, powder coated and stoved with stainless fittings. Silicone 'O' ring sealing and one metre of high temperature outdoor cable, factory fitted, offers weatherproofing to BS.EN.60529 Level IP65 (no water ingress)

Average lamp life is 2000 hours with specially modified 12V 50mm tungsten halogen lamps. Replacement lamps obtainable only from Dennard.

The type 880 can be supplied with 20W or 50W bulbs. The type 883 is fitted with a 75W bulb.

Both illuminator types are available with spot or flood bulbs and a choice of 715nm or 830nm dichroic filters.

Note: When fitting replacement lamps care must be taken not to touch the filament envelope or reflective inner face as this will be detrimental to the lamp life.

Features

- ① Elegantly styled.
- ② 20W or 50W (880) 75W (883).
- ③ 2000 hours average lamp life.
- ④ 715nm or 830nm dichroic filters
- for a choice of covert illumination.
- ⑤ A range of build options available.
- ⑥ Narrow or Medium beam angle.
- ⑦ Weatherproof to BS.EN 60529 Level IP 65 (no water ingress).

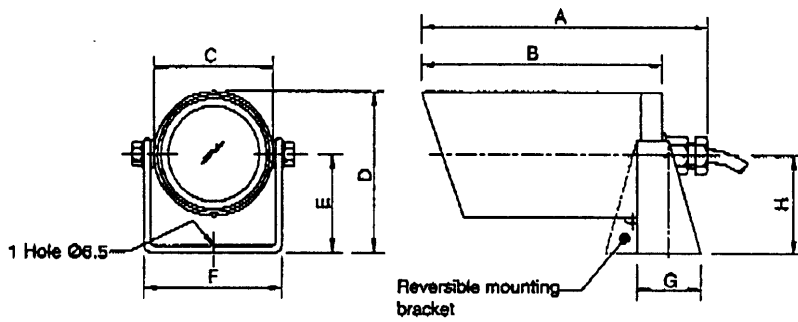
Build Options

- | | | |
|-----------|---|------------------------------------|
| 880/PSU | } | Optional power supply unit. |
| 883/PSU | | 230V a.c. input / 12V a.c. output. |
| 888/2 | | - 880 PSU & Light detector. |
| 888/2-105 | | - 883 PSU & Light detector. |
| 888/3 | | - 880 / 883 Light detector only. |
| 888/4 | | - 880 PSU. |
| 888/4-105 | | - 883 PSU. |

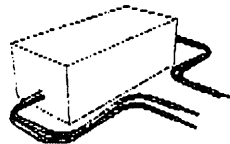
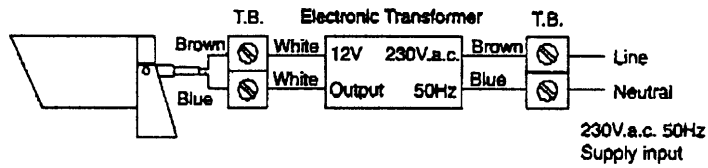
DENNARD SUPPORT LINE +44 (0) 1252 614884

Fax: 01252 626013

All Dimensions in millimetres



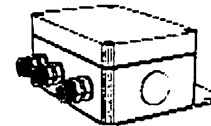
Dim	Type 880	Type 883
A	138	147
B	115	124
C	Ø58	Ø80
D	74	95.5
E	45	55.5
F	63	89
G	30	32
H	45	55.5



PSU Option - Indoor use only.
Dimensions - 39 x 28 x 85 (W x H x L)

880/PSU - 230V.a.c. input 12V.a.c. output.

883/PSU - 230V.a.c. input 12V.a.c. output.



Type 888 Weatherproof Box
Dimensions - 80 x 60 x 120 (W x H x L)

888/2 - 880 PSU & Light Detector
888/2-105 - 883 PSU & Light Detector

888/3 - 880 / 883 Light Detector only.

888/4 - 880 PSU only
888/4-105 - 883 PSU only.

Specifications

	880N20	880M20	880N50	880M50	883N75	883M75
Lamp	12V - 20W F38 Spot	12V - 20W F35 M.flood	12V - 50W F33 Spot	12V - 50W F34 M.flood	12V - 75W F38 Spot	12V - 75W F35 M.flood
Beam Angle	24 Deg.	36 Deg.	21 Deg.	38 Deg.	18 Deg.	38 Deg.
Weight	350 g.	350 g.	350 g.	350 g.	800 g.	800 g.
Filters	Dichroic Coated glass 715nm or 830nm - 3mm thick					
Transmission	Transmission better than 90%					

PEAK INCIDENT ILLUMINATION OF UNFILTERED BULBS (LUX)

Note : The camera will receive 10% of the scene illumination level

Distance (meters)	880N20	880M20	880N50	880M50	883N75	883M75
1	1000	500	3700	1550	7500	2250
2	250	125	925	387	1875	562
4	62.5	31.2	231	97	459	140
8	15.6	7.8	57.8	24	115	35
16	3.9	1.9	14.4	6	28	8
32	0.97	0.48	3.6	1.5	7	2
64	-	-	-	-	1.75	0.5

Viewing distance will vary between 7 to 40m. depending on bulb wattage.
beam width, CCD, lens & filter type.

Dennard

55 Fleet Road, Fleet, Hants, England. Tel: 01252 614884 Fax: 01252 626013

