

566-251

LS-4 SERIES
CHART 1

M

DRAWING
NUMBER

ISSUE

18

REVISIONS

18 28.6.90
MS1507

CHECK

RELEASE NUMBER MSEN32-5

REPLACES METRIC LS SERIES -- CHART 1.

Honeywell

SWITCH ENCLOSED

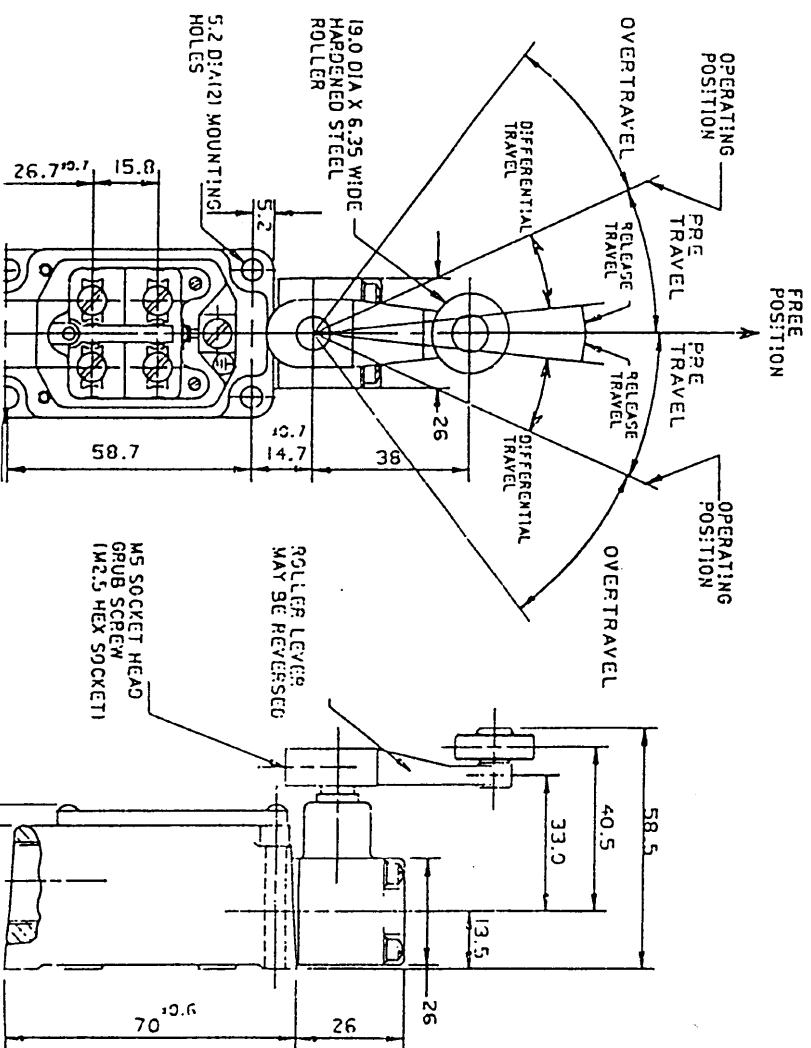
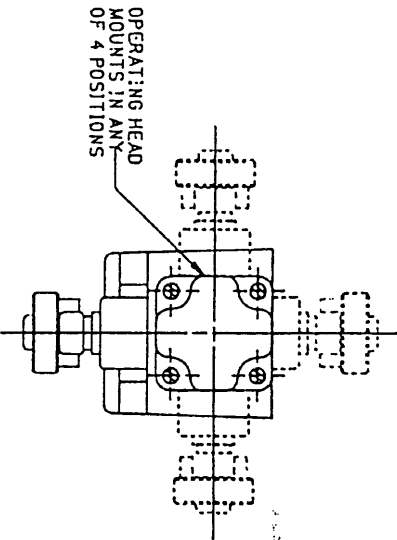
CATALOGUE LISTING
LS-4 SERIES

CHART 1

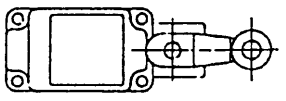
NOTES:-

1. ALUMINIUM HOUSING AND COVER FINISHED IN GREY PAINT
2. THIS SWITCH IS ASSEMBLED FOR ACTUATION IN EITHER DIRECTION
3. TO CONVERT SWITCH FOR ACTUATION IN EITHER THE CLOCKWISE OR COUNTER CLOCKWISE DIRECTION ONLY REMOVE THE ACTUATOR HEAD AND ROTATE THE NOTCHED PLUNGER 90° TO THE RIGHT FOR CLOCKWISE ACTUATION OR 90° TO THE LEFT FOR COUNTER CLOCKWISE ACTUATION.
4. ROLLER LEVER MAY BE LOCKED IN ANY POSITION THROUGH 360°
5. A CHOICE OF THREE CONDUIT THREADS IS AVAILABLE. LISTINGS WITH "C" SUFFIX HAVE 20MM TO BS.4563 CONDUITS (SEE CHART OPPOSITE)
6. IT IS ESSENTIAL TO PREVENT ENTRANCE OF HARMFUL AGENTS THROUGH THE CONDUIT OPENING TO OBTAIN THE FULL BENEFIT OF THE SEALED CONSTRUCTION PROVIDED IN THIS UNIT.
7. LEVER FURNISHED UNASSEMBLED IN UNIT PACKING BOX.

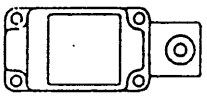
- ⚠ NO ROLLER.
- ⚠ GOLD ALLOY CONTACTS: 1- STATIONARY 75% AU, 25% AG
2- MOVING 72% AU, 26% AG, 2% NI
- ⚠ SPECIAL EARTH AND TERMINAL SCREWS.



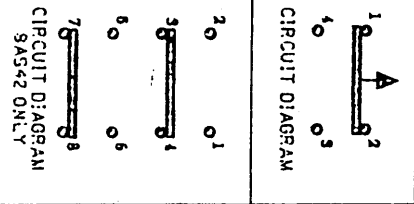
REMARKS	PART NUMBER	QTY.
NYLON ROLLER ST. ST. SCREWS	2XN1-M	1.815 KMAX
SOLDER TERMINALS	9AS42-28	1.815 KMAX
HIGH TEMP. CONSTRUCTION	2XN8-M	1.815 KMAX
HIGH TEMP. CONSTR. VITON A O-RINGS	2XN24	1.815 KMAX
HIGH TEMP. GOLD CONTACTS NYLON ROLLER ST. ST. SCREWS	2XN24-F1	1.815 KMAX
HIGH TEMP. CONSTR. GOLD PLATED CONTACTS VITON A O-RINGS	2XN24-N3	1.815 KMAX
	2XN24	1.815 KMAX
	2XN9-M	1.815 KMAX
	2XN1-M	1.815 KMAX
HEAD ASSY. ROTATED 180°	2XN9-M	1.815 KMAX
	2XN9-M	1.815 KMAX
NO O-RING ON SHAFT.	2XN1-M	1.815 KMAX
HIGH TEMP.	9AS42-28	1.815 KMAX
	2XN9-MNS	1.815 KMAX
HIGH TEMP.	2XN24-N2	1.815 KMAX
	2XN1-M	0.2 KMAX
	2XN8-M	0.115 KMAX
	2XN11-M	0.56 KMAX
TO WORK AT -40°C	2XN1-M	1.815 KMAX
NO O-RING ON SHAFT	2XN1-M	1.815 KMAX
LOW FORCE HEAD ASSEMBLY	8AS42-28	1.815 KMAX



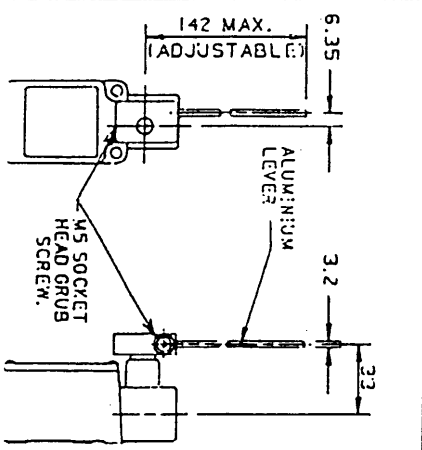
FORCES MEASURED AT 38MM RADIUS.



NO ACTUATOR FORCES MEASURED AT 38MM RADIUS.

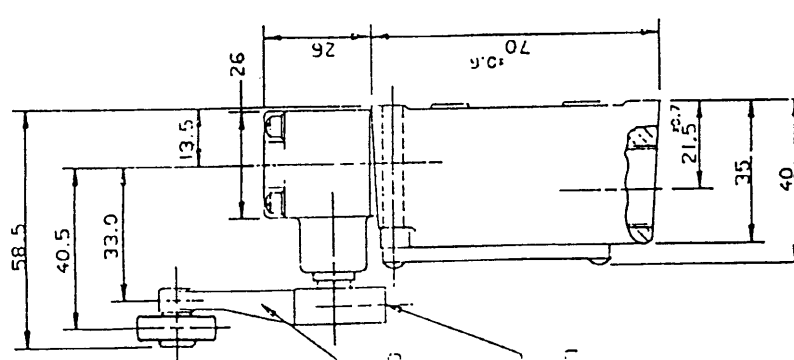


SEE NOTE ⚠

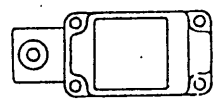


2- MOVING 72% AU, 26% AG, 2% N;

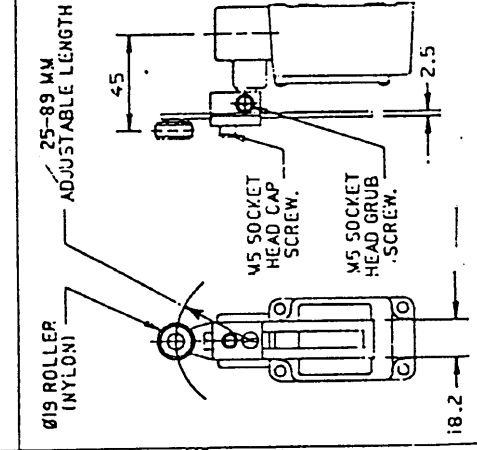
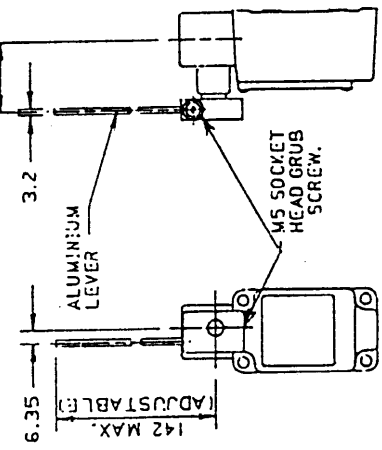
ROLLER.
IAL EARTH AND TERMINAL SCREWS.



SCALE: 0.8
TOLERANCES UNLESS OTHERWISE STATED ±0.2
FIG NO.4
8VDC, 0.0054
FIG NO.3
20V - 0.4A
4V - 1A
5V - 5A
FIG NO.2
0A - 125 OR
50VAC
2HP - 125VAC
ANGULAR



NO ACTUATOR FORCES MEASURED AT 30MM RADIIUS.
SEE NOTE A



QTY	DESCRIPTION	UNIT	QTY	DESCRIPTION	UNIT	QTY	DESCRIPTION	UNIT	QTY	DESCRIPTION	UNIT	QTY	DESCRIPTION	UNIT	QTY	DESCRIPTION	UNIT	QTY	DESCRIPTION	UNIT
1	24N8-M	K/MAX	1.815	MIN.	5°	MAX.	20°	MIN.	30°	MAX.	12°	0.075	K/MIN	1.36	K/MAX	1	10537	1	1LS56-4PON141	
4	24N1-M	K/MAX	0.75	MIN.	5°	MAX.	20°	MIN.	30°	MAX.	12°	0.075	K/MIN	0.56	K/MAX	1	MS- FK32-C	4	1LS2-4C	
4	24N1-M	K/MAX	1.815	MIN.	0°30'	MAX.	5°	MIN.	30°	MAX.		0.227	K/MIN	1.36	K/MAX	2	MS- FK32-C	4	1LS23-4C	
4	24N8-M	K/MAX	1.815	MIN.	0°30'	MAX.	5°	MIN.	30°	MAX.		0.057	K/MIN	0.29	K/MAX	2	MS- FK32-C	4	1LS27-4C	
4	24N8-M	K/MAX	1.815	MIN.	0°30'	MAX.	5°	MIN.	30°	MAX.		0.227	K/MIN	1.36	K/MAX	2	MS- FK32-C	4	1LS55-4C	
5	24N1-M	K/MAX	1.815	MIN.	5°	MAX.	20°	MIN.	20°	MAX.	12°	0.227	K/MIN	0.27	K/MAX	1	CN- 21034	5	1LS2-4CN16	
5	8AS42-2B	K/MAX	1.815	MIN.	4°	MAX.	23°	MIN.	27°	MAX.	16°	0.075	K/MIN	1.36	K/MAX	2	CN- 21034	5	1LS2-4C	
1	24N2-F1	K/MAX	1.815	MIN.	5°	MAX.	20°	MIN.	30°	MAX.	12°	0.227	K/MIN	1.36	K/MAX	3	MS- 20216	1	1LS224-4PON14	
1	24N8-MN5	K/MAX		MIN.	0°30'	MAX.	5°	MIN.	30°	MAX.		0.075	K/MIN	0.56	K/MAX	2	MS- 11252	1	1LS56-4PON149	
3	24N2-12	K/MAX	0.4	MIN.	5°	MAX.	20°	MIN.	30°	MAX.	12°	0.350	K/MIN	1.50	K/MAX	3	MS- 10375	3	1LS224-4PON36	
4	24N1-M	K/MAX	0.4	MIN.	5°	MAX.	20°	MIN.	30°	MAX.	12°	0.028	K/MIN	0.142	K/MAX	1	MS- FK32-C	4	1LS10-4C	
4	24N8-M	K/MAX	0.2	MIN.	0°30'	MAX.	5°	MIN.	30°	MAX.	12°	0.028	K/MIN	0.142	K/MAX	2	MS- FK32-C	4	1LS47-4C	
5	24N11-M	K/MAX	0.115	MIN.	5°	MAX.	20°	MIN.	20°	MAX.	12°	0.007	K/MIN	0.028	K/MAX	1	CN- 21034	5	1LS10-4CN14	
4	24N1-M	K/MAX	0.56	MIN.	5°	MAX.	20°	MIN.	30°	MAX.	12°	0.057	K/MIN	0.454	K/MAX	1	MS- FK32-C	4	1LS10-4PON18	
4	24N1-M	K/MAX	1.815	MIN.	5°	MAX.	20°	MIN.	30°	MAX.	12°	0.227	K/MIN	0.227	K/MAX	1	MS- FK32-C	4	1LS10-4CN10	
5	8AS42-2B	K/MAX	1.815	MIN.	4°	MAX.	23°	MIN.	27°	MAX.	16°	0.028	K/MIN	0.142	K/MAX	2	CN- 21034	5	1LS10-4C	
1	8AS42-2B	K/MAX		MIN.	4°	MAX.	23°	MIN.	27°	MAX.	16°	0.057	K/MIN	0.29	K/MAX	2	MS- 11350	1	1LS10-4PON153	
4	24N1-M	K/MAX	1.815	MIN.	5°	MAX.	20°	MIN.	30°	MAX.	12°	0.227	K/MIN	1.362	K/MAX	1	MS- FK32-C	4	1LS3-4C	
1	24N1-M	K/MAX	1.815	MIN.	5°	MAX.	20°	MIN.	30°	MAX.	12°	0.227	K/MIN	1.362	K/MAX	1	MS- 20220	1	1LS3-4PON145	