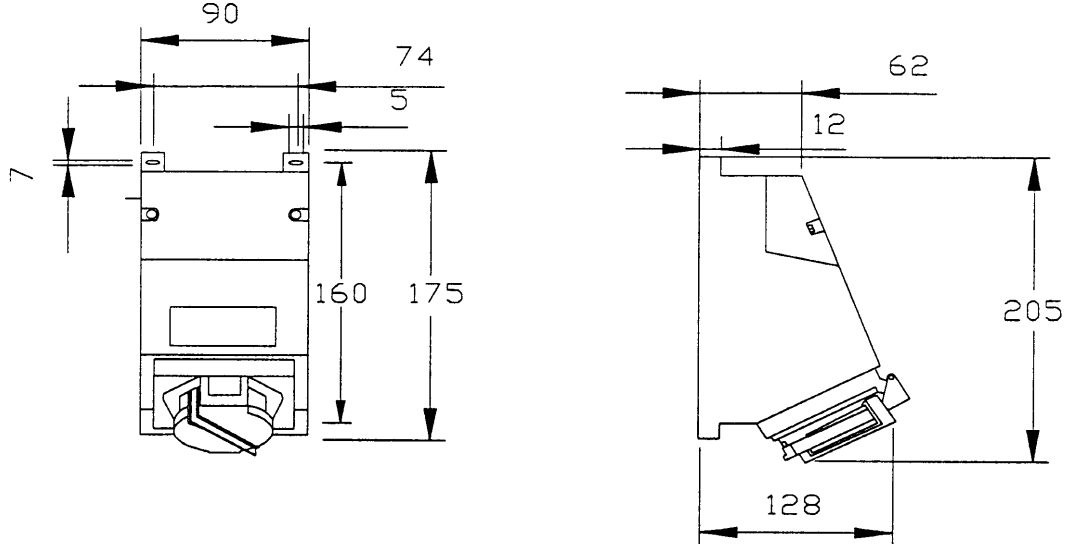


PROTECTION :
EExde IIC T6

DESCRIPTION :
16A 2 POLE & EARTH SWITCH SOCKET 240V

FARNELL ORDER CODE :
7188687
CEAG PART NUMBER:
GHG5434306V5024

"WE CAN ONLY GUARANTEE THE SAFETY AND EXPLOSION PROTECTION OF THE PRODUCTS IF THEY ARE NOT COMBINED WITH PRODUCTS MADE BY OTHER MANUFACTURERS".



COMPATIBLE PLUG - GHG5432306V0

TYPE	RATED CURRENT AMPS	RATED VOLTAGE	TERMINAL CAPACITY MM SQ	CABLE ENTRY	WEIGHT KG
3 PIN 2P+PE	16A AC3	240V AC	1 X 4	2 X M20 BOTTOM	0.6

- GENERAL DESCRIPTION :** 3 PIN 240V AC INTERLOCKED SWITCH SOCKET COLOUR CODE BLUE
- ENCLOSURE MATERIAL :** GLASS REINFORCED POLYESTER
- INGRESS PROTECTION :** IP65 TO IEC529
- AMBIENT TEMPERATURE :** -20 TO +40 CELSIUS
- APPROVALS :** EN50014/18/19
- PTB CERTIFICATE :** EX.87.B.1038
- AREA OF USE :** ZONE 1 AND ZONE 2
- OTHER INFORMATION :** FLAP CAN BE PADLOCKED CLOSED TO PREVENT UNAUTHORISED USE

CEAG

**CEAG CROUSE-HINDS, UNIT G, QUINN CLOSE, SEVEN STARS IND EST,
WHITLEY, COVENTRY. CV3 4LH
TELEPHONE :- 01203 308930 FAX :- 01203 301027**