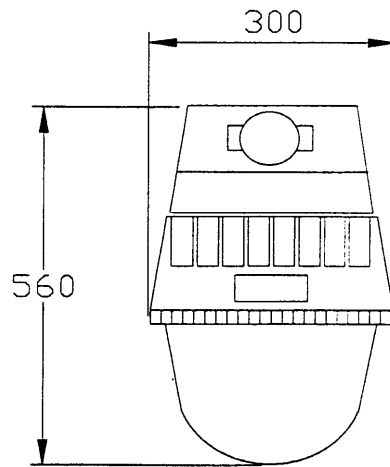


**PROTECTION :**  
EEx d IIC T4  
Zone 1 and 2

**DESCRIPTION : HIGH BAY (PENDANT)**  
High Power Factor Integral Control Gear.

**TYPE : EVS 250 Z**  
250 Watt High Pressure Sodium  
**FARNELL ORDER NO.: 7191467**  
**CEAG PART NO.: 1-1511-088-2**



Approx. Weight : 22.4K

LAMP HOLDER	RATED CURRENT AMPS	BATTERY DURATION	TERMINALS MM SQ	POWER FACTOR	OPERATING VOLTAGE	CABLE ENTRY	WIRED
E40 (250Watt HPS)		N/A	4MM LN 6MM PE		240V +/-10% 50-60 HZ	2 X M20 ISO (Others option on request)	VIA Exe Terminal Box

- GENERAL DESCRIPTION** : **CEILING/STANCHION MOUNTED 250 WATT HIGH PRESSURE SODIUM PENDANT**
- ENCLOSURE MATERIAL** : **Aluminium enclosure coated in yellow polyester paint Sealed borosilicate glass.**
- INGRESS PROTECTION** : **IP67**
- AMBIENT TEMPERATURE** : **Ambient Temp. 40°C - T4  
Ambient Temp. 55°C - T4**
- APPROVALS** : **EN60 529 (EQUIVALENT TO IEC529)  
PROTECTED AGAINST DUST AND WATER JETS**
- LOM CERTIFICATE** : **LOM 90.C.0028**
- AREA OF USE** : **ZONE 1 AND ZONE 2 GAS GROUP IIC T4**

**CEAG**

**CEAG CROUSE-HINDS, UNIT G, QUINN CLOSE, SEVEN STARS IND EST,  
WHITLEY, COVENTRY. CV3 4LH  
TELEPHONE :- 01203 308930 FAX :- 01203 301027**