

Features:

- Grey face colour, White segment colour.
- Two performance options, HE Blue and Blue.
- Choice of two wavelength, HE Blue 465 nm and Blue 428 nm.
- Distinctive blue colour ideal for a host of applications including audio, instrumentation and corporate signage.
- Very economical.
- Wide viewing angle.

Font design

 Product not shown
actual size

Electro / Optical Characteristics - $I_F = 20 \text{ mA}$ (* HE Blue - $I_F = 10 \text{ mA}$) $T_a = 25^\circ \text{ C}$

Part Number - Common Cathode		Part Number - Common Anode		Emitting Colour	Wavelength Peak λ_P	Forward Voltage V_F		Luminous Intensity I_V	
Farnell	Forge Europa	Farnell	Forge Europa			typical	max	min	typical
366-4727	FN1-0561B050SGW	366-4739	FN1-0562B050SGW	* HE Blue	465	3.30	3.70	-	14
366-4740	FN1-0561B010SGW	366-4752	FN1-0562B010SGW	Blue	428	3.80	4.50	-	10
Units					nm	V		mcd per segment	

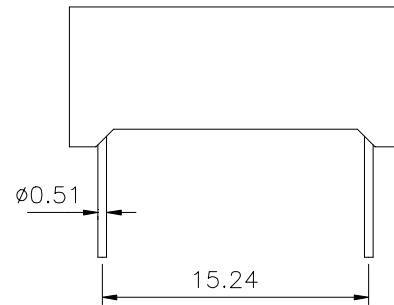
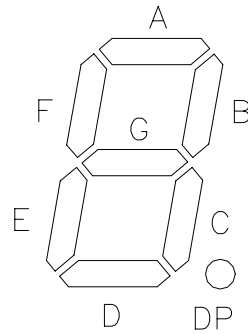
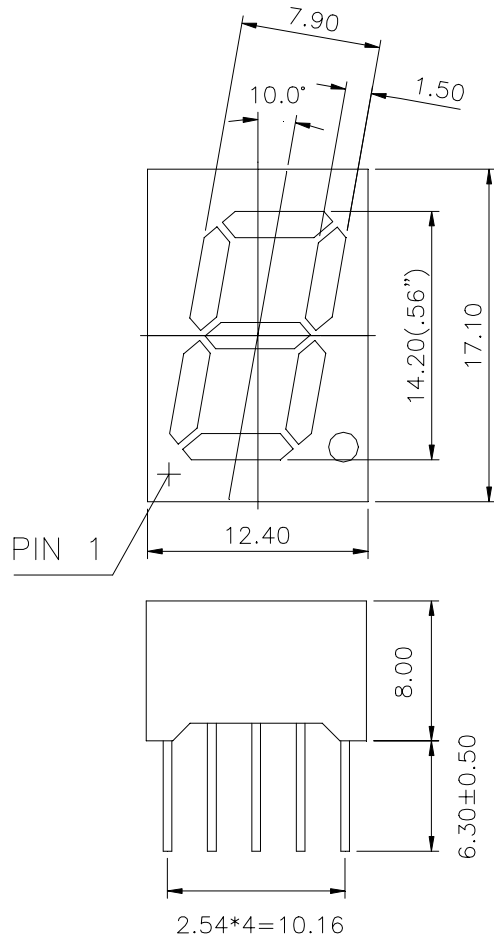
Maximum Ratings $T_a = 25^\circ \text{ C}$ - Derate above 25° C

Characteristic	Condition	Symbol	Rating	Units
Pulse Forward Current	0.1 duty cycle @ 1KHz (HE Blue)	I_{FP}	100 (35)	mA
DC Forward Current	(HE Blue)	I_F	25 (15)	mA
Reverse Voltage	$I_R = 100 \mu\text{A}$	V_R	5	V
Power Dissipation		P_D	85	mW
Operating Temperature		T_{opr}	- 25 to + 80	$^\circ \text{ C}$
Storage Temperature		T_{stg}	- 30 to + 85	$^\circ \text{ C}$
Lead soldering temperature	1.6 mm from body - max 3 seconds		260	$^\circ \text{ C}$

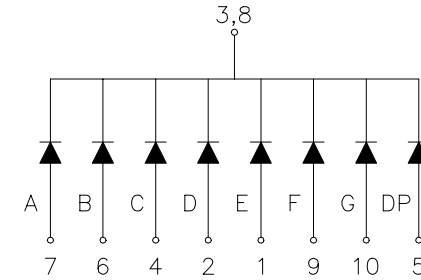
Note

Industry standard procedures regarding static must be observed when handling product produced with blue die material.

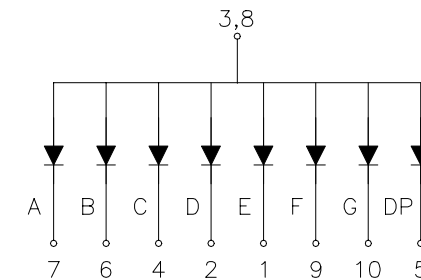
Package Outline



Common Cathode



Common Anode



Tolerance ± 0.25 mm unless stated