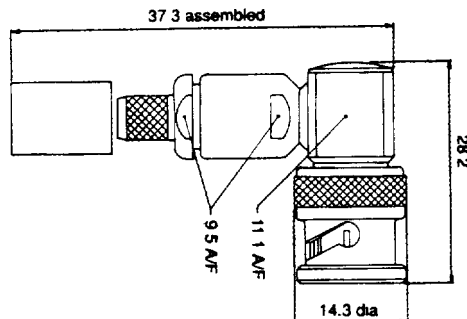


BNC Series

290-877

ELBOW PLUGS

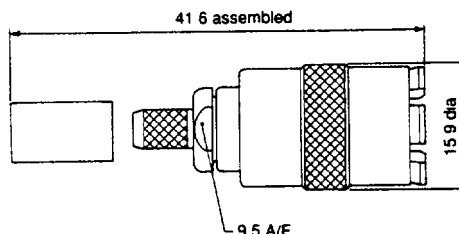
BT crimp, solder center contact, crimp outer



Impedance	Cable group ①	Part Number ②		Crimp tool ③
75 ohm	062	B37 B92 • 062 X99	Solder, crimp and clamp together design	30039
75 ohm	117	B37 B92 • 117 X99	As above	30039

COLLET LOCK PLUG

Collet lock, crimp center contact, crimp outer



M/A-COM collet lock plugs mate with standard BNC sockets, but utilize a special collet lock mechanism in place of the normal BNC bayonet coupling. This gives consistent and much improved screening efficiency together with low contact resistance in outer co-axial path, use of these connectors provides the opportunity to upgrade the overall screening performance of systems using BNC sockets, with consequent benefits in respect of reduced r.f. leakage and reduced susceptibility to external interference signals. The level of screening provided is better than that needed to compliment double braided cables, and is appropriate for many of the newly developed superscreened cables—for example, those developed at UKAEA Winfrith. The connectors use crimped terminations for inner conductor and screen.

Impedance	Cable group ①	Part Number ②	Crimp tool ③
50 ohm	339	B35 A26 • 339 X99	30040 or 30039
50 ohm	344	B35 A26 • 344 X99	30040 or 30039
75 ohm	062	B37 A26 • 062 X99	30039

① For cable group to cable type cross reference refer to page 221.

② Replace the • in the part number with required plating code, see page 3 for details.

③ Crimp tool 30039 requires separate dies, for all details on tooling, see page 215.

Please contact the Sales Office for any uncataloged requirements.

All measurements are in millimeters unless otherwise specified

M/A-COM, Inc.