

Magnepot 6120

- **Position Sensor**
- **7/8" Diameter**
- **Non-Contacting Hall Effect Single Turn**



Model Styles Available

6121	1/8" Shaft, 1/4" Bushing
6124	6 mm Shaft, 3/8" Bushing
6126	1/8" Shaft, 3/8" Bushing
6127	1/4" Shaft, 3/8" Bushing
612x-XXXX	Custom models are available; Contact Customer Service for special features

Electrical

Output Voltage	0.2 Vdc (4%) to 4.8 Vdc (96%) Typical (see Feature Codes table)
Output Overvoltage Limits	10 Vdc to -0.3 Vdc; output may be shorted to ground or supply without damage
Output Current	±8 mA Max.
Output Load	1 kΩ Min., 10 kΩ Typical
Input Voltage	4.5 to 5.5 Vdc
Supply Voltage Absolute Limits	20 Vdc Max., -10 Vdc Min.
Independent Linearity ¹	±0.5% (0.25% Available)
Hysteresis	0.2% Max.
Resolution	0.088° for 360° travel, 0.011° for 45° travel
Supply Current	8.5 mA Typical, 12 mA Max.
Dielectric Strength	750 V rms
Insulation Resistance	1,000 MegΩ Min.
Electrostatic Discharge (ESD)	Passes 2 kV human body model and 15 kV air discharge
Bulk Current Injection (BCI)	Passes 2-500 MHz at 200 mA
Actual Electrical Travel	360° Typical (see Ordering Information)
Temperature Coefficient of Output Voltage	± 20 ppm/°C

¹ Linearity is measured between 1% and 99% of input voltage.

General Note

TT electronics reserves the right to make changes in product specification without notice or liability. All information is subject to TT electronics' own data and is considered accurate at time of going to print.

Magnepot 6120

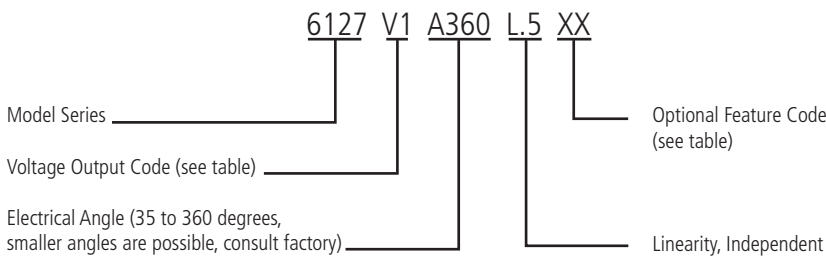
Mechanical

Total Mechanical Travel	360° Continuous (320° with stop feature)
Bearing	Bearing Bronze Bushing
Weight	0.6 oz. Typical
Static Stop Strength	40 in. oz.
Panel Nut Tightening Torque	25 in. lb. Max.

Environmental

Operating Temperature Range	-40°C to +125°C
Shock	Per MIL R-39023, 6 ms Saw-tooth 100 G's
Vibration	Per MIL R-39023, 10 G's, 100 to 500 Hz
Moisture Resistance, Powered	Powered Per MIL 202G, Method 106G
Rotational Life	10 million shaft revolutions
Storage Temperature Range	-55°C to +125°C

Ordering Information



Feature Codes

Voltage Output Codes		Optional Feature Codes	
V0	≤ 3% to ≥ 96%	ST	Stop (320°)
V1	4% to 96%	FS	Flatted Shaft (slot standard)
V2	5% to 95%	LT	Linearity Data
V3	10% to 90%	SL	Shaft Lock
V4	15% to 85%	CW	Reverse Direction
V5	20% to 80%		

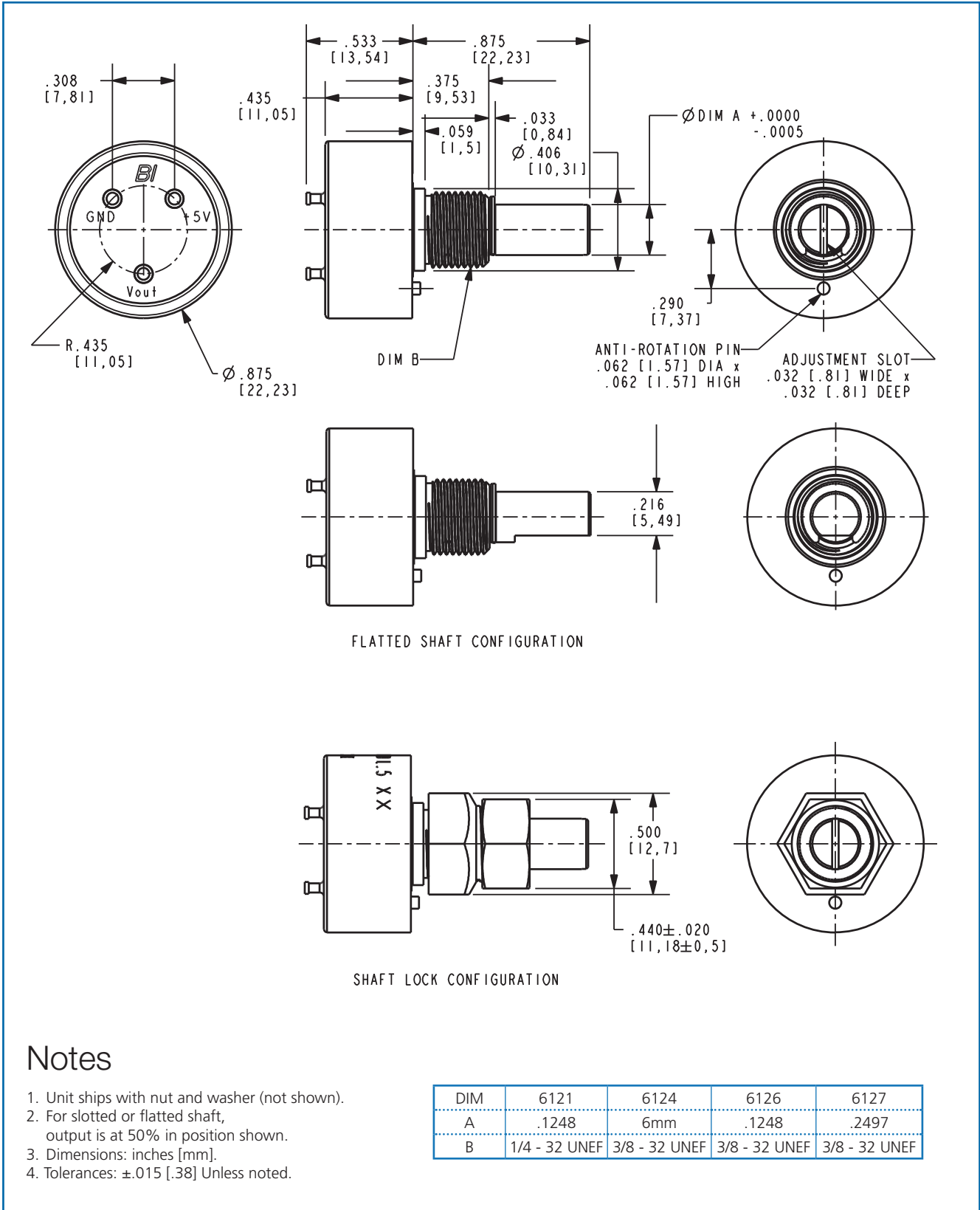
When V0 is used the angle specified is the theoretical angle over which the output would vary if the output could actually reach 0% and 100% of Vcc.

When multiple Optional Feature codes are used the P/N shall be in the same sequence as listed in this table (top to bottom).

General Note

TT electronics reserves the right to make changes in product specification without notice or liability. All information is subject to TT electronics' own data and is considered accurate at time of going to print.

Outline Drawing



General Note

TT electronics reserves the right to make changes in product specification without notice or liability. All information is subject to TT electronics' own data and is considered accurate at time of going to print.