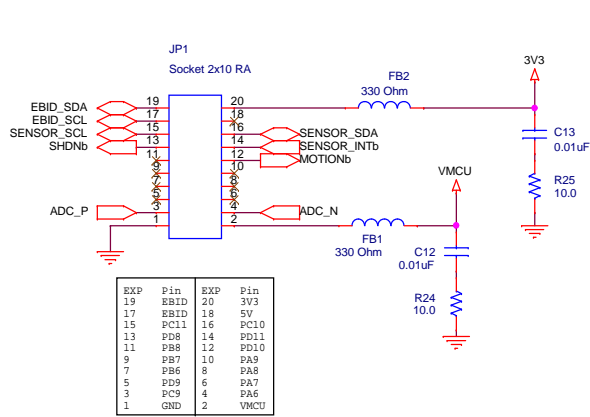
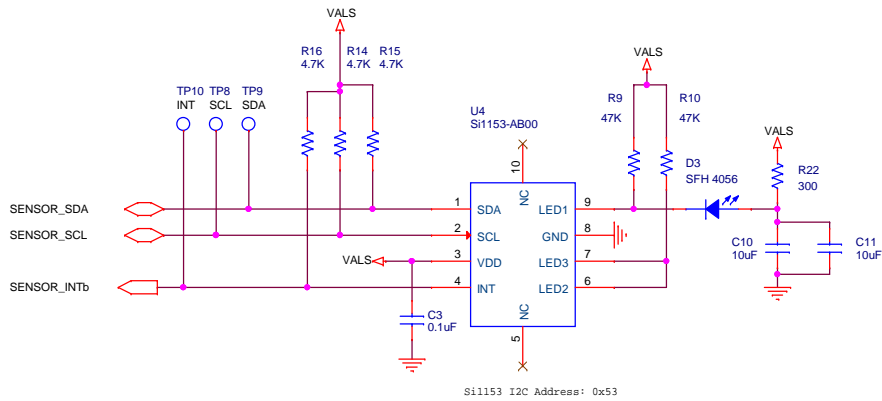


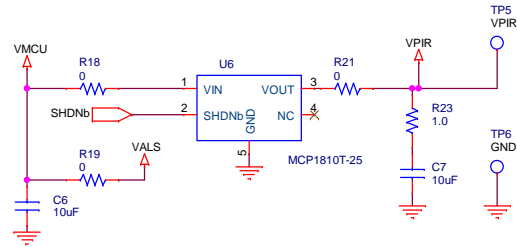
### EXP Header Connector



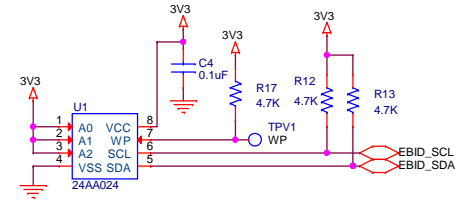
### Ambient Light Sensor for Daylight Harvesting



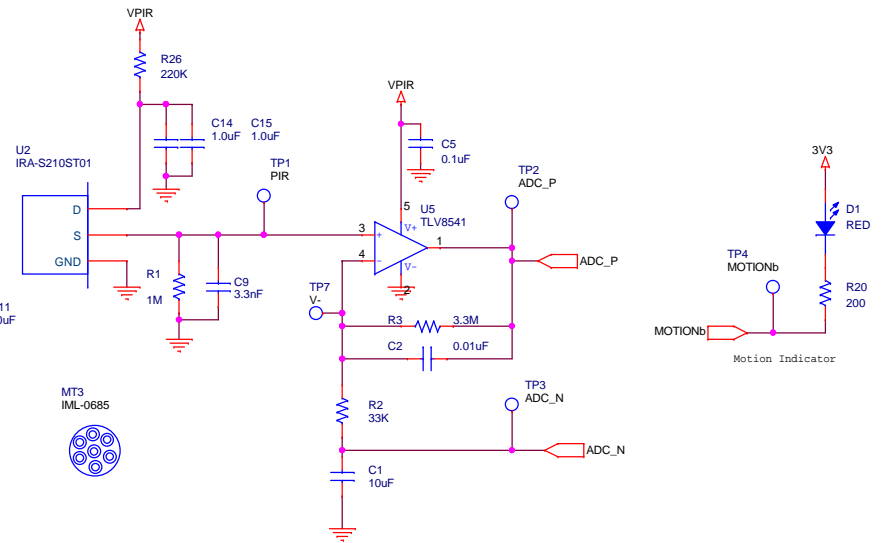
### Power Supplies



### Board Identification



### PIR Sensor Long Range Occupancy Sensing



File		
OCCUPANCY-EXP-EB		
Size	Document Number	Rev
	OCCUPANCY-EXP-EB	1.0
Date:	Wednesday, January 02, 2019	Sheet 1 of 1