

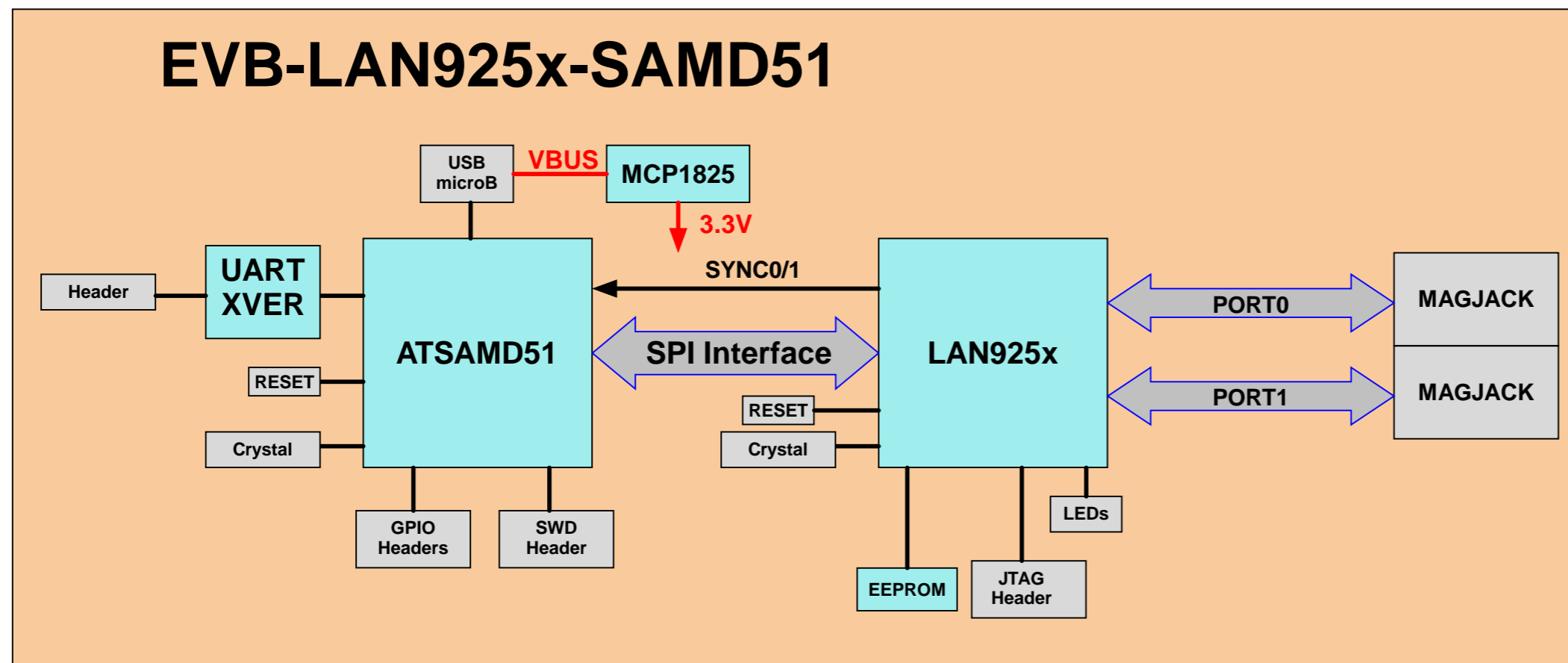
# Table of Contents

Sheet	Description
1	Table of Contents, Revision History, Block Diagram
2	LAN925x
3	ATSAMD51J19A

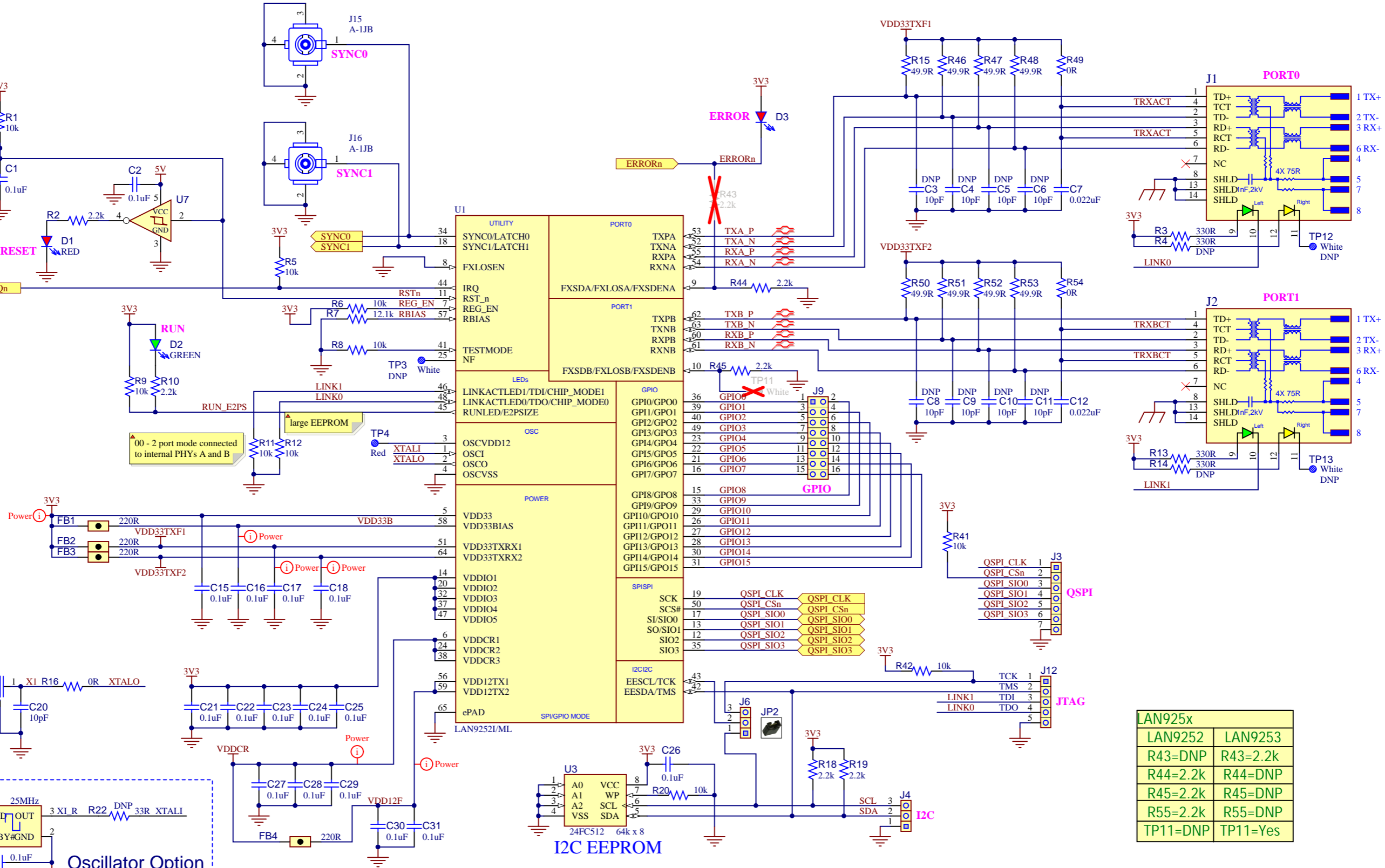
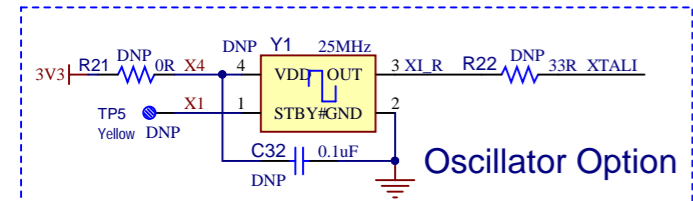
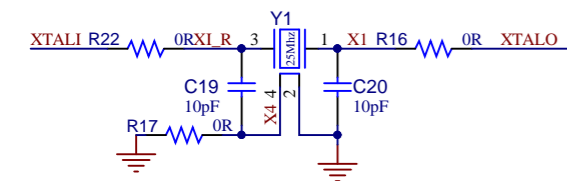
# Revision History

Revision	Date	Revision Summary	Author
00B	1/29/2020	Transfer from Rev A	Arnaldo Cruz
01B	1/29/2020	Header J5 changed from right angle to vertical and moved to the right in the PCB layout for PICKit 4 clearance with Mikroe connector. Header J10 rotated 180 degrees in the PCB layout for clean cable flow.	Arnaldo Cruz Arnaldo Cruz
02B	3/03/2020	Added Port0/Port1 silkscreen labels for EtherCAT compliance	Arnaldo Cruz
B	3/04/2020	Released for manufacturing	Arnaldo Cruz

Notes	
1	All resistors are 1% unless specified otherwise
2	Shunt jumper default selections are marked with an asterisk [*].



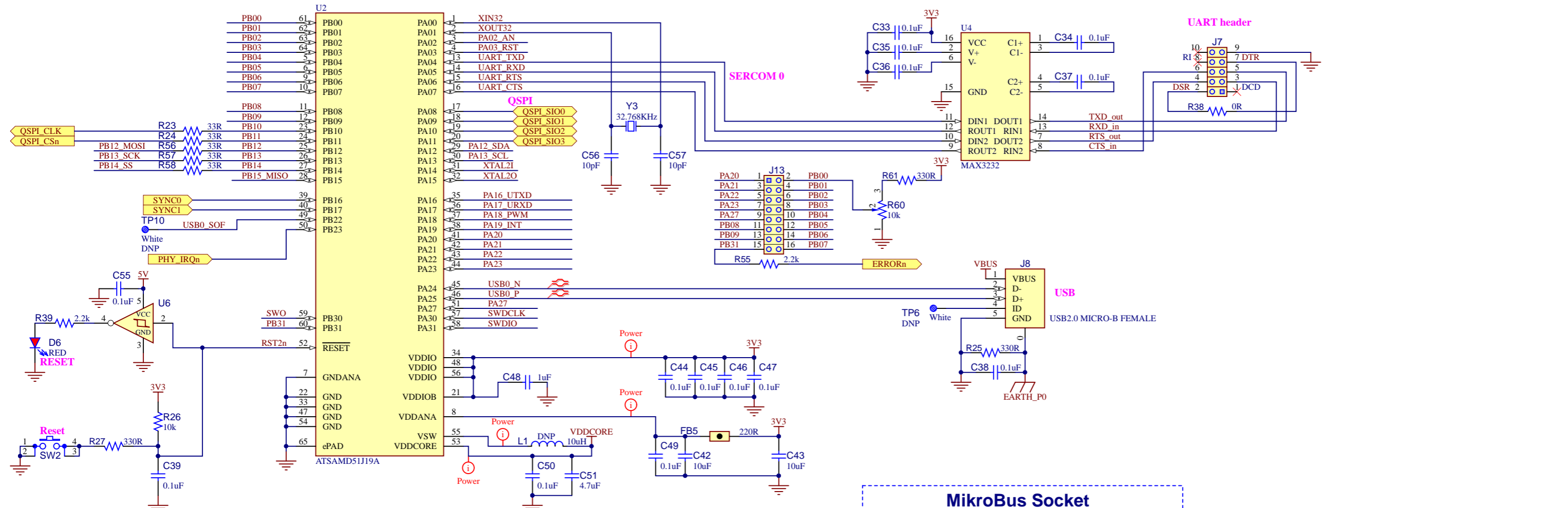
Clock Selection	
Crystal	Oscillator
Y1=25MHz	Y1=25MHz
R16=0R	R16=DNP
R17=0R	R17=DNP
R22=0R	R22=33R
C19=10pF	C19=DNP
C20=10pF	C20=DNP
R21=DNP	R21=0R
C32=DNP	C32=0.1uF



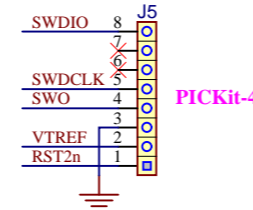
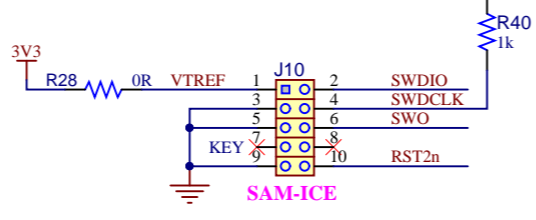
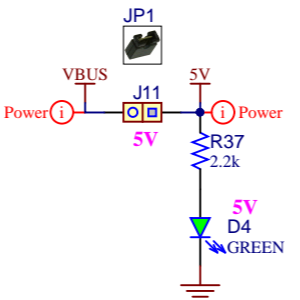
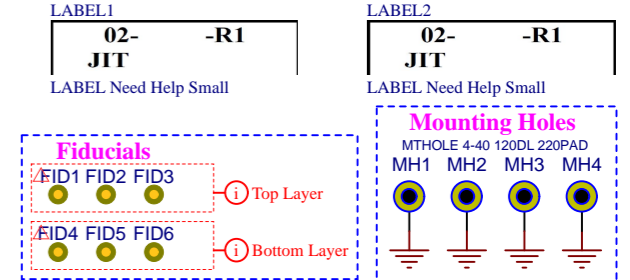
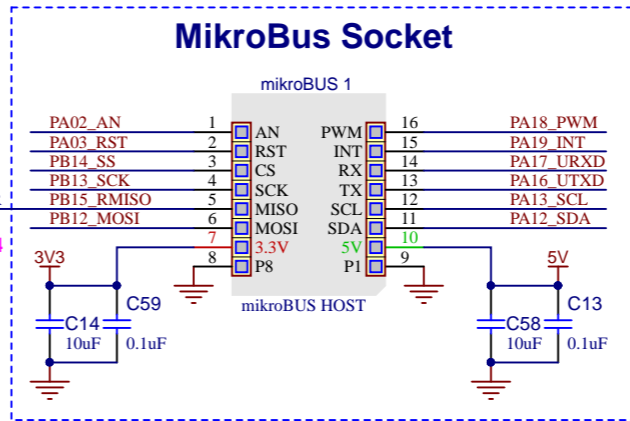
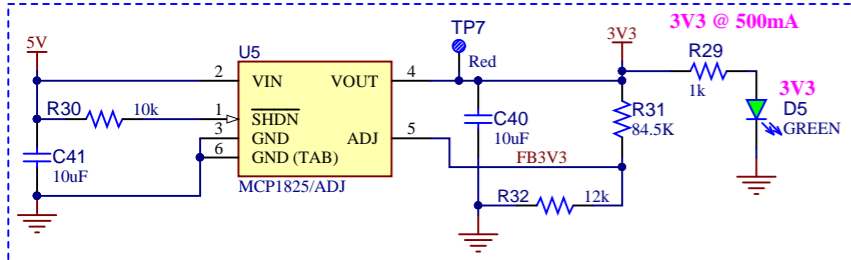
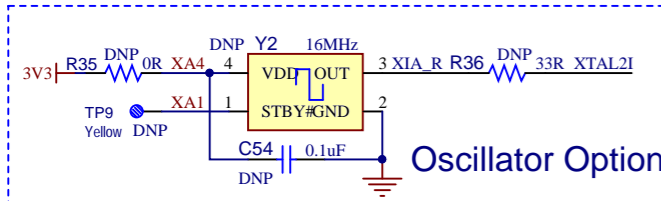
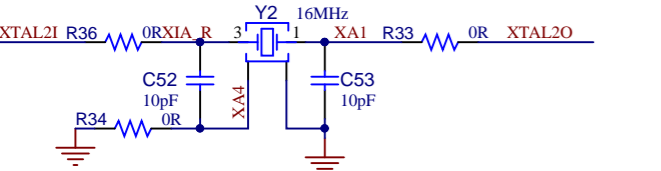
LAN925x	
LAN9252	LAN9253
R43=DNP	R43=2.2k
R44=2.2k	R44=DNP
R45=2.2k	R45=DNP
R55=2.2k	R55=DNP
TP11=DNP	TP11=Yes

Microchip Technology, Inc.  
USB/Network Group - UNG  
www.Microchip.com

Description: <b>EVB-LAN925x_SAMD51</b>		Variant: <b>LAN9252</b>
Page Title: <b>LAN9252, MagJacks, EEPROM</b>		Sch #: 03-11135-R2
Project Name: <b>EVB-LAN925x_SAMD51</b>		PN: <b>11135</b>
Size: B	Date: <b>4/8/2020</b>	Designer: <b>Arnaldo Cruz</b>
Sheet 2 of 3		Rev B



Clock Selection	
Crystal	Oscillator
Y2=16MHz	Y2=16MHz
R33=0R	R33=DNP
R34=0R	R34=DNP
R36=0R	R36=33R
C52=10pF	C52=DNP
C53=10pF	C53=DNP
R30=DNP	R30=0R
C54=DNP	C54=0.1uF



	<b>MICROCHIP</b>	Microchip Technology, Inc. USB/Network Group - UNG www.Microchip.com	Designed with <b>Altium</b> Altium.com
Description: <b>EVB-LAN925x_SAMD51</b>		Variant: <b>LAN9252</b>	
Page Title: <b>ATSAMD51J19A, USB, UART</b>		Sch #: 03-11135-R2	
Project Name: <b>EVB-LAN925x_SAMD51</b>		PN: <b>11135</b>	
Size: B	Date: <b>4/8/2020</b>	Designer: <b>Arnaldo Cruz</b>	Sheet 3 of 3 Rev B