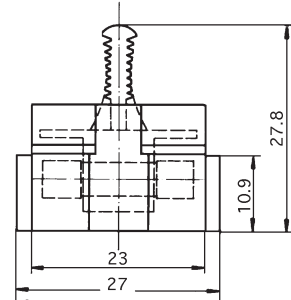
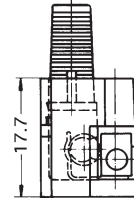
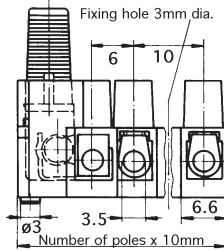
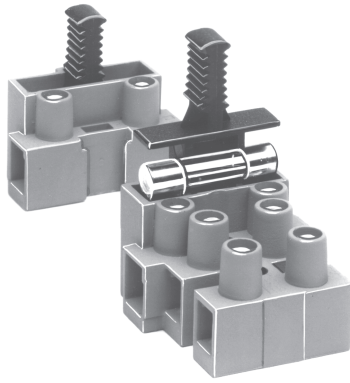


Fused terminal blocks

SERIES 503SI

Fused terminal blocks - 20mm x 5mm fuses



FEATURES

Series 503SI fused terminal blocks are available in unearthed versions from 1 to 5 poles and earthed versions from 3 to 5 poles. A common dovetail enables mixed assemblies to be constructed by clipping on additional 1 pole lengths to provide multiple versions of fused and unfused terminals. All variations can be supplied with or without wire protectors.

Earth Screws & Washers (Optional)

Screws: 503SIES - M3x12, Posi
Washers: 503SITW - M3

Approvals								
Nominal Cross-Section mm ²	2.5	22-12 AWG 10A	22-12 AWG 10A	2.5	2.5	2.5	2.5	2.5
Voltage Rating	V	400	300	300	400	400	400	400

TECHNICAL DETAILS

Mouldings:	nylon 6.6(PA6/6), grey, UL94 V2, (fuseholder black)
Inserts:	brass, tinned
Screws:	M3 steel, zinc plated, chromed
Screw tightening torque:	max: 0.5 Nm
Temp. limits:	max short term: 160° C continuous: 100° C
Current rating:	to EN 60 127-6: fuseholders: 10A to EN 60 335-1: terminal blocks: 10A to EN 60 598: terminal blocks: 16A to EN 60 998: terminal blocks: 24A
Voltage rating:	terminal blocks: 380v fuseholders: 250v
Conductor size:	without wire protectors: up to 6mm ² with wire protectors: up to 2.5mm ²
Wire stripping length:	7mm ² - 7.5mm ²
Fuse size:	20mm x 5mm
Fixing centres:	peg to earth screw: 15mm peg to fixing hole: 20mm

OPTIONS

- Marking:** special printing available. Please provide sketch.
- Covers:** see page 73.
- Fuses:** see catalogue 2, page 102 for details.
- High temperature:** details on request.

