

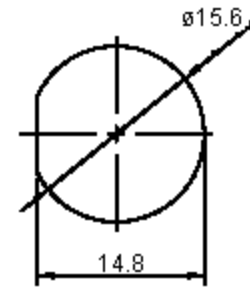
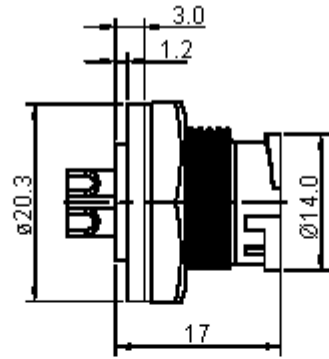


PART NO.

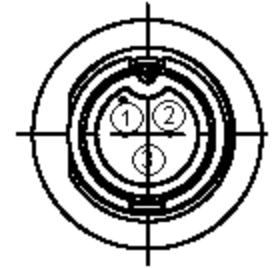
2CT3014-W03400

REVISIONS

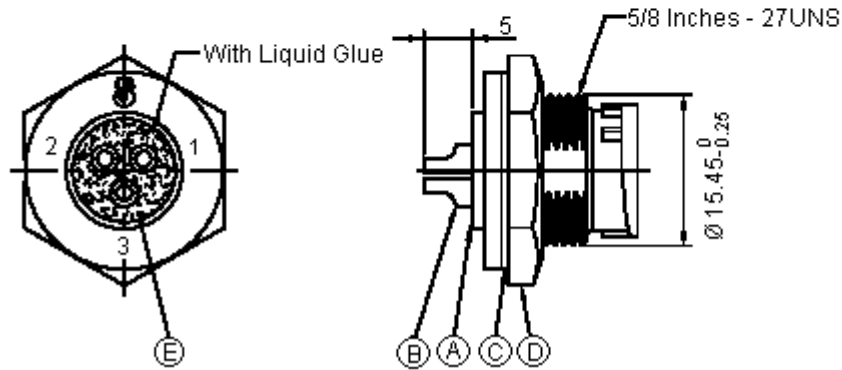
ECN #	REV	DESCRIPTION	DRAWN	DATE	CHECKD	DATE	APPRVD	DATE
-	A	RELEASED	Veena	28/01/11	Jagan	27/01/11	Farnell	11/02/11



Recommended Panel Cut-out



Pin Assignments Front View



Dimensions : Millimetres

This data sheet and its contents (the "Information") belong to the Premier Farnell Group (the "Group") or are licensed to it. No licence is granted for the use of it other than for information purposes in connection with the products to which it relates. No licence of any intellectual property rights is granted. The Information is subject to change without notice and replaces all data sheets previously supplied. The Information supplied is believed to be accurate but the Group assumes no responsibility for its accuracy or completeness, any error in or omission from it or for any use made of it. Users of this data sheet should check for themselves the Information and the suitability of the products for their purpose and not make any assumptions based on information included or omitted. Liability for loss or damage resulting from any reliance on the Information or use of it (including liability resulting from negligence or where the Group was aware of the possibility of such loss or damage arising) is excluded. This will not operate to limit or restrict the Group's liability for death or personal injury resulting from its negligence. SPC MULTICOMP is the registered trademark of the Group. © Premier Farnell plc 2011.

TOLERANCES:
UNLESS OTHERWISE SPECIFIED, DIMENSIONS ARE FOR REFERENCE PURPOSES ONLY.

DRAWN BY:	DATE:
Veena	28/01/11
CHECKED BY:	DATE:
Jagan	28/01/11
APPROVED BY:	DATE:
Farnell	11/02/11

DRAWING TITLE:			
Panel Mount Socket - 10A, IP67, 3 WAY			
SIZE	DWG NO.	ELECTRONIC FILE	REV
A	M10002711	1860736	A
SCALE: NTS	U.O.M.: mm	SHEET: 1 OF 2	



PART NO.

2CT3014-W03400

REVISIONS

ECN #	REV	DESCRIPTION	DRAWN	DATE	CHECKD	DATE	APPRVD	DATE
-	A	RELEASED	Veena	28/01/11	Jagan	27/01/11	Farnell	11/02/11

Specifications:

Waterproof rate : IP67
 IP67 : Immersed in 1m water for 30 minutes

Electrical characteristics :

Temperature range : 40°C to + 100°C
 Current rating : 102A
 Dielectric withstanding voltage : 1000V ac for one minute
 To conform to Singatron hazardous substance free specification
 Panel thickness: 4.0mm (maximum)

Specifications Table

Item	Description	Material	Plating and Colour
A	Body	Nylon + GF	Black
B	Female pin	Phosphor Bronze Alloy	1µ inches gold plated over nickel plating
C	Gasket	EPDM	Black
D	Nut	Nylon + GF	
E	Liquid glue	-	

Part Number Table

Description	Part Number
Socket, Panel, 10A, 3 Way, IP67	2CT3014-W03400

<http://www.farnell.com>
<http://www.newark.com>
<http://www.cpc.co.uk>

This data sheet and its contents (the "Information") belong to the Premier Farnell Group (the "Group") or are licensed to it. No licence is granted for the use of it other than for information purposes in connection with the products to which it relates. No licence of any intellectual property rights is granted. The Information is subject to change without notice and replaces all data sheets previously supplied. The Information supplied is believed to be accurate but the Group assumes no responsibility for its accuracy or completeness, any error in or omission from it or for any use made of it. Users of this data sheet should check for themselves the information and the suitability of the products for their purpose and not make any assumptions based on information included or omitted. Liability for loss or damage resulting from any reliance on the Information or use of it (including liability resulting from negligence or where the Group was aware of the possibility of such loss or damage arising) is excluded. This will not operate to limit or restrict the Group's liability for death or personal injury resulting from its negligence. SPC MULTICOMP is the registered trademark of the Group. © Premier Farnell plc 2011.

**TOLERANCES:
 UNLESS OTHERWISE SPECIFIED,
 DIMENSIONS ARE FOR REFERENCE PURPOSES ONLY.**

DRAWN BY:	DATE:
Veena	28/01/11
CHECKED BY:	DATE:
Jagan	28/01/11
APPROVED BY:	DATE:
Farnell	11/02/11

DRAWING TITLE:			
Panel Mount Socket - 10A, IP67, 3 WAY			
SIZE	DWG NO.	ELECTRONIC FILE	REV
A	M10002711	1860736	A
SCALE: NTS	U.O.M.: mm	SHEET: 2 OF 2	