

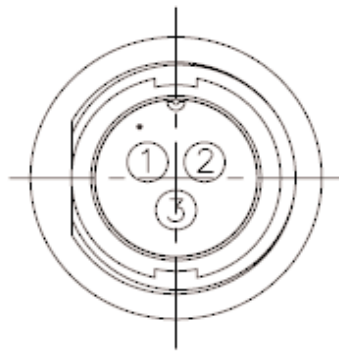


PART NO.

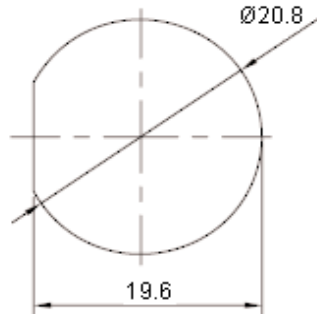
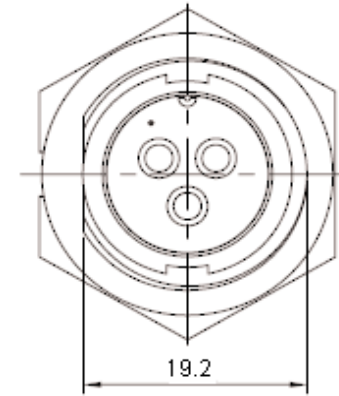
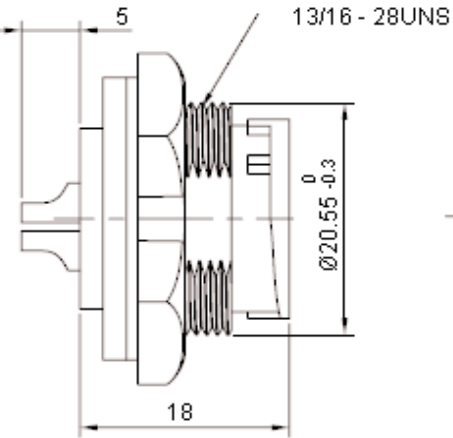
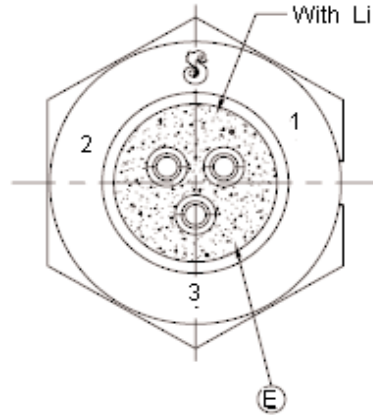
2CM3002-W03600

REVISIONS

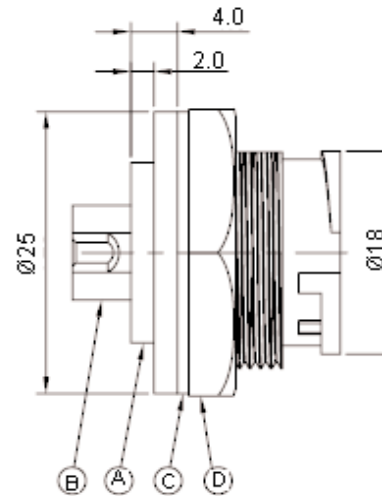
ECN #	REV	DESCRIPTION	DRAWN	DATE	CHECKD	DATE	APPRVD	DATE
-	A	RELEASED	Veena	28/01/11	Jagan	27/01/11	Farnell	11/02/11



PIN ASSIGNMENTS
FRONT VIEW



RECOMMENDED PANEL CUT-OUT



Dimensions : Millimetres

This data sheet and its contents (the "Information") belong to the Premier Farnell Group (the "Group") or are licensed to it. No licence is granted for the use of it other than for information purposes in connection with the products to which it relates. No licence of any intellectual property rights is granted. The Information is subject to change without notice and replaces all data sheets previously supplied. The Information supplied is believed to be accurate but the Group assumes no responsibility for its accuracy or completeness, any error in or omission from it or for any use made of it. Users of this data sheet should check for themselves the Information and the suitability of the products for their purpose and not make any assumptions based on information included or omitted. Liability for loss or damage resulting from any reliance on the Information or use of it (including liability resulting from negligence or where the Group was aware of the possibility of such loss or damage arising) is excluded. This will not operate to limit or restrict the Group's liability for death or personal injury resulting from its negligence. SPC MULTICOMP is the registered trademark of the Group. © Premier Farnell plc 2011.

TOLERANCES:

UNLESS OTHERWISE SPECIFIED, DIMENSIONS ARE FOR REFERENCE PURPOSES ONLY.

DRAWN BY:	DATE:
Veena	28/01/11
CHECKED BY:	DATE:
Jagan	28/01/11
APPROVED BY:	DATE:
Farnell	11/02/11

DRAWING TITLE:

Panel Mount Plug - 16A, IP67, 3 WAY

SIZE A	DWG NO. M10002715	ELECTRONIC FILE 1860743	REV A
SCALE: NTS	U.O.M.: mm	SHEET: 1 OF 2	



PART NO.

2CM3002-W03600

REVISIONS

ECN #	REV	DESCRIPTION	DRAWN	DATE	CHECKD	DATE	APPRVD	DATE
-	A	RELEASED	Veena	28/01/11	Jagan	27/01/11	Farnell	11/02/11

Specifications:

Waterproof rate : IP67
 IP67 : Immersed in 1m water for 30 minutes

Electrical characteristics :

Temperature range : 40°C to + 100°C
 Current rating : 102A
 Dielectric withstanding voltage : 1000V ac for one minute
 To conform to Singatron hazardous substance free specification
 Panel thickness: 4.0mm (maximum)

Specifications Table

Item	Description	Material	Plating and Colour
A	Body	Nylon + GF	Black
B	Male pin	Brass	6µ inches gold plated over nickel plating
C	Gasket	EPDM	Black
D	Nut	Nylon + GF	
E	Liquid glue	-	

Part Number Table

Description	Part Number
Plug, Panel, 16A, 3 Way, IP67	2CM3002-W03600

<http://www.farnell.com>
<http://www.newark.com>
<http://www.cpc.co.uk>

This data sheet and its contents (the "Information") belong to the Premier Farnell Group (the "Group") or are licensed to it. No licence is granted for the use of it other than for information purposes in connection with the products to which it relates. No licence of any intellectual property rights is granted. The Information is subject to change without notice and replaces all data sheets previously supplied. The Information supplied is believed to be accurate but the Group assumes no responsibility for its accuracy or completeness, any error in or omission from it or for any use made of it. Users of this data sheet should check for themselves the information and the suitability of the products for their purpose and not make any assumptions based on information included or omitted. Liability for loss or damage resulting from any reliance on the Information or use of it (including liability resulting from negligence or where the Group was aware of the possibility of such loss or damage arising) is excluded. This will not operate to limit or restrict the Group's liability for death or personal injury resulting from its negligence. SPC MULTICOMP is the registered trademark of the Group. © Premier Farnell plc 2011.

**TOLERANCES:
 UNLESS OTHERWISE SPECIFIED,
 DIMENSIONS ARE FOR REFERENCE PURPOSES ONLY.**

DRAWN BY:	DATE:
Veena	28/01/11
CHECKED BY:	DATE:
Jagan	28/01/11
APPROVED BY:	DATE:
Farnell	11/02/11

DRAWING TITLE:			
Panel Mount Plug - 16A, IP67, 3 WAY			
SIZE A	DWG NO. M10002715	ELECTRONIC FILE 1860743	REV A
SCALE: NTS	U.O.M.: mm	SHEET: 2 OF 2	