

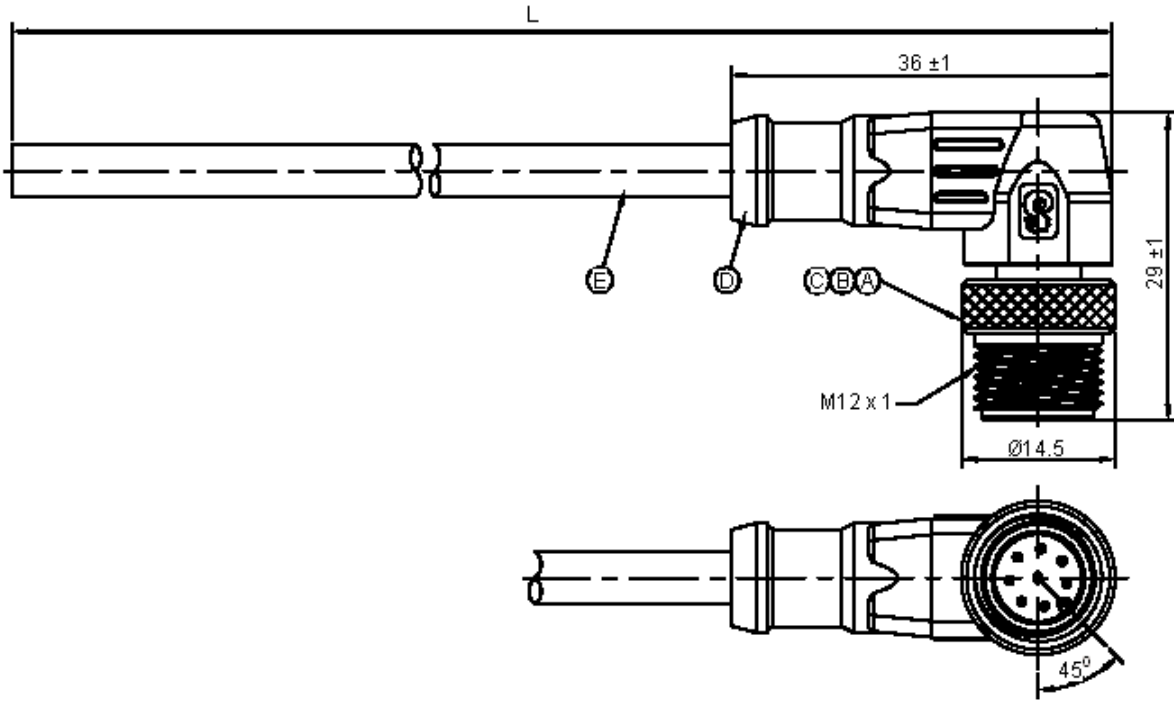


PART NO.

2MT3013-W0 - Series

REVISIONS

ECN #	REV	DESCRIPTION	DRAWN	DATE	CHECKD	DATE	APPRVD	DATE
-	A	RELEASED	Veena	01/02/11	Jagan	02/01/11	Farnell	15/02/11



Dimensions : Millimetres

Specifications:

- Waterproof rate : IP67 and IP68.
- IP67 : Immersed in 1m water for 30 minutes.
- IP68 : Immersed in 1m water for 24 hours.
- Cable length tolerance : 1m to 10m ±5%mm
11m to 99m ±500mm.
- Specifications : M12 series specifications.
- To conform to singatron hazardous substance free specifications.

This data sheet and its contents (the "Information") belong to the Premier Farnell Group (the "Group") or are licensed to it. No licence is granted for the use of it other than for information purposes in connection with the products to which it relates. No licence of any intellectual property rights is granted. The Information is subject to change without notice and replaces all data sheets previously supplied. The Information supplied is believed to be accurate but the Group assumes no responsibility for its accuracy or completeness, any error in or omission from it or for any use made of it. Users of this data sheet should check for themselves the Information and the suitability of the products for their purpose and not make any assumptions based on information included or omitted. Liability for loss or damage resulting from any reliance on the Information or use of it (including liability resulting from negligence or where the Group was aware of the possibility of such loss or damage arising) is excluded. This will not operate to limit or restrict the Group's liability for death or personal injury resulting from its negligence. SPC MULTICOMP is the registered trademark of the Group. © Premier Farnell plc 2011.

TOLERANCES:

UNLESS OTHERWISE SPECIFIED, DIMENSIONS ARE FOR REFERENCE PURPOSES ONLY.

DRAWN BY:	DATE:
Veena	01/02/11
CHECKED BY:	DATE:
Jagan	01/02/11
APPROVED BY:	DATE:
Farnell	15/02/11

DRAWING TITLE:			
Cable Assembly - Plug - Free End, PVC, R/A, 1M			
SIZE	DWG NO.	ELECTRONIC FILE	REV
A	M10002585	1860772-1860775	A
SCALE: NTS		U.O.M.: mm	SHEET: 1 OF 4



PART NO.

2MT3013-W0 - Series

REVISIONS

ECN #	REV	DESCRIPTION	DRAWN	DATE	CHECKD	DATE	APPRVD	DATE
-	A	RELEASED	Veena	01/02/11	Jagan	02/01/11	Farnell	15/02/11

Specifications Table

Item	Description	Material	Plating and Colour
A	Body	TPU	Black
B	Male PIN	Brass	6µ Inches Gold Plated Over Nickel Plating
C	Screw Nut		Nickel Plating 100µ Inches
D	Over Mould	TPU	Black
E	Cable	See Note 7	

Part Number Table

Description	PIN Assignments Front View	Cable Specifications	Rating	Waterproof Rate	Part Number
Cable Assy, Plug-Free, R/A, 3Way, 1M		22 AWG X 3C + A, PVC Jacket, UV Resistant, Outer Diameter = Ø5.0, Wire Colour: 1. Brown, 3. Blue and 4. Black	5A 60V ac/dc	IP67	2MT3013-W03300
Cable Assy, Plug-Free, R/A, 4Way, 1M		22 AWG X 4C + A, PVC Jacket, UV Resistant, Outer Diameter = Ø5.0, Wire Colour: 1. Brown, 2. White, 3. Blue and 4. Black			2MT3013-W04300

This data sheet and its contents (the "Information") belong to the Premier Farnell Group (the "Group") or are licensed to it. No licence is granted for the use of it other than for information purposes in connection with the products to which it relates. No licence of any intellectual property rights is granted. The Information is subject to change without notice and replaces all data sheets previously supplied. The Information supplied is believed to be accurate but the Group assumes no responsibility for its accuracy or completeness, any error in or omission from it or for any use made of it. Users of this data sheet should check for themselves the Information and the suitability of the products for their purpose and not make any assumptions based on information included or omitted. Liability for loss or damage resulting from any reliance on the Information or use of it (including liability resulting from negligence or where the Group was aware of the possibility of such loss or damage arising) is excluded. This will not operate to limit or restrict the Group's liability for death or personal injury resulting from its negligence. SPC MULTICOMP is the registered trademark of the Group. © Premier Farnell plc 2011.

TOLERANCES:
UNLESS OTHERWISE SPECIFIED, DIMENSIONS ARE FOR REFERENCE PURPOSES ONLY.

DRAWN BY:	DATE:
Veena	01/02/11
CHECKED BY:	DATE:
Jagan	01/02/11
APPROVED BY:	DATE:
Farnell	15/02/11

DRAWING TITLE:			
Cable Assembly - Plug - Free End, PVC, R/A, 1M			
SIZE	DWG NO.	ELECTRONIC FILE	REV
A	M10002585	1860772-1860775	A
SCALE: NTS		U.O.M.: mm	SHEET: 2 OF 4



PART NO.

2MT3013-W0 - Series

REVISIONS

ECN #	REV	DESCRIPTION	DRAWN	DATE	CHECKD	DATE	APPRVD	DATE
-	A	RELEASED	Veena	01/02/11	Jagan	02/01/11	Farnell	15/02/11

Part Number Table

Description	PIN Assignments Front View	Cable Specifications	Rating	Waterproof Rate	Part Number
Cable Assy, Plug-Free, R/A, 5Way, 1M		22 AWG X 5C + A, PVC Jacket, UV Resistant, Outer Diameter = Ø5.5, Wire Colour: 1. Brown, 2. White, 3. Blue, 4. Black and 5. Green	5A 60V ac/dc	IP67	2MT3013-W05300
Cable Assy, Plug-Free, R/A, 8Way, 1M		22 AWG X 8C + A, PVC Jacket, UV Resistant, Outer Diameter = Ø5.4, Wire Colour: 1. Black, 2. Brown, 3. Green, 4. Yellow, 5. Grey, 6. White, 7. Blue and 8. Red	2A 60V ac/dc		2MT3013-W08200
Cable Assy, Plug-Free, R/A, 3Way, 1M		22 AWG X 3C + A, Black FR-TPU Jacket, UW-1 Outer Diameter = Ø5.0, Wire Colour: 1. Brown, 3. Blue and 4. Black	5A 60V ac/dc	IP68	2MT3013-W03300
Cable Assy, Plug-Free, R/A, 4Way, 1M		22 AWG X 4C + A, Black FR-TPU Jacket, VW-1 Outer Diameter = Ø5.0, Wire Colour: 1. Brown, 2. White, 3. Blue and 4. Black			2MT3013-W04300

This data sheet and its contents (the "Information") belong to the Premier Farnell Group (the "Group") or are licensed to it. No licence is granted for the use of it other than for information purposes in connection with the products to which it relates. No licence of any intellectual property rights is granted. The Information is subject to change without notice and replaces all data sheets previously supplied. The Information supplied is believed to be accurate but the Group assumes no responsibility for its accuracy or completeness, any error in or omission from it or for any use made of it. Users of this data sheet should check for themselves the Information and the suitability of the products for their purpose and not make any assumptions based on information included or omitted. Liability for loss or damage resulting from any reliance on the Information or use of it (including liability resulting from negligence or where the Group was aware of the possibility of such loss or damage arising) is excluded. This will not operate to limit or restrict the Group's liability for death or personal injury resulting from its negligence. SPC MULTICOMP is the registered trademark of the Group. © Premier Farnell plc 2011.

TOLERANCES:

UNLESS OTHERWISE SPECIFIED, DIMENSIONS ARE FOR REFERENCE PURPOSES ONLY.

DRAWN BY:	DATE:
Veena	01/02/11
CHECKED BY:	DATE:
Jagan	01/02/11
APPROVED BY:	DATE:
Farnell	15/02/11

DRAWING TITLE:

Cable Assembly - Plug - Free End, PVC, R/A, 1M

SIZE A	DWG NO. M10002585	ELECTRONIC FILE 1860772-1860775	REV A
SCALE: NTS		U.O.M.: mm	SHEET: 3 OF 4





PART NO.

2MT3013-W0 - Series

REVISIONS

ECN #	REV	DESCRIPTION	DRAWN	DATE	CHECKD	DATE	APPRVD	DATE
-	A	RELEASED	Veena	01/02/11	Jagan	02/01/11	Farnell	15/02/11

Part Number Table

Description	PIN Assignments Front View	Cable Specifications	Rating	Waterproof Rate	Part Number
Cable Assy, Plug-Free, R/A, 5Way, 1M		22 AWG X 5C + A, Black FR-TPU VW-1 Outer Diameter = Ø5.5, Wire Colour: 1. Brown, 2. White, 3. Blue, 4. Black and 5. Green	5A 60V ac/dc	IP68	2MT3013-W05300
Cable Assy, Plug-Free, R/A, 8Way, 1M		24 AWG X 8C + A, Black FR-TPU VW-1 Outer Diameter = Ø5.4, Wire Colour: 1. Black, 2. Brown, 3. Green, 4. Yellow, 5. Grey, 6. White, 7. Blue and 8. Red	2A 60V ac/dc		2MT3013-W08200

<http://www.farnell.com>

<http://www.newark.com>

<http://www.cpc.co.uk>

This data sheet and its contents (the "Information") belong to the Premier Farnell Group (the "Group") or are licensed to it. No licence is granted for the use of it other than for information purposes in connection with the products to which it relates. No licence of any intellectual property rights is granted. The Information is subject to change without notice and replaces all data sheets previously supplied. The Information supplied is believed to be accurate but the Group assumes no responsibility for its accuracy or completeness, any error in or omission from it or for any use made of it. Users of this data sheet should check for themselves the Information and the suitability of the products for their purpose and not make any assumptions based on information included or omitted. Liability for loss or damage resulting from any reliance on the Information or use of it (including liability resulting from negligence or where the Group was aware of the possibility of such loss or damage arising) is excluded. This will not operate to limit or restrict the Group's liability for death or personal injury resulting from its negligence. SPC MULTICOMP is the registered trademark of the Group. © Premier Farnell plc 2011.

TOLERANCES:

UNLESS OTHERWISE SPECIFIED, DIMENSIONS ARE FOR REFERENCE PURPOSES ONLY.

DRAWN BY:	DATE:
Veena	01/02/11
CHECKED BY:	DATE:
Jagan	01/02/11
APPROVED BY:	DATE:
Farnell	15/02/11

DRAWING TITLE:			
Cable Assembly - Plug - Free End, PVC, R/A, 1M			
SIZE	DWG NO.	ELECTRONIC FILE	REV
A	M10002585	1860772-1860775	A
SCALE: NTS		U.O.M.: mm	SHEET: 4 OF 4