

**NOTES:**

1. MATERIALS:  
HOUSING - LIQUID CRYSTAL POLYMER (LCP)  
GLASS FILLED, UL94V-0, BLACK  
SIGNAL PIN AND SHIELD - COPPER ALLOY
2. FINISHES:  
CONTACT AREA - SELECTIVE GOLD (Au)  
PCB TAILS - SELECTIVE TIN/LEAD (SnPb) OR MATTE TIN (Sn)
3. THIS PART CONFORMS TO MOLEX PRODUCT SPECIFICATION PS-74031-999.
4. FOR MIXED CONTACT LENGTH CONTACT MOLEX FOR AVAILABILITY.
5. FOR SPECIFIC MATERIAL NUMBERS AND MATING INFORMATION REFER TO SHEET 2.
6. PACKAGE PER PK-74058-003.
7. ASSEMBLY WILL BE MARKED WITH P/N AND DATE CODE WITH LASER MARK ON SIDE OF HOUSING

ADD TAIL LENGTH EC NO: UCP2011-2182 DRWN:WOLFE 2011/01/21 CHKD:SDANNELLEY 2011/01/21 APPR:SMILLER 2011/02/17	DESCRIPTION QUALITY SYMBOLS $\nabla=0$ $\nabla=0$ $\nabla=0$	GENERAL TOLERANCES (UNLESS SPECIFIED)		DIMENSION STYLE <b>MM ONLY</b>		SCALE 3:1	DESIGN UNITS METRIC	THIRD ANGLE PROJECTION		
		4 PLACES $\pm$ ---	$\pm$ ---	mm	INCH	DRAWN BY JJONIAK	DATE 2008/07/09	<b>VHDM H-SERIES 6 ROW BACKPLANE SHIELD END</b>		
		3 PLACES $\pm$ ---	$\pm$ ---			CHECKED BY JJONIAK	DATE 2008/07/09			
		2 PLACES $\pm 0.25$	$\pm$ ---			APPROVED BY SMILLER	DATE 2010/03/09	<b>MOLEX INCORPORATED</b> DOCUMENT NO. <b>SD-76762-001</b>		
1 PLACE $\pm 0.38$	$\pm$ ---			MATERIAL NO. <b>SEE TABLE</b>		SHEET NO. 1 OF 2				
ANGULAR $\pm 1/2^\circ$		DRAFT WHERE APPLICABLE MUST REMAIN WITHIN DIMENSIONS		THIS DRAWING CONTAINS INFORMATION THAT IS PROPRIETARY TO MOLEX INCORPORATED AND SHOULD NOT BE USED WITHOUT WRITTEN PERMISSION						

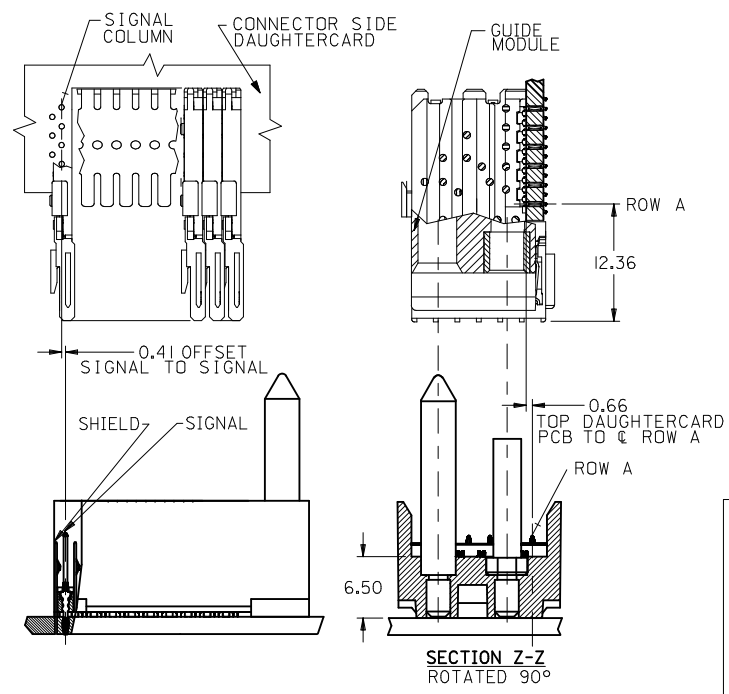
M/N 76762-( )	---0*	---1*	---2*	---3*	---4*	---5*	---6*	---7*	---8*
KEYING PIN ORIENTATION									

76762 - \* \* \* \*

NUMBER OF COLUMNS/PLATING  
 10 = 10 COLUMN TIN/LEAD  
 25 = 25 COLUMN TIN/LEAD  
 90 = 10 COLUMN MATTE TIN  
 85 = 25 COLUMN MATTE TIN

CONTACT LOAD  
 (PIN LENGTH)  
 1 & 6 = 4.75  
 2 & 7 = 6.25  
 3 & 8 = 4.25  
 4 & 9 = 5.15

PART NUMBER	COLUMN	NUMBER OF SIGNAL	NUMBER OF PIN	NUMBER OF SHIELD	A	B	M	Au (um) THICKNESS	Sn (um) THICKNESS
76762 - *0 *1	10	60	10	10	27.00	18.00	4.75	0.76	0.76-1.52
76762 - *0 *6								1.27	
76762 - *5 *1	25	150	25	25	57.00	48.00	4.75	0.76	
76762 - *5 *6								1.27	
76762 - *0 *2	10	60	10	10	27.00	18.00	6.25	0.76	
76762 - *0 *7								1.27	
76762 - *5 *2	25	150	25	25	57.00	48.00	6.25	0.76	
76762 - *5 *7								1.27	
76762 - *0 *3	10	60	10	10	27.00	18.00	4.25	0.76	
76762 - *0 *8								1.27	
76762 - *5 *3	25	150	25	25	57.00	48.00	4.25	0.76	
76762 - *5 *8								1.27	
76762 - *0 *4	10	60	10	10	27.00	18.00	5.15	0.76	
76762 - *0 *9								1.27	
76762 - *5 *4	25	150	25	25	57.00	48.00	5.15	0.76	
76762 - *5 *9								1.27	



ADD TAIL LENGTH EC NO: UCP2011-2182 DRWN:WOLFE 2011/01/21 CHKD:SDANNELLEY 2011/01/21 APPR:SMILLER 2011/02/17	QUALITY SYMBOLS ∇=0 ∇=0 ∇=0	GENERAL TOLERANCES (UNLESS SPECIFIED)		DIMENSION STYLE <b>MM ONLY</b>	SCALE <b>1:1</b>	DESIGN UNITS <b>METRIC</b>	THIRD ANGLE PROJECTION
		4 PLACES ± --- ± --- 3 PLACES ± --- ± --- 2 PLACES ± 0.25 ± --- 1 PLACE ± 0.38 ± --- ANGULAR ±1/2°	mm INCH ± --- ± --- ± --- ± --- ± --- ± --- ± --- ± ---	DRAWN BY J JONIAK	DATE 2008/07/09	TITLE <b>VHDM H-SERIES                  6 ROW BACKPLANE                  SHIELD END</b>	
DRAFT WHERE APPLICABLE MUST REMAIN WITHIN DIMENSIONS		APPROVED BY SMILLER		DATE 2010/03/09	MOLEX INCORPORATED		
SEE TABLE		MATERIAL NO.		DOCUMENT NO. <b>SD-76762-001</b>		SHEET NO. <b>2 OF 2</b>	