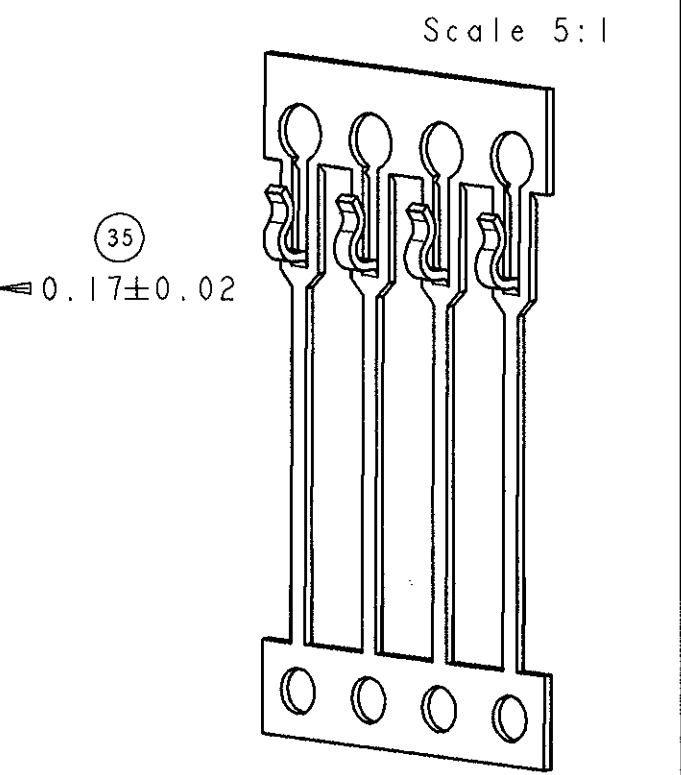
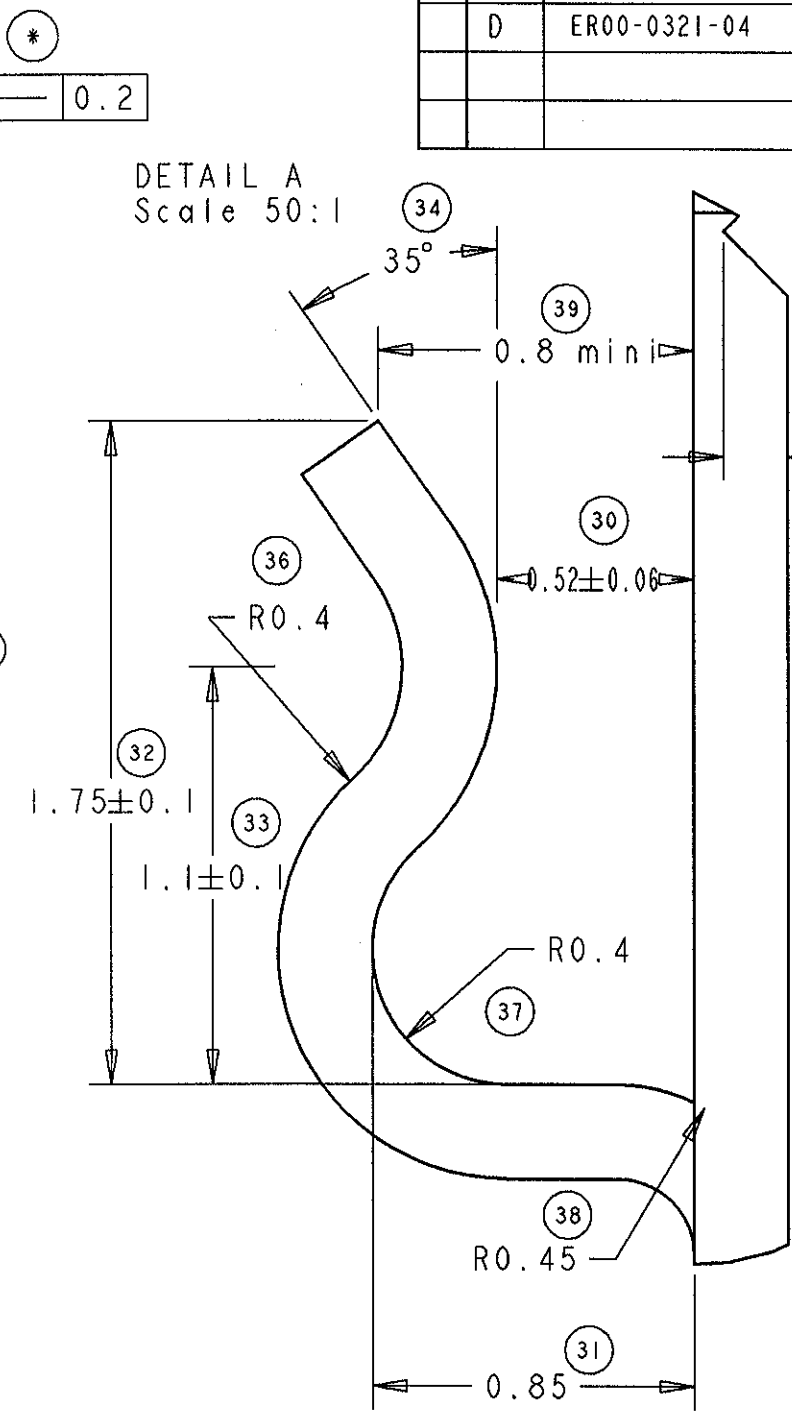
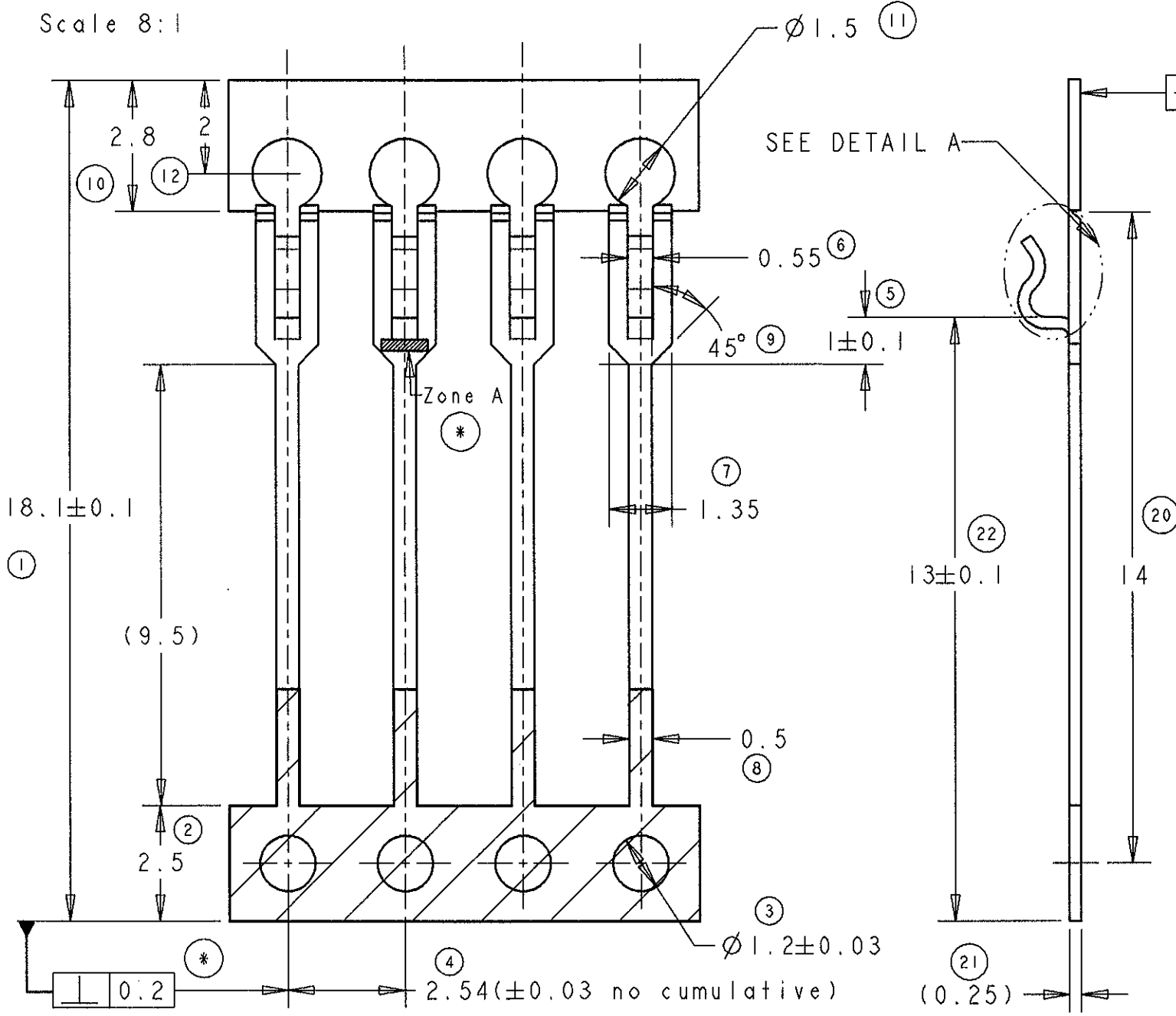


THIS DRAWING IS UNPUBLISHED. RELEASED FOR PUBLICATION 20
 © COPYRIGHT 20 BY TYCO ELECTRONICS CORPORATION. ALL RIGHTS RESERVED.

LOC	DIST	REVISIONS				
P	LTR	DESCRIPTION	DATE	DWN	APVD	
F	00	C	See EC : ER00-0362-03	04NOV2003	PFs	JDr
		D	ER00-0321-04	25JUN2004	SRd	JDr



BOWING: After upper tie bar removal: 1.5mm Maxi for 500mm
 PITCH: After upper tie bar removal: 2.54 ± 0.127

Dimension with * will be applied on ref 1544425-3 (518 2697)
 Nota: no marking by tool will be accepted in zone A (on top/on bottom)

PRONER COMATEL P/N	TYCO Electronics P/N	PLATING
5180718042111	1544425-1	Before stamping Sn:112-16-4 Sn pur 3µ mini
5180718044111	1544425-2	After stamping Ni:112-25-3 Sn:112-65-1 Ni:1.27 à 3µ Sn pur: 4µ mini
5182697044111	1544425-3	After stamping Ni:112-25-3 Sn:112-65-1 Ni:1.27 à 3µ Sn pur: 4µ mini
5183894004111	1544425-4	No
-	1544425-7	After stamping Sn:112-25-3 Sn:112-26-1 Ni:1.27 à 3µ SnPb: 4 à 8µ

THIS DRAWING IS A CONTROLLED DOCUMENT FOR TYCO ELECTRONICS CORPORATION. IT IS SUBJECT TO CHANGE AND THE CONTROLLING ENGINEERING ORGANIZATION SHOULD BE CONTACTED FOR THE LATEST REVISION.

DIMENSIONS: mm	TOLERANCES UNLESS OTHERWISE SPECIFIED: 0 PLC ±- 1 PLC ±- 2 PLC ±0.05 3 PLC ±- 4 PLC ±- ANGLES ±7'	DWN P. FLORES 04NOV2003	Tyco Electronics France SAS RN 90, 38530 Chapareilhan
		CHK T. GUIMIER 04NOV2003	
	MATERIAL SM 105 FINISH See table	APVD J. DAHER 04NOV2003	NAME
		PRODUCT SPEC	LEAD FRAME "SIL"
		APPLICATION SPEC	SIZE A3 CAGE CODE 00779 DRAWING NO C=1544425 RESTRICTED TO
		WEIGHT -	SCALE 5:1 SHEET 1 OF 1 REV D

CUSTOMER DRAWING