

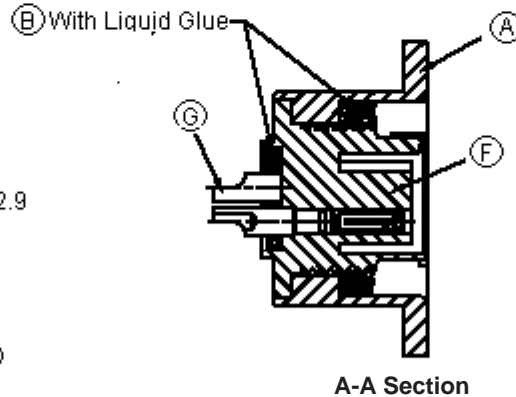
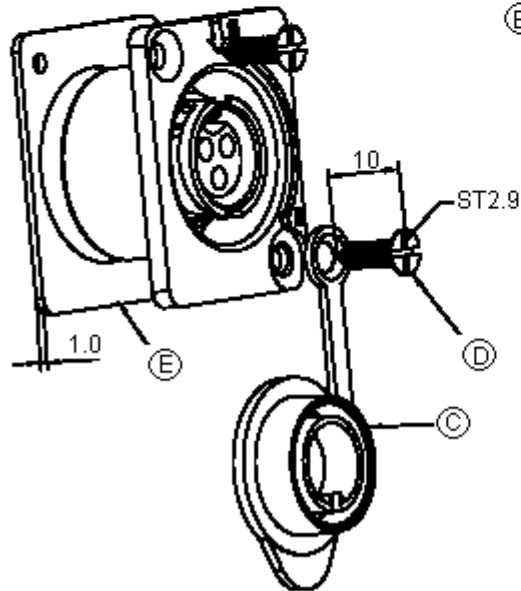
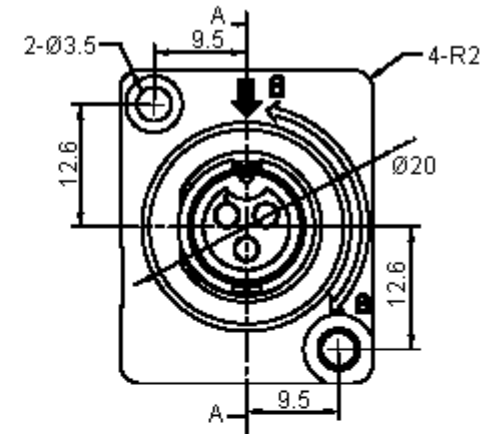
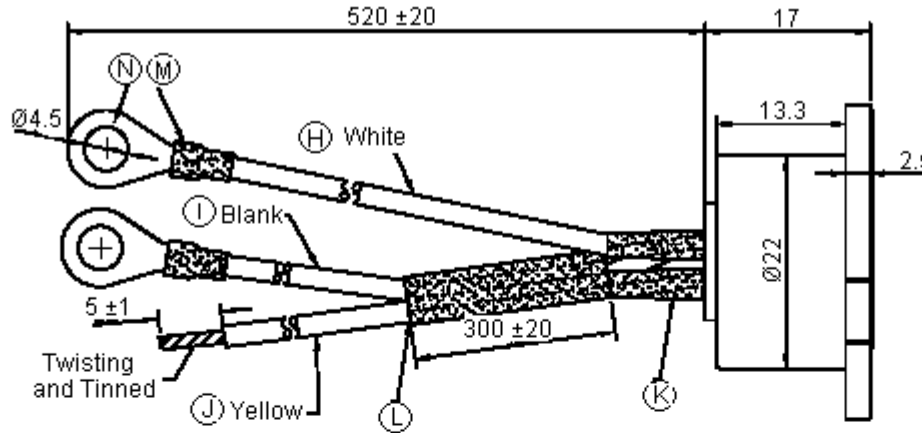
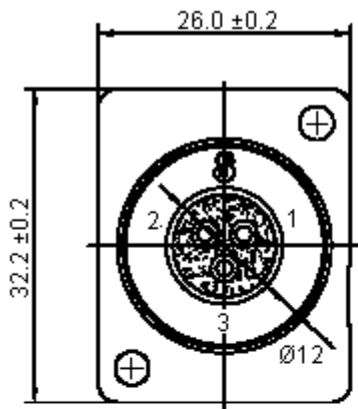


PART NO.

2CT3020-W034A1

REVISIONS

ECN #	REV	DESCRIPTION	DRAWN	DATE	CHECKD	DATE	APPRVD	DATE
-	A	RELEASED	Veena	15/4/10	Jagan	15/4/10		29/4/10



Dimensions : Millimetres

**Important Notice :** This data sheet and its contents (the "Information") belong to the members of the Premier Farnell group of companies (the "Group") or are licensed to it. No licence is granted for the use of it other than for information purposes in connection with the products to which it relates. No licence of any intellectual property rights is granted. The Information is subject to change without notice and replaces all data sheets previously supplied. The Information supplied is believed to be accurate but the Group assumes no responsibility for its accuracy or completeness, any error in or omission from it or for any use made of it. Users of this data sheet should check for themselves the Information and the suitability of the products for their purpose and not make any assumptions based on information included or omitted. Liability for loss or damage resulting from any reliance on the Information or use of it (including liability resulting from negligence or where the Group was aware of the possibility of such loss or damage arising) is excluded. This will not operate to limit or restrict the Group's liability for death or personal injury resulting from its negligence. Multicomp is the registered trademark of the Group. © Premier Farnell plc 2011.

**TOLERANCES:**  
UNLESS OTHERWISE SPECIFIED, DIMENSIONS ARE FOR REFERENCE PURPOSES ONLY.

DRAWN BY:	DATE:
Veena	15/04/10
CHECKED BY:	DATE:
Jagan	15/04/10
APPROVED BY:	DATE:
	29/04/10

DRAWING TITLE:			
Panel Mount Socket - 10A, IP55, 3 Way			
SIZE	DWG NO.	ELECTRONIC FILE	REV
A	M10002649	1860737	A
SCALE: NTS		U.O.M.: mm	SHEET: 1 OF 2



PART NO.

2CT3020-W034A1

REVISIONS

ECN #	REV	DESCRIPTION	DRAWN	DATE	CHECKD	DATE	APPRVD	DATE
-	A	RELEASED	Veena	15/4/10	Jagan	15/4/10		29/4/10

Specifications:

Waterproof rate : IP55.

Electrical characteristics

Temperature range : -20°C to +80°C.

Current rating : 10A.

Dielectric withstanding voltage : 1000V AC for one minute.

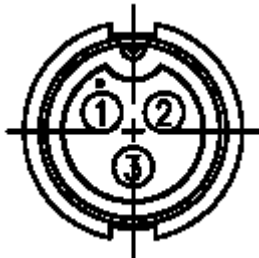
The torque of screwing 3.5 KGF maximum.

After 5000 cycles life test of dust cap without any fractures or cracks of the bad situation.

Specification Table

No.	Description	Material	Plating and Colour
A	Housing	Nylon + GF	Black
B	Liquid Glue	-	
C	Dust Cap	Hytrek 4056	
D	Screw	Stainless Steel	N/A
E	Gasket	EPDM 70°	Black
F	Panel Body	Nylon + GF	
G	Female Pin	Phosphor Bronze	1µ inches Gold Plating Over Nickel Plating
H	Wire	18AWG L : 520	White
I			Black
J			Yellow
K	Shrink Tube	Ø3 x 10 mm	Black
L		Ø6 x 300 mm	
N		Ø4 x 15 mm	
M	Terminal	Ø4.5 x Ø8	Tin Plating

PIN Assignments  
Front View



Wire Colour	Conn.
White	1
Black	2
Yellow	3

Part Number Table

Description	Part Number
Socket, Square Panel, 10A, 3 Way, IP55	2CT3020-W034A1

<http://www.farnell.com>

<http://www.newark.com>

<http://www.element14.com>

**Important Notice :** This data sheet and its contents (the "Information") belong to the members of the Premier Farnell group of companies (the "Group") or are licensed to it. No licence is granted for the use of it other than for information purposes in connection with the products to which it relates. No licence of any intellectual property rights is granted. The Information is subject to change without notice and replaces all data sheets previously supplied. The Information supplied is believed to be accurate but the Group assumes no responsibility for its accuracy or completeness, any error in or omission from it or for any use made of it. Users of this data sheet should check for themselves the Information and the suitability of the products for their purpose and not make any assumptions based on information included or omitted. Liability for loss or damage resulting from any reliance on the Information or use of it (including liability resulting from negligence or where the Group was aware of the possibility of such loss or damage arising) is excluded. This will not operate to limit or restrict the Group's liability for death or personal injury resulting from its negligence. Multicomp is the registered trademark of the Group. © Premier Farnell plc 2011.

TOLERANCES:

UNLESS OTHERWISE SPECIFIED, DIMENSIONS ARE FOR REFERENCE PURPOSES ONLY.

DRAWN BY:

Veena

DATE:

15/04/10

CHECKED BY:

Jagan

DATE:

15/04/10

APPROVED BY:

29/04/10

DRAWING TITLE:

Panel Mount Socket - 10A, IP55, 3 Way

SIZE  
A

DWG NO.

M10002649

ELECTRONIC FILE

1860737

REV

A

SCALE: NTS

U.O.M.: mm

SHEET: 2 OF 2