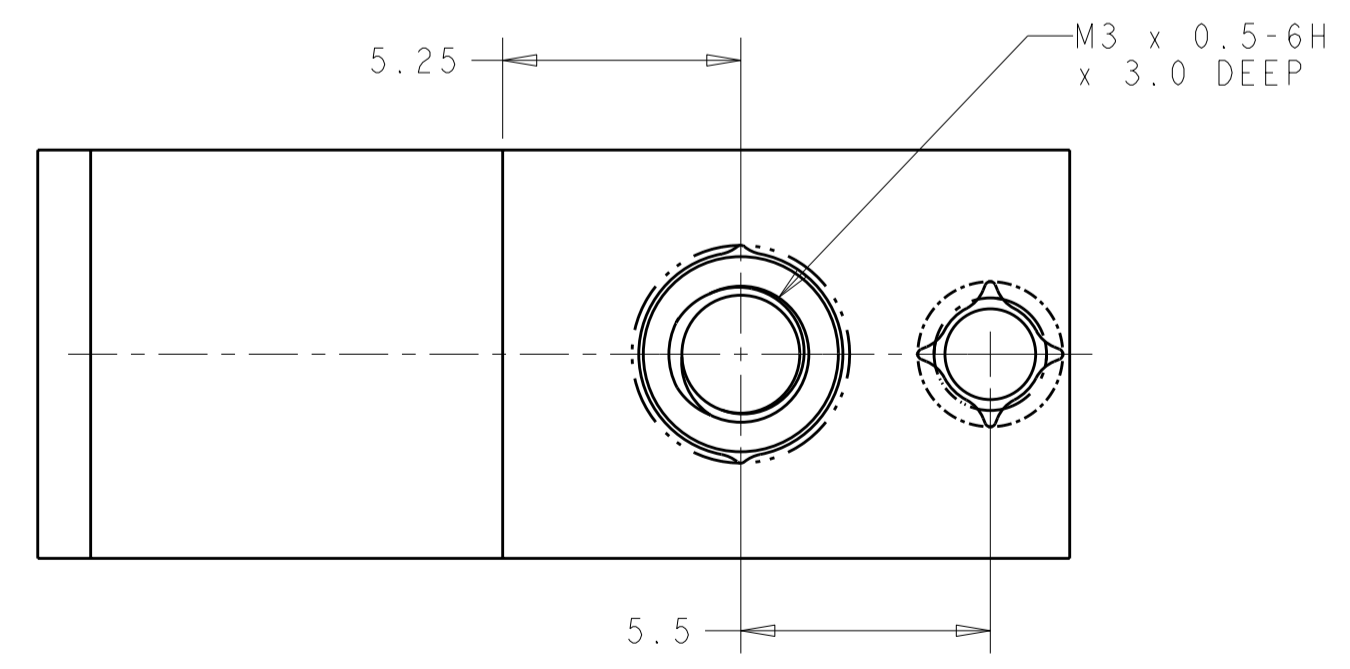
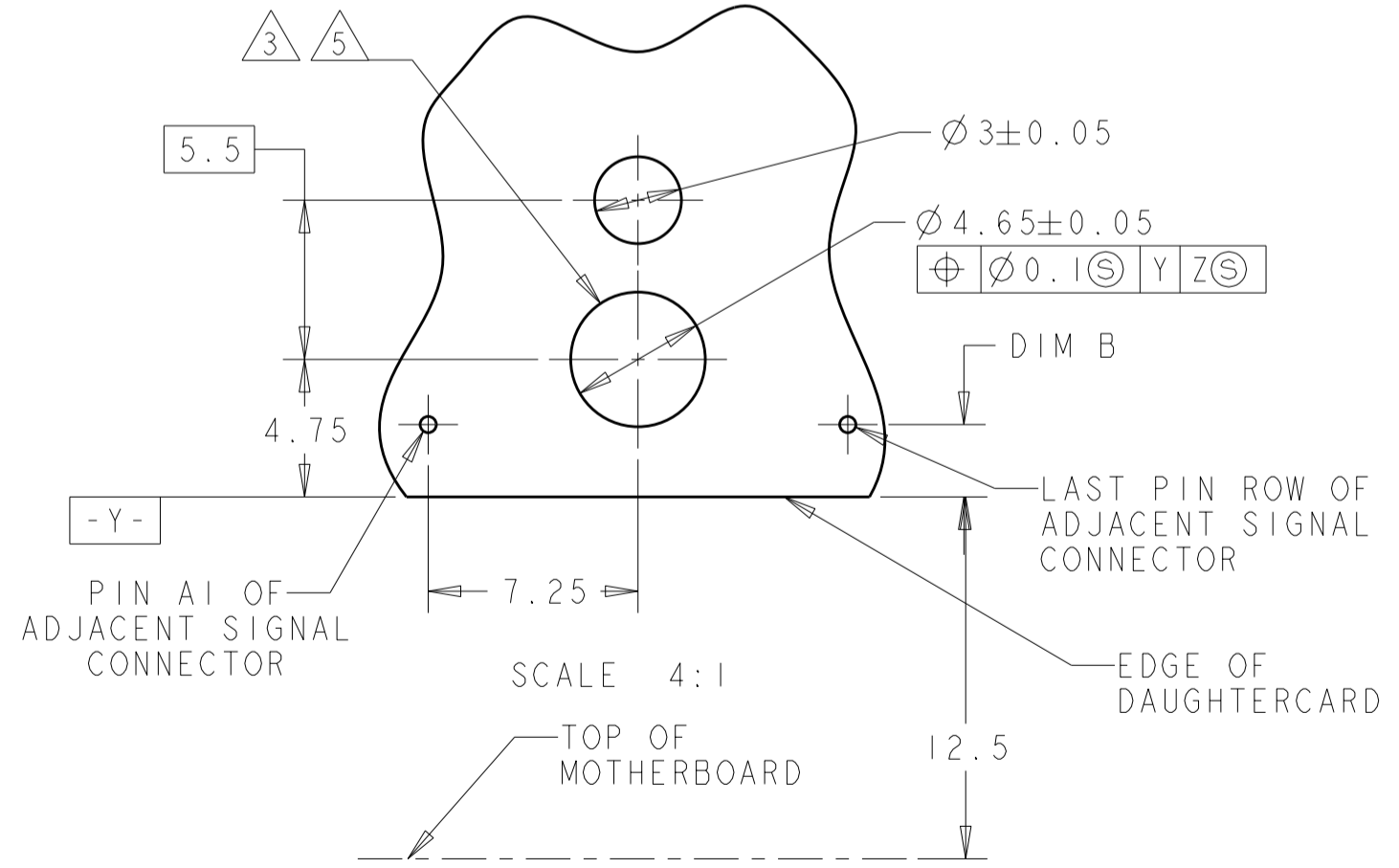
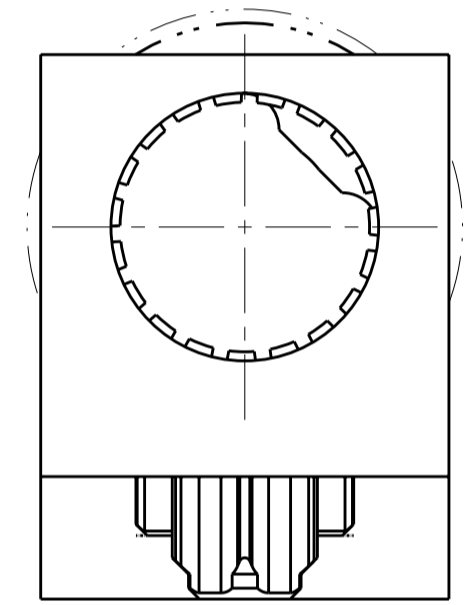
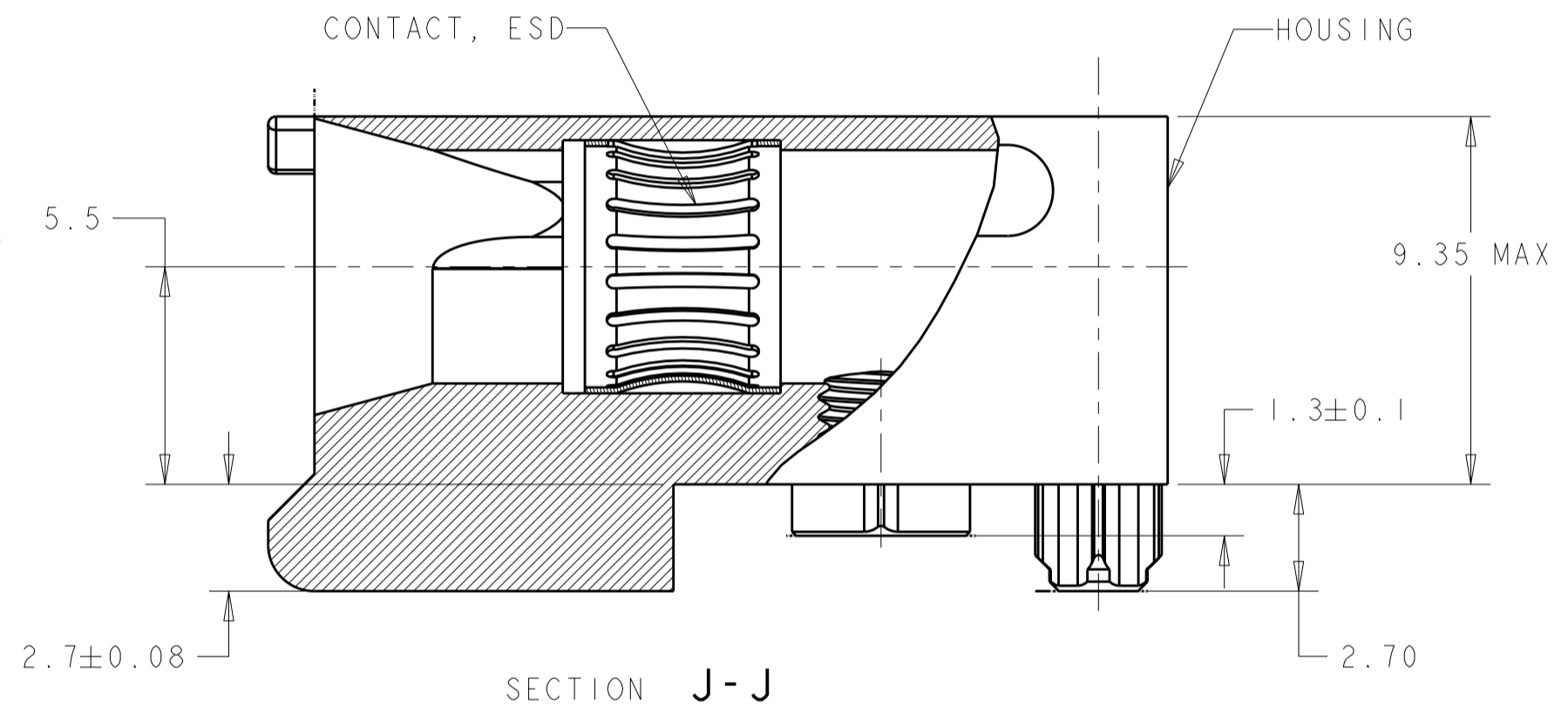
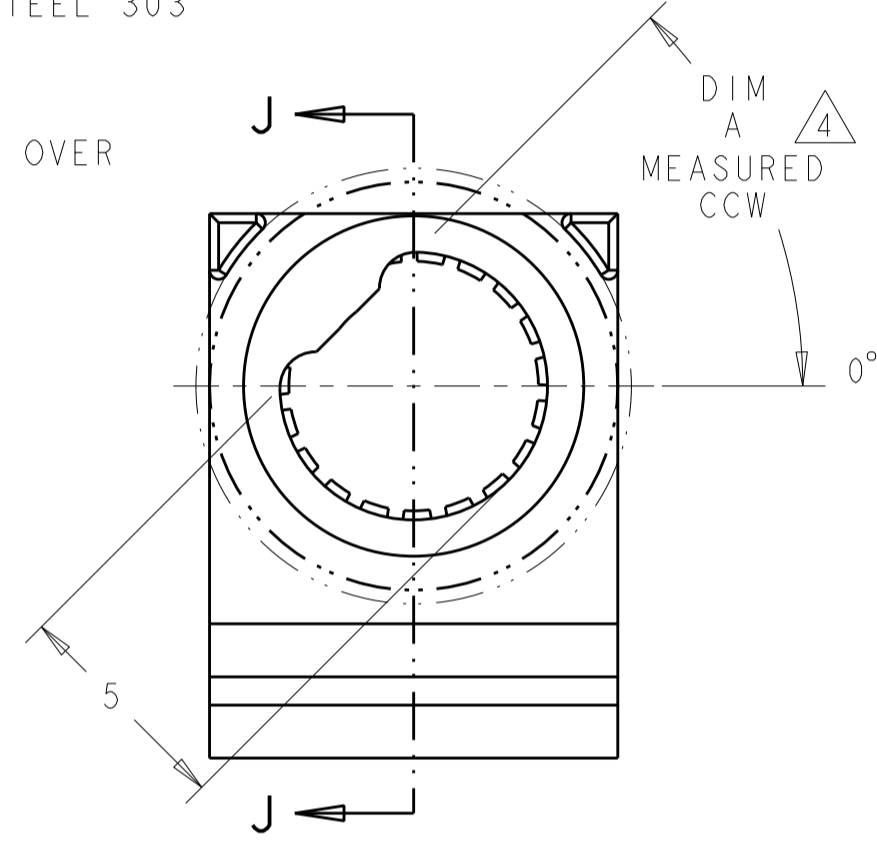
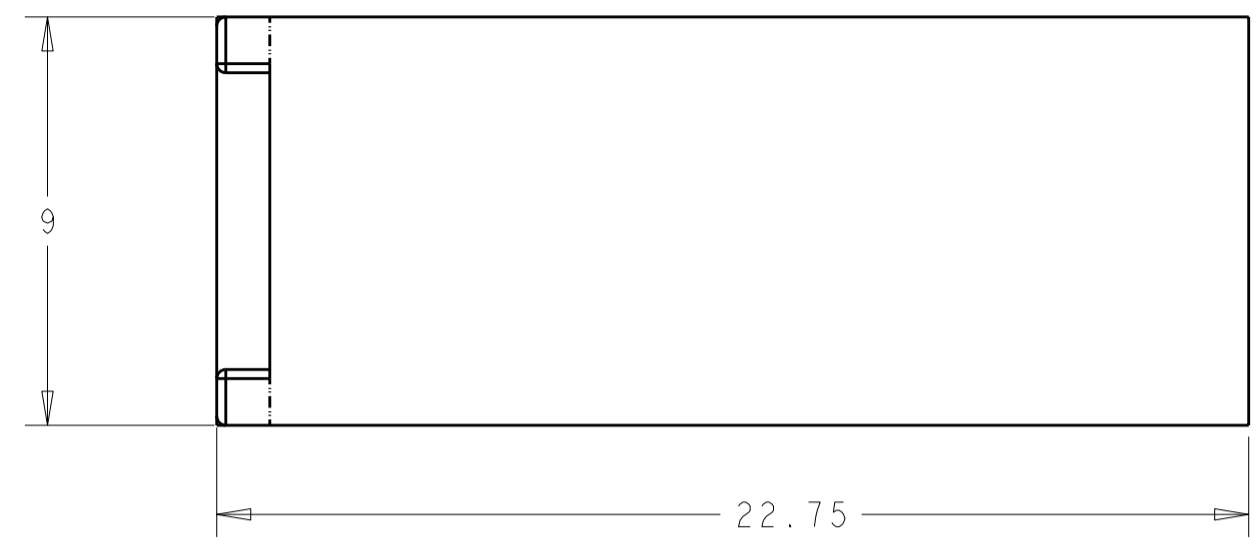


THIS DRAWING IS UNPUBLISHED. RELEASED FOR PUBLICATION 20
 © COPYRIGHT 20 BY - ALL RIGHTS RESERVED.

| LOC | | DIST | | REVISIONS | | | |
|-----|-----|-------------------------|-----------|-----------|------|--|--|
| P | LTR | DESCRIPTION | DATE | DWN | APVD | | |
| 1 | | PROPOSED | | | | | |
| 2 | | ADDITIONAL DASH NUMBERS | 03MAY2011 | AT | MRM | | |

- 1 MATERIAL: HOUSING: ALUMINUM 6061.
CONTACT: BeCu
- 2 FINISH:
HOUSING: 0.025 MIN ELECTROLESS NICKEL
PER AMS-C-26074, GRADE A, CLASS 4.

CONTACT: 1.27µm MIN Au OVER 1.02µm MIN
NICKEL.
- 3 HOLE FOR POSITIVE RETENTION SCREW.
- 4 DASH NUMBERS INDICATE KEY ORIENTATION
(P/N 2000713-2 SHOWN ON DRAWING)
- 5 GROUND PAD Ø5mm ON BOTH SIDE OF PCB.
- 6 GUIDE MODULE W/O KEYING
- 7 MATERIAL: HOUSING: STAINLESS STEEL 303
CONTACT: BeCu
- 8 FINISH: HOUSING: PASSIVATED.
CONTACT: 1.27µm MIN Au OVER
1.02µm MIN NICKEL.



| DIM A | PART NUMBER |
|-------|-------------|
| 7 | 1-2000713-2 |
| 7 | 1-2000713-1 |
| 7 | 1-2000713-0 |
| 7 | 2000713-9 |
| 7 | 2000713-8 |
| 7 | 2000713-7 |
| 1 | 2000713-6 |
| 1 | 2000713-5 |
| 1 | 2000713-4 |
| 1 | 2000713-3 |
| 1 | 2000713-2 |
| 1 | 2000713-1 |

| DIM B | PRODUCT |
|-------|----------------|
| 1.5 | TIER 2 (7-ROW) |
| 2.25 | TIER 2 |
| 2.5 | TIER 1 |

THIS PRINT IS
PRELIMINARY
 UNQUALIFIED PRODUCT
 CONTACT PRODUCT ENGINEERING
 BEFORE USING THIS PRINT

| DIMENSIONS: | | TOLERANCES UNLESS OTHERWISE SPECIFIED: | |
|-------------|--|--|-------|
| mm | | 0 PLC | ± |
| | | 1 PLC | ±0.5 |
| | | 2 PLC | ±0.13 |
| | | 3 PLC | ± |
| | | 4 PLC | ± |
| | | ANGLES | ±1 |
| | | FINISH | |

| DWN | | 10 JAN 2008 | |
|------------------|--|-------------|-----|
| BH | | CHK | MRM |
| MRM | | APVD | MRM |
| MRM | | 10 JAN 2008 | |
| PRODUCT SPEC | | - | |
| APPLICATION SPEC | | - | |
| WEIGHT | | - | |
| CUSTOMER DRAWING | | - | |



NAME MULTIGIG GUIDE MODULE/STANDOFF,
 RIGHT ANGLE, 20.3mm DAUGHTERCARD,

| SIZE | CAGE CODE | DRAWING NO | RESTRICTED TO |
|------|-----------|------------|---------------|
| A2 | 00779 | C-2000713 | - |