

MICRO SWITCH
a Honeywell Division
FED. MFG. CODE 91929

SWITCH - BASIC

CATALOG LISTING
1DP5

REPLACES X81778-DP

RELEASE NO. PR-13862

CATALOG LISTING
1DP5

ISSUE
M
3

REVISIONS
A CO-72328
DHD
27 JUL 92

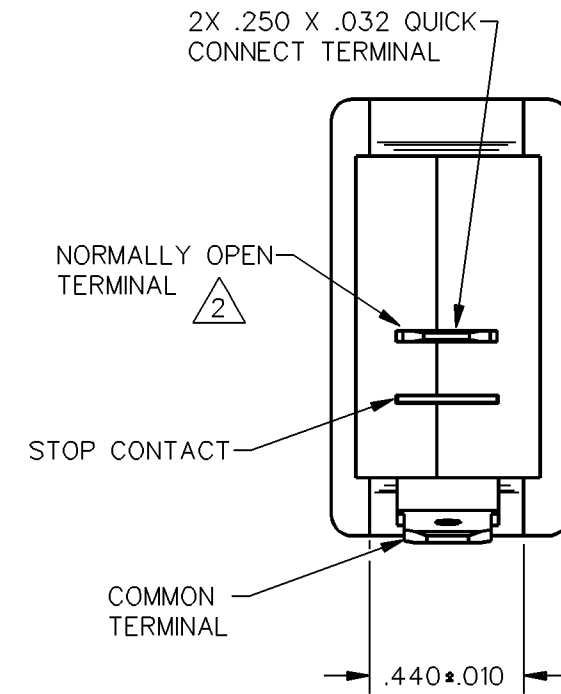
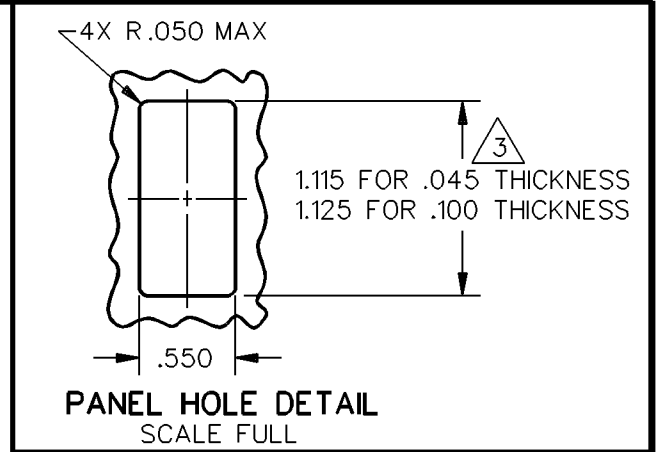
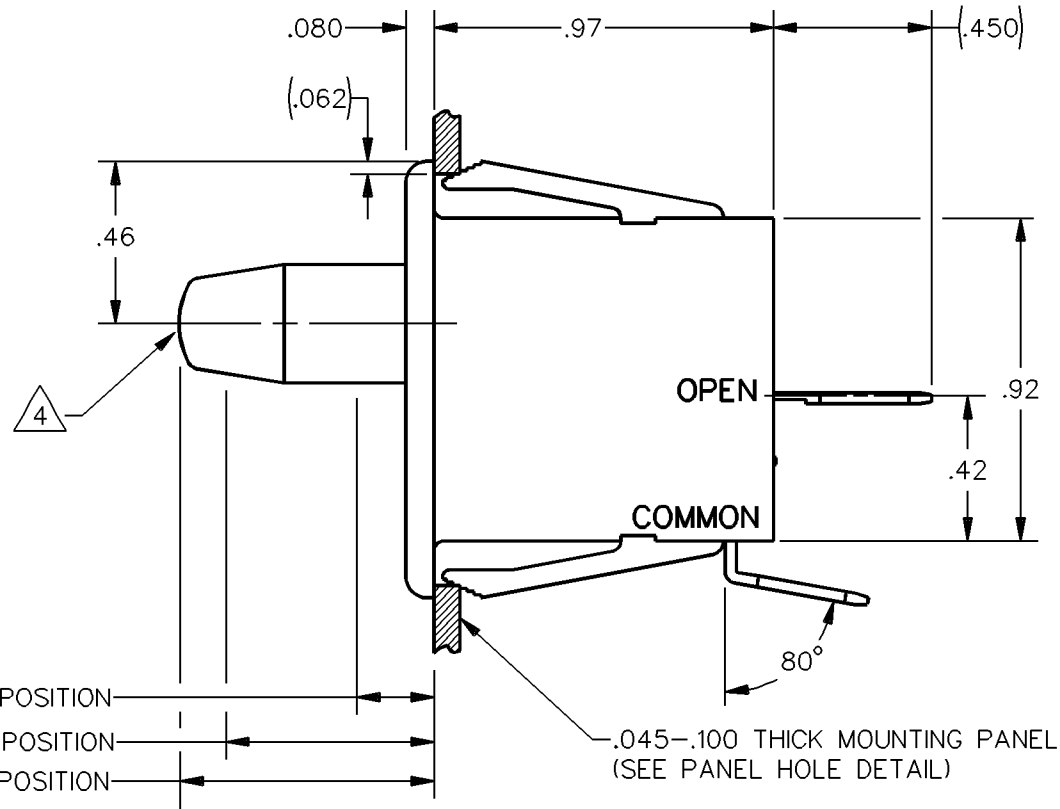
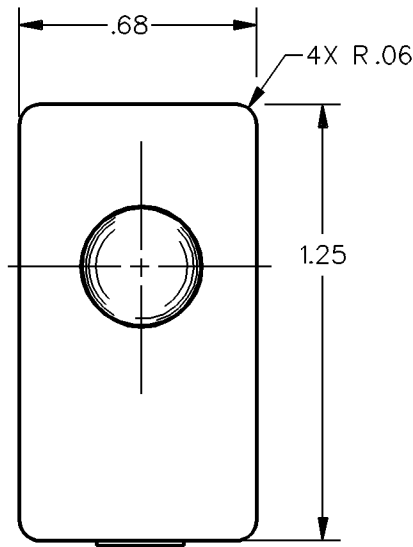
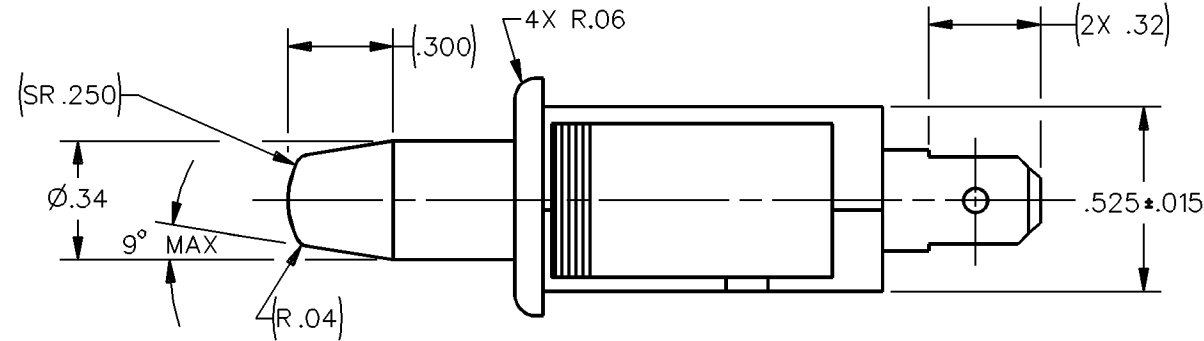
CHECK

CHECK

CHECK

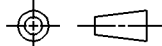
27 JUL 92
DHD

DDM/CAD
DRAWN



THIS DRAWING COVERS A PROPRIETARY ITEM AND IS THE PROPERTY OF MICRO SWITCH, A DIVISION OF HONEYWELL. THIS DRAWING IS NOT TO BE COPIED OR USED WITHOUT THE APPROVAL OF MICRO SWITCH

THIRD ANGLE PROJECTION



SCALE 2 TO 1

DO NOT SCALE PRINT

UNLESS OTHERWISE SPECIFIED TOLERANCES ARE

ONE PLACE (.0) ± .030
TWO PLACE (.00) ± .015
THREE PLACE (.000) ± .005
ANGLES ± 5°

WEIGHT

NOTES

- 1 - WHITE PLASTIC CASE AND PLUNGER
- 2 - FLAG STYLE QUICK CONNECT RECEPTACLE REQUIRED FOR NORMALLY OPEN TERMINAL IF SWITCH IS WIRED BEFORE MOUNTING
- 3 - NOMINAL CUTOUT DIMENSION FOR PANELS BETWEEN .045 AND .100 SHOULD BE INTERPOLATED BETWEEN 1.115 AND 1.125
- 4 - PUSH TO OPERATE - MOMENTARY

CHARACTERISTICS	ELECTRICAL DATA
OPERATING FORCE - - - - - 16 OZ MAX	CONTACT ARRANGEMENT S P N O
RELEASE FORCE - - - - - 3 OZ MIN	14A 3/4HP 125, 250 VAC PILOT DUTY: 150 VA 125, 250 VAC
OVERTRAVEL - - - - - .375 MIN	

CHARACTERISTICS	ELECTRICAL DATA
OPERATING FORCE - - - - - 16 OZ MAX	CONTACT ARRANGEMENT S P N O
RELEASE FORCE - - - - - 3 OZ MIN	14A 3/4HP 125, 250 VAC PILOT DUTY: 150 VA 125, 250 VAC
OVERTRAVEL - - - - - .375 MIN	



ANSI Y14.5M-1982 APPLIES