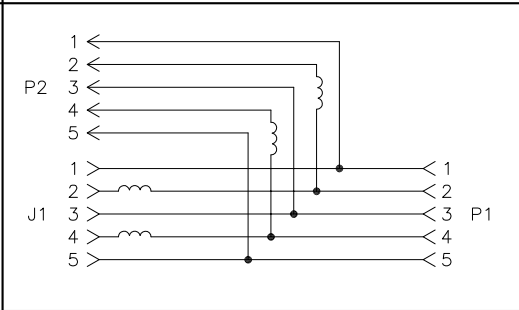
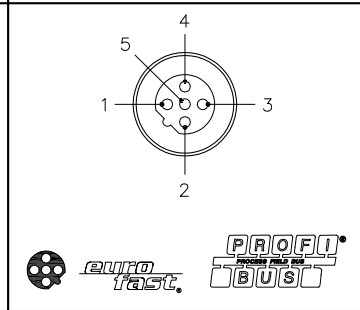
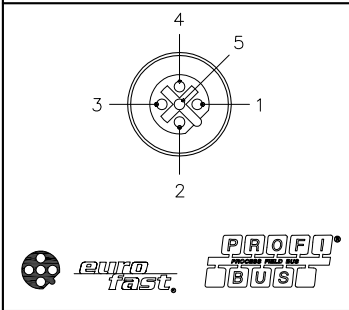


FEMALE END VIEW (J1)

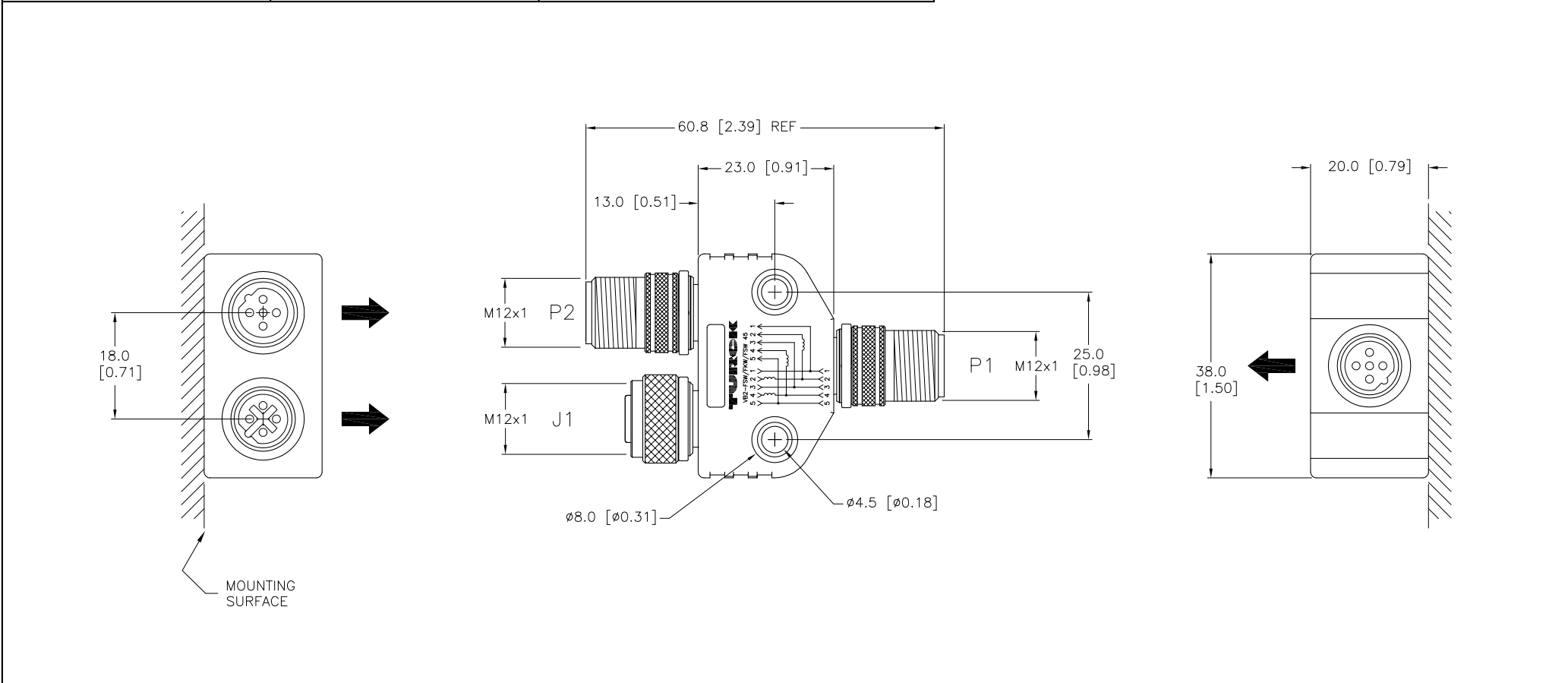
MALE END VIEW (P1,P2)

WIRING DIAGRAM

SPECIFICATIONS



CONTACT CARRIER MATERIAL/COLOR	NYLON OR TPU/BLACK
MOLDED HEAD MATERIAL/COLOR	TPU/BLACK
CONTACT MATERIAL/PLATING	BRASS/GOLD
COUPLING NUT MATERIAL/PLATING	BRASS/NICKEL
RATED CURRENT [A]	150 mA (PINS 2,4), 4.0 A (PINS 1,3,5)
RATED VOLTAGE [V]	150 V (PINS 2,4), 250 V (PINS 1,3,5)
TEMPERATURE RATING	-40°C to +105°C (-40°F to +221°F)
PROTECTION CLASS	MEETS IEC IP60
RIGHT-ANGLE CORDSET DIRECTION SYMBOL	←



RELATED DOCUMENTS 1. 2. 3. 4.	3RD ANGLE PROJECTION 	THIS DRAWING IS PROPERTY OF TURCK INC. USE OF THIS DOCUMENT WITHOUT WRITTEN PERMISSION IS PROHIBITED.		TURCK INC High Technology Sensors and Automation Controls 3000 CAMPUS DRIVE MINNEAPOLIS, MN 55441 1-800-544-7769 (763) 553-7300 (763) 553-0708 fax turck.com	
	MATERIAL	DRFT CBM	DATE 12/18/98	DESCRIPTION VB2-FSW/FKW/FSW 45	
FINISH	ALL DIMENSIONS DISPLAYED ON THIS DRAWING ARE FOR REFERENCE ONLY	DSGN GC	SCALE 1=1.0	IDENTIFICATION NO. U0095-2	
CONTACT TURCK FOR MORE INFORMATION		UNIT OF MEASUREMENT MILLIMETER [INCH]		REV G	
DO NOT SCALE THIS DRAWING		FILE: U0095-2		SHEET 1 OF 1	

G	DRAWING PROCESSED AS PART OF ECO 33971	CBM	04/07/11	33971
REV	DESCRIPTION	BY	DATE	ECO NO.